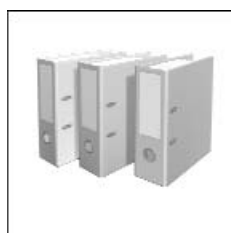


MAX GAS 170 P
MAX GAS 250 P



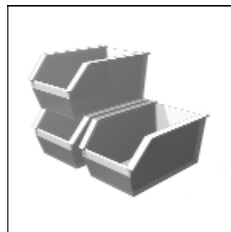
Technical data
Dati tecnici
Données techniques
Datos técnicos
Технические характеристики



Operating instructions
Istruzioni per l'uso
Notice d'emploi
Manual de uso
Руководство по эксплуатации



Electric diagrams
Schemi elettrico
Schémas électrique
Esquemas eléctrico
Электрические схемы



Spare parts list
Parti ricambi
Pièces de rechange
Piezas de recambio
Запчасти



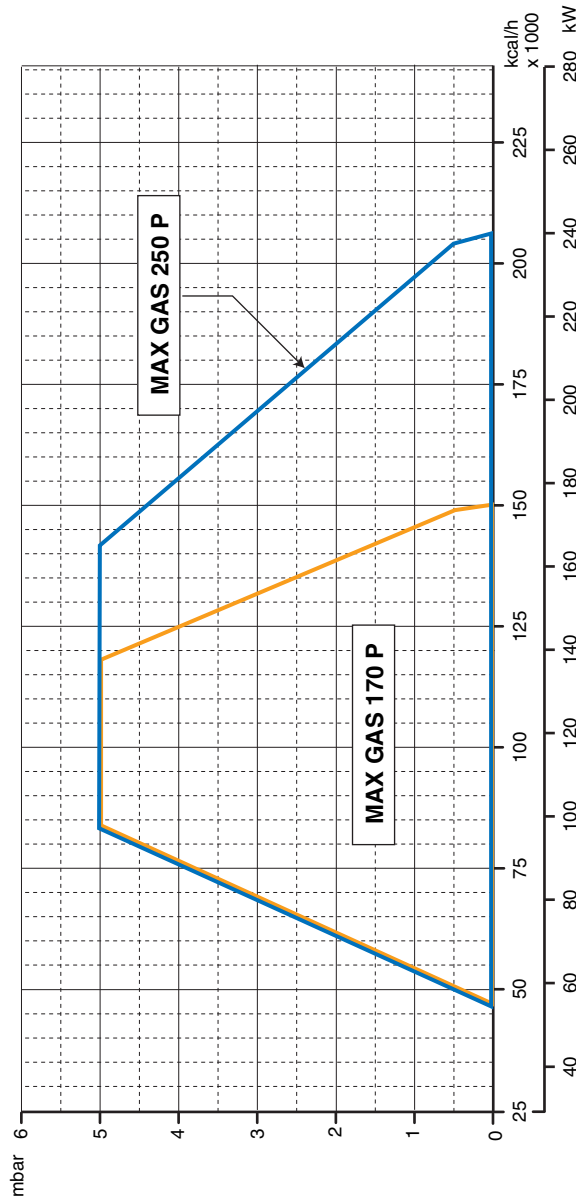
420010372902

MAX GAS 170 LN P TC SGT 230-50 TW	3142749
MAX GAS 170 LN P TL SGT 230-50 TW	3142750
MAX GAS 250 LN P TC SGT 230-50 TW	3142751
MAX GAS 250 LN P TL SGT 230-50 TW	3142752

Overview - Index of contents / Panoramica - Indice dei contenuti / Vue d'ensemble - Table des matières
Descripción - Sumario / Обзор - Содержание

<p>Technical data Dati tecnici Données techniques Datos técnicos Технические характеристики</p>	<p>EN IT FR ES RU</p>	<p>3</p>
<p>Working fields Campi di lavoro Domaine de fonctionnement Ámbito de funcionamiento Рабочий диапазон</p>	<p>EN IT FR ES RU</p>	<p>4</p>
<p>Dimensions Dimensioni Dimensions Dimensiones Размеры</p>	<p>EN IT FR ES RU</p>	<p>5</p>
<p>Operating instructions for authorised specialists</p>	<p>EN</p>	<p>6 - 15</p>
<p>Istruzione per l'uso per il personale qualificato</p>	<p>IT</p>	<p>16 - 25</p>
<p>Notice d'emploi pour l'installateur spécialiste</p>	<p>FR</p>	<p>26 - 35</p>
<p>Instrucciones de montaje para el instalador especialista</p>	<p>ES</p>	<p>36 - 45</p>
<p>Инструкция по эксплуатации для квалифицированных специалистов</p>	<p>RU</p>	<p>46 - 55</p>
<p>Gas pressure diagrams Diagrammi di pressione gas Diagrammes de pression de gaz Diagramas de presión de gas Диаграммы давления газа</p>	<p>EN IT FR ES RU</p>	<p>56 - 57</p>
<p>Electric diagrams Schemi elettrico Schémas électrique Esquemas eléctrico Электрические схемы</p>	<p>EN IT FR ES RU</p>	<p>58</p>
<p>Spare parts list Parti di ricambio Pièces de rechange Piezas de recambio Запчасти</p>	<p>EN IT FR ES RU</p>	<p>59- 61</p>

Technical data - Dati tecnici - Données techniques - Datos técnicos - Технические характеристики		MAX GAS 170 P		MAX GAS 250 P	
Burner output max/min kW - kcal/h	Potenza bruciatore max/min kW - kcal/h	Puissance du brûleur max/min kW - kcal/h	Potencia del quemador max/min kW - kcal/h	Мощность горелки макс./мин., кВт - ккал/ч	55 240 55
Operation 1 stage	Funzionamento 1 stadio	Fonctionnement 1 allure	Funcionamiento 1 etapa	Модификация 1 ступень	150.860 1
Regulating ratio	Rapporto di regolazione	Rapport de régulation	Relación de regulación	Коэффициент регулирования	1 1:1
Fuel	Combustibile	Fuel	Combustible	Топливо	Natural Gas (L.C.V. 8.570 kcal/Nm ³), LPG (L.C.V. 22.260 kcal/Nm ³) (G20) Hu = 10,35 kWh/m ³ - (G25) Hu = 8,83 kWh/m ³ (G31) Hu = 25,89 kWh/m ³
Emission class	Classe di emissione	Classe d'émission	Tipo de emisión	Класс выделения загрязняющих веществ	Standard Class 3 - GAS EN676 (<80mg/kWh)
Control box	Apparecchiatura di controllo	Coffret de sécurité	Cajetín de seguridad	Блок управления и безопасности	THERMOWATT E-BCU GAS
Gas train	Rampa gas	Rampe gaz	Rampa de gas	Газовая рампа	GAS TRAIN TABLE - DIFFERENT MODELS / CONFIGURATIONS
Gas connection	Allacciamento gas	Raccordement gaz	Conexión de gas	Подсоединение газа	Rp 20 1/2" - Rp 40 1"1/2
Gas input pressure	Pressione di ingresso gas	Pression d'entrée du gaz	Presión de entrada del gas	Давление газа на входе	12-360 mbar (SEE GAS TRAIN MATCHING TABLE)
LPG input pressure	Pressione di ingresso LPG	Pression d'entrée du gaz propane	Presión de entrada LPG	Давление LPG на входе	16-360 mbar (SEE GAS TRAIN MATCHING TABLE)
Air regulation Air flap	Regolazione aria Serranda dell'aria	Réglage de l'air Volet d'air	Ajuste del aire Válvula de aire	Настройка подачи воздуха Воздушная заслонка	-
Flame monitor	Rivelatore di fiamma	Surveillance de flamme	Vigilancia de llama	Контроль пламени	ionization
Ignition transformer	Trasformatore d'accensione	Allumeur	Encendedor	Устройство розжига	danfoss / cofi
Electric motor rpm - watt	Motore elettrico giri motore - watt	Moteur rpm - watt	Motor rpm - watt	Электродвигатель об/мин - watt	2800 rpm 200 W
Voltage	Tensione	Tension	Tensión	Напряжение	230 V / 50 Hz
Power consumption (operation)	Potenza elettrica assorbita (Esercizio)	Puissance électrique absorbée (en service)	Potencia eléctrica absorbida (en funcionamiento)	Потребляемая электрическая мощность: (при работе)	380 W 400 W
Weight	Peso	Poids	Peso	Приблизительный вес	11,5 kg 11,5 kg
Protection level	Classe di protezione	Indice de protection	Indice de protección	Класс электрозащиты	IP40
Sound pressure level dB(A)	Livello pressione sonora dB(A)	Niveau pression acoustique dB(A)	Niveau pression acoustique dB(A)	Уровень шума, dB(A)	70 70
Ambient temp. for storage	Temperatura ambiente di stoccaggio	Température ambiente de stockage	Temperatura ambiente de almacenamiento	Температура хранения	-20°...+70° C
Temperature for use	Temperatura d'utilizzazione	Température d'utilisation	Temperatura ambiente de utilización	Рабочая температура	-10°...+60° C



Working field

The working field shows burner output as a function of combustion chamber pressure. It corresponds to the maximum values specified by EN 267 measured at the test fire tube.

The efficiency rating of the boiler should be taken into account when selecting a burner.

Calculation of burner output:

$$QF = \frac{Q_N}{\eta_K}$$

QF = Burner output (kW)

Q_N = Rated boiler output (kW)

η_K = Boiler efficiency (%)

Curva

Il campo di attività indica la potenza del bruciatore in funzione della pressione della camera di combustione.

Corrisponde ai valori massimi previsti dalla norma EN 267 misurati sul tubo della fiamma di controllo.

In occasione della scelta del bruciatore si deve tenere conto del rendimento energetico della caldaia.

Calcolo della potenza della caldaia:

$$QF = \frac{Q_N}{\eta_K}$$

QF= potenza della caldaia (kW)

Q_N= potenza nominale della

caldaia (kW)

η_K = rendimento energetico della caldaia (%)

Domaine de fonctionnement

Le domaine de fonctionnement correspond aux valeurs mesurées lors de l'homologation.

Elle correspond aux valeurs max mesurées sur tunnel d'essai d'après l'EN 267.

Pour le choix du brûleur, tenir compte du rendement de la chaudière.

Calcul de la puissance calorifique:

$$QF = \frac{Q_N}{\eta_K}$$

QF= Puissance calorifique (kW)

Q_N= Puissance nominale

chaudière (kW)

η_K = Rendement chaudière (%)

Ámbito de funcionamiento

El ámbito de funcionamiento corresponde a los valores registrados en el momento de la homologación.

Corresponde a los valores máx medidos en el túnel de ensayo según la EN 267.

Para la elección del quemador, se ha de tener en cuenta el rendimiento de la caldera.

Cálculo de la potencia calorífica:

$$QF = \frac{Q_N}{\eta_K}$$

QF = Potencia calorífica (kW)

Q_N = Potencia nominal

de la caldera (kW)

η_K = Rendimiento de la caldera (%)

Рабочий диапазон

Рабочий диапазон показывает производительность горелки в зависимости от давления в топочной камере.

Он соответствует максимальным значениям согласно EN 267, измеренным в контрольной топочной камере.

При выборе горелки необходимо учитывать КПД котла.

Расчет тепловой мощности:

$$QF = \frac{Q_N}{\eta_K}$$

QF = Тепловая мощность, кВт

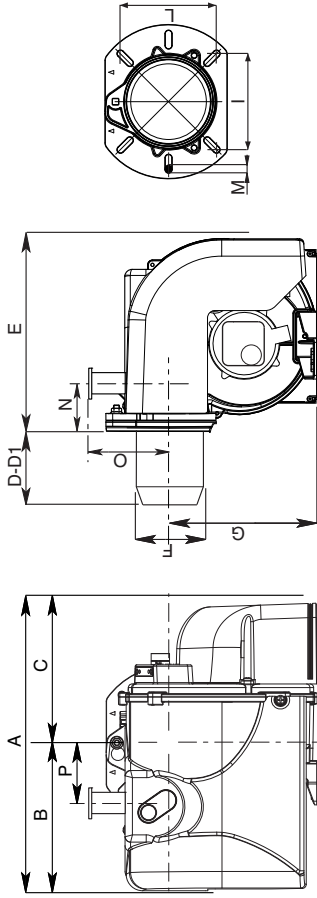
Q_N= Номинальная мощность

котла, кВт

η_K = КПД котла, %

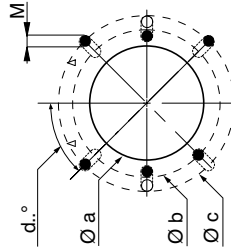
Overview - Dimensions / Panoramica - Dimensioni / Vue d'ensemble - Dimensions / Descripción - Dimensiones / Обзор - Размеры

MAX GAS 170-250 P



Model	A	B	C	D	D1	E	F	G	I	L	M	N	O	P
MAX GAS 170 P	392	202	190	180	280	280	125	201	106/130	106/130	M8	73	110	104
MAX GAS 250 P	392	202	190	180	280	280	125	201	106/130	106/130	M8	73	110	104

MAX GAS 170-250

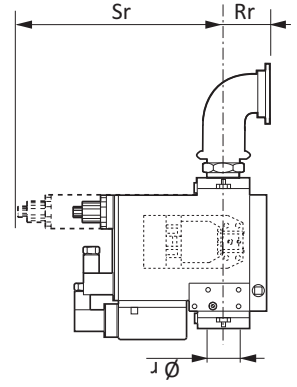
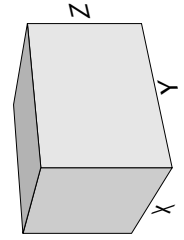


Boiler plate drilling

Model	Ø a	Ø b	Ø c	d°..
MAX GAS 170 P	135	153	190	45°
MAX GAS 250 P	135	153	190	45°

Packaging

Model	X	Y	Z	kg
MAX GAS 170 P	380	500	680	14,5
MAX GAS 250 P	380	500	680	14,5



GAS TRAIN DIMENSIONS:
refer to GT manual

Contents - Index - General warnings - Conformity declaration

Overview	Technical data	3
	Working fields	4
	Dimensions	5
Contents	Index	6
	General warnings	6
	Conformity declaration	6
	Burner description	7
Function	General safety functions	8
	E-BCU GAS control and safety unit	9
Installation	Burner assembly	10
	Electrical connection	11
	Checks before commissioning	11
Start up	Adjusting burner output	12
	Air pressure switch adjustment - setting gas pressostat	13
Service	Maintenance	14
	Troubleshooting	15
Overview	Gas pressure diagrams	56-57
	Electrical diagrams	58
	Spare parts list	59-61

Declaration of conformity for gas burners

We,
Ecoflam Bruciatori S.p.A.

declare under our sole responsibility that the gas burners named

MAX GAS

conform to the following standards:

EN 676: 2008
EN 60335-1: 2008
EN 60335-2-30: 2006
EN 60335-2-102: 2007
EN 55014-1: 2008 + A1: 2009
EN 55014-2: 1998 + A1: 2001 + A2: 2008

These products bear the CE mark in accordance with the stipulations of the following directives:

2009/142/EEC Gas Appliance Directive
2006/95/EEC Low Voltage Directive
2004/108/EEC EMC Directive
2006/42/EC Machinery directive

Resana, 28th June 2011
M. PANIZZON

Important notes

MAX GAS 170-250 P burners are designed for the low-pollutant combustion of natural gas and Liquefied Petroleum Gas. The design and function of the burners comply with standard EN676. Assembly and commissioning must be carried out only by authorised specialists and all applicable guidelines and directives must be observed.

Burner description

MAX GAS 170-250 P are single-stage, fully automatic, monoblock type burners. The special design of the burner head provides low-polluting combustion with high efficiency. In line with testing as defined by EN676, the values comply with emissions class 3 (NO_x<80mg/kWh) Emissions values may differ, depending on combustion chamber dimensions, combustion chamber load and the firing system (three-pass boilers, boilers with reverse firing). They are suitable for use with all heat generators complying with EN 303 or for use with hot air generators complying with DIN 4794, and DIN 30697 within their respective performance range.

Use for any other application requires the approval of Ecoflam.

The following standards should be observed in order to ensure safe, environmentally sound and energy-efficient operation:

EN 676

Forced-draught gas burners

EN 226

Connection of fuel oil and forced-draught gas burners to a heat generator.

EN 60335-1, -2-102

Specification for safety of household and similar electrical appliances, particular requirements for gas burning appliances.

Installation location

The burner must not be operated in rooms containing aggressive vapours (e.g. spray, perchloroethylene, hydrocarbon tetrachloride, solvent, etc.) or tending to heavy dust formation or high air humidity. Adequate ventilation must be provided at the place of installation of the furnace system to ensure a reliable supply with combustion air.

Variations may arise as a result of local regulations.

We can accept no warranty liability whatsoever for loss, damage or injury caused by any of the following:

- Inappropriate use.
- Incorrect assembly or repair by the customer or any third party, including the fitting of non-original parts.

Provision of the system and the operating instructions

The firing system manufacturer must supply the operator of the system with operating and maintenance instructions on or before final delivery. These instructions should be displayed in a prominent location at the point of installation of the heat generator, and should include the address and telephone number of the nearest customer service centre.

Notes for the operator

The system should be inspected by a specialist at least once a year. It is advisable to take out a maintenance contract to guarantee regular servicing.

Ecoflam burners have been designed and built in compliance with all current regulations and directives.

All burners comply to the safety and energy saving operation regulations within the standard of their respective performance range. The quality is guaranteed by a quality and management system certified in accordance with ISO 9001:2008.



Contents - Burner description

MAX GAS 170 LN P TC SGT 230-50 TW

RANGE NAME BY FUEL TYPE

MAX GAS Gas

MODEL SIZE (Gas: kW; Oil: kg/h)

MAX GAS 170 175 kW

EMISSION COMBUSTION TYPE

LN Low NOx Class 3 GAS EN676 (<80 mg/kWh)
 - Standard Class 2-GAS EN676 (<120 mg/kWh)

OPERATION TYPE

P 1 stage

HEAD TYPE

TC Short head
TL Long head

FUEL

LN Natural gas
LPG LPG

EQUIPMENT

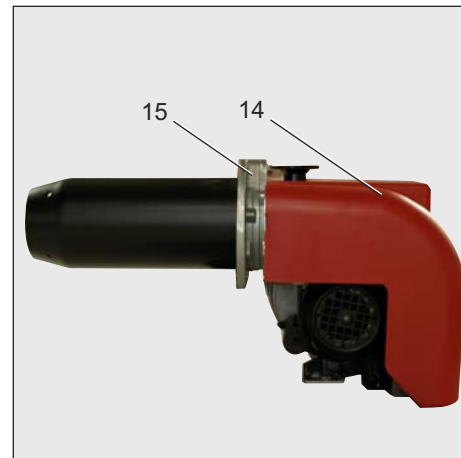
SGT Separate gas train

ELECTRICAL SUPPLY TO THE SYSTEM

230-50 230 Volt, 50 Hz

CONTROL BOX

TW Thermowatt



- A1 E-BCU Gas control unit
- F6 Air pressure switch
- M1 Electric motor
- T1 Ignition transformer
- Y Graduated rod for head adjustment
- 3 Air regulation in the burner head
- 5 Housing
- 8 Blast tube
- 10 Wieland socket
- 14 Burner hood
- 15 Burner flange
- 16 Reset key
- 17 Measuring point for gas pressure
- 103B Air regulation
- 113 Air intake

Scope of delivery

The burner is delivered in a modular system of packagings i.e. separate set/box:

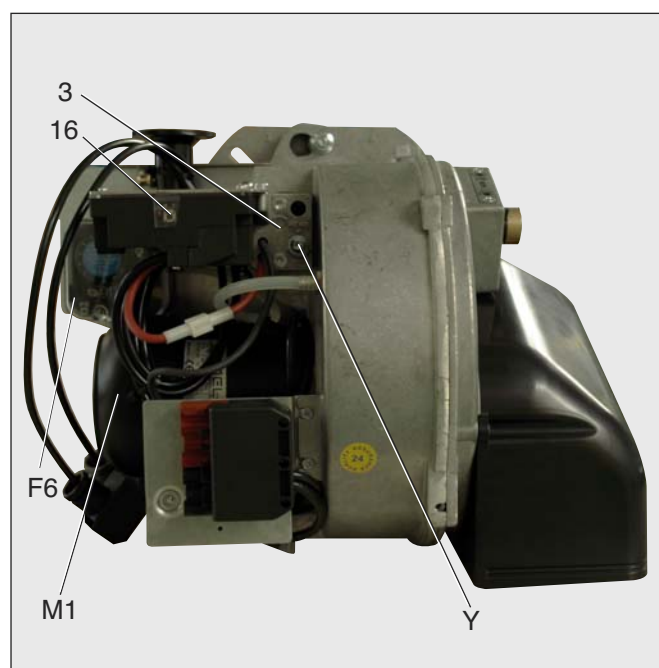
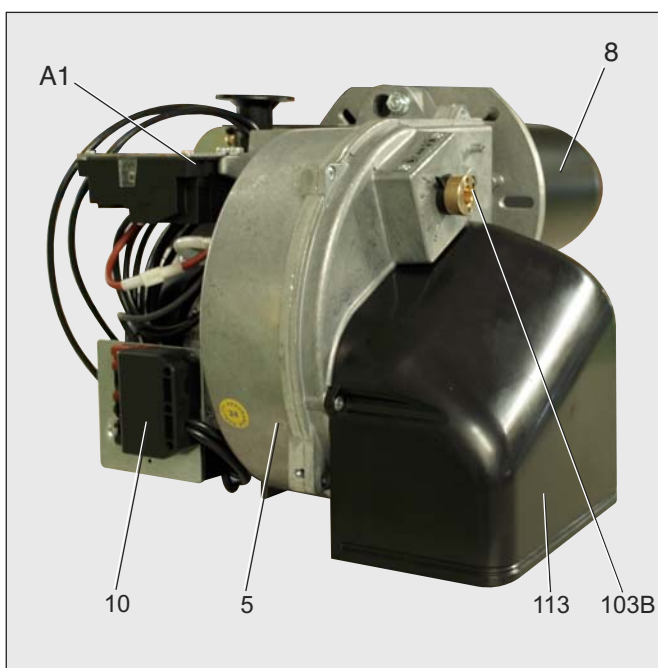
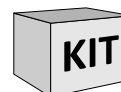
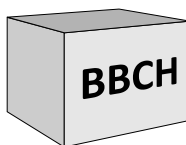
BBCH: Burner Body with Combustion Head with flange.

- 1 bag including :- multilanguage technical manual.
- wieland plug.
- spanner.
- screws, nuts and washer.

GT: separate Gas Train

KIT & ACS are managed and delivered separately

KIT & ACS delivered separately



Function - General safety functions

Description of functions

When the system is switched on for the first time, after a power failure or safety shutdown, after a lack of gas or after the system has been out of operation for 24 hours, the pre-ventilation period of 24 seconds begins.

During pre-purge period:

- blower pressure is monitored
- the combustion chamber is monitored for flame signals.

At the end of the pre-purge period:

- ignition is switched on.
- main and safety valve are opened.
- burner starts.

Monitoring

The flame is monitored by an ionisation probe. The probe is insulated and fitted to the gas head and is routed through the flame disc into the flame zone. The probe must not have any electrical contact with earthed parts. The burner switches to lock-out if a short circuit occurs between the probe and the burner earth.

During burner operation, an ionised zone is produced in the gas flame through which a rectified current flows from the probe to the burner head. The ionisation current must be at least 1,5 μ A.

Safety functions

- If no flame is produced when the burner is started (gas release), the burner will be switched off at the end of the safety period, lasting no more than 3 seconds, and the gas valve will close.
- If the flame goes out during operation, the gas supply is interrupted within one second. A restart takes place. Once the burner starts, operation is continued.

Otherwise, a safety lock-out occurs.

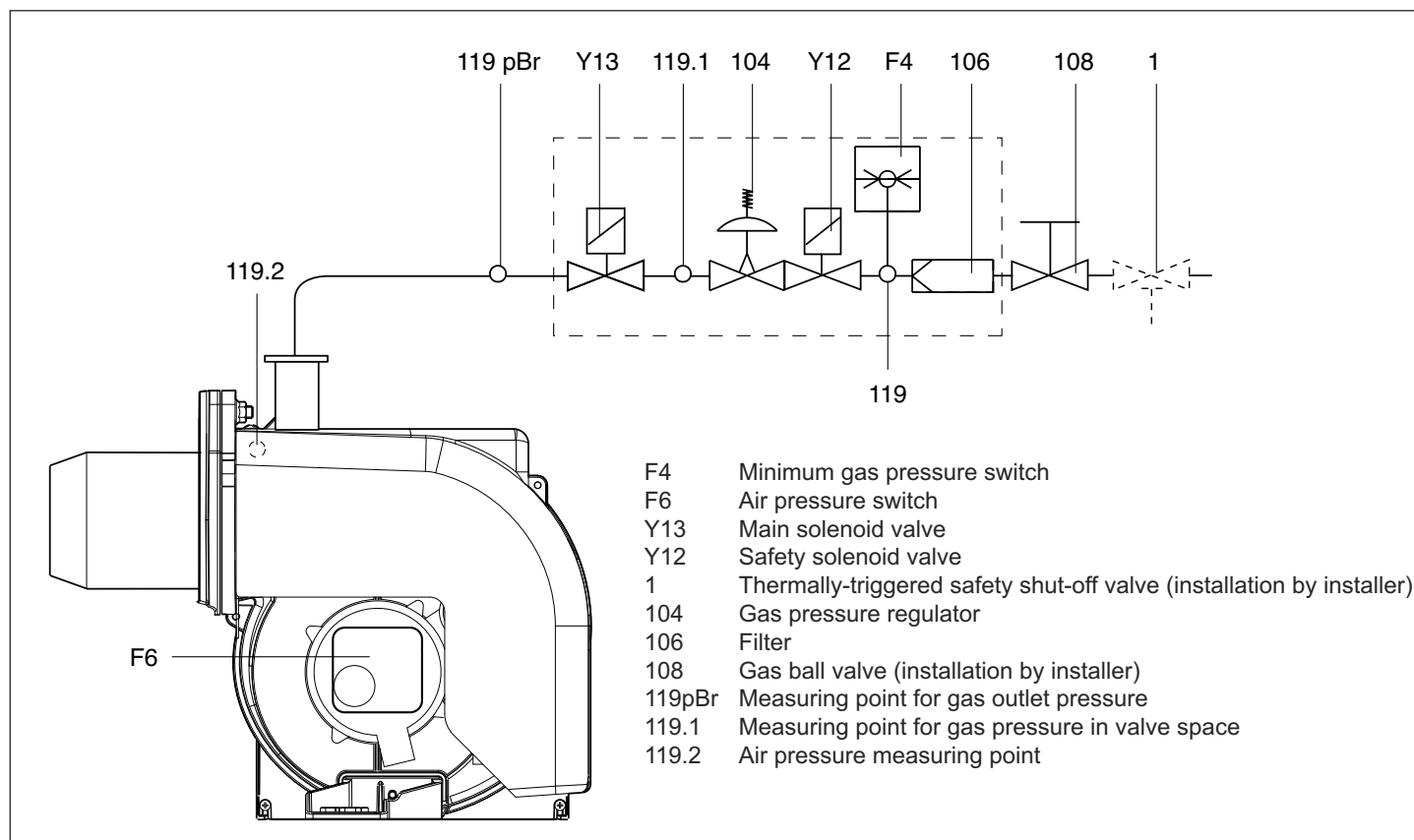
- If there is a lack of air during reventilation or operation, a safety lock-out occurs.
- If there is a lack of gas, the burner does not begin operation or switches off.

A waiting time of 2 minutes follows. This is followed by a further start attempt. If there is still no gas pressure, a further waiting time of 2 minutes follows. The waiting time can only be reset by interrupting the power supply to the burner.

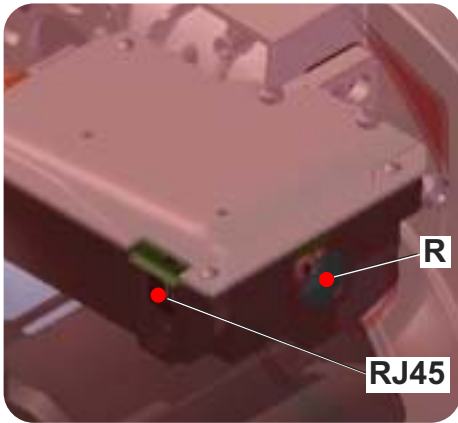
Waiting times: 3 x 2 min, then 1 hour.

In the event of controller shutdown

- Controller thermostat interrupts heat request.
- Gas solenoid valves close.
- Flame goes out.
- Burner motor switches off.
- Burner is ready for operation.



Function - E-BCU GAS control and safety unit



The E-BCU GAS fuel gas/LPG control and safety unit controls and monitors the forced draught burner. The microprocessor-controlled program sequence ensures maximum stability of time periods, regardless of fluctuations in the power supply or ambient temperature. The design of the automatic combustion control unit protects it from the effects of brownouts. Whenever the supply voltage drops below its rated minimum level (170 V), the control unit shuts down - even in the absence of a malfunction signal. The control unit switches itself back on again once the voltage has exceeded the 178 V.

Locking and unlocking the system

The control unit can be locked (switched to malfunction) and unlocked (malfunction cleared) by pressing the R reset button, provided the system is connected to the mains power supply.

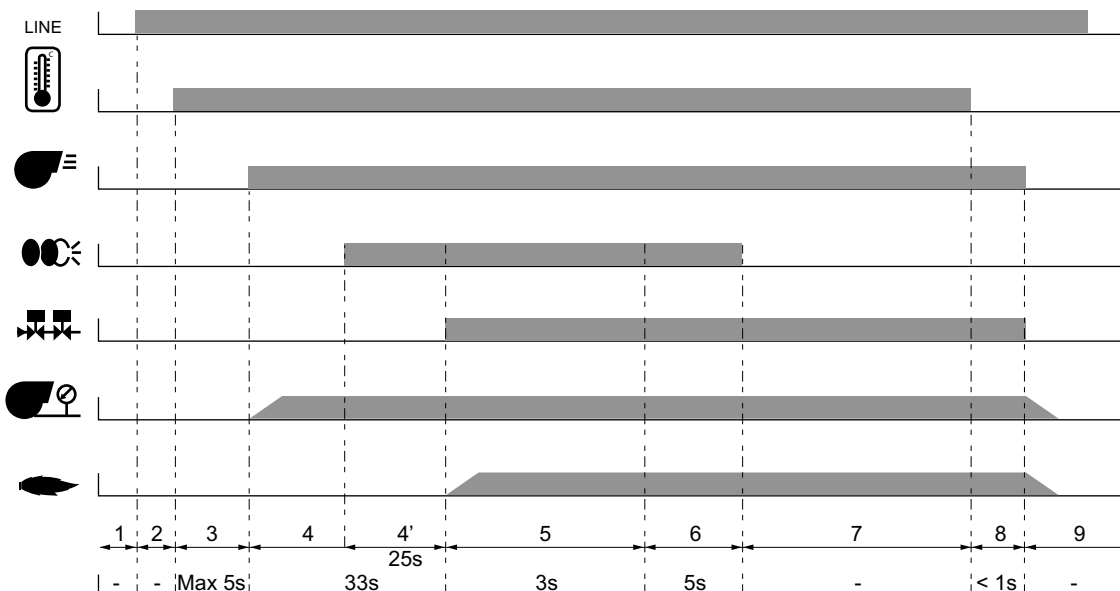
- R** - Reset button + lock-out led.
- RJ45** - Connector for PC interface (diagnostic, separate item).

! Always disconnect the power supply before installing or removing the control unit
Do not attempt to open or carry out repairs on the control unit

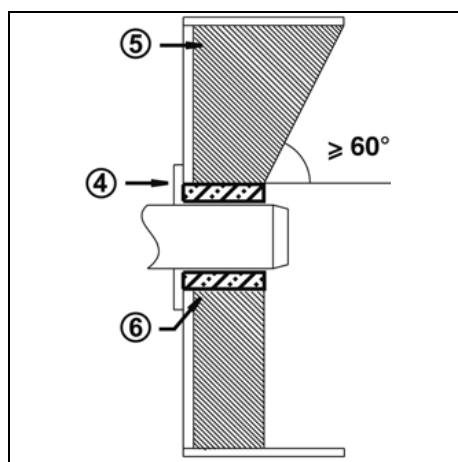
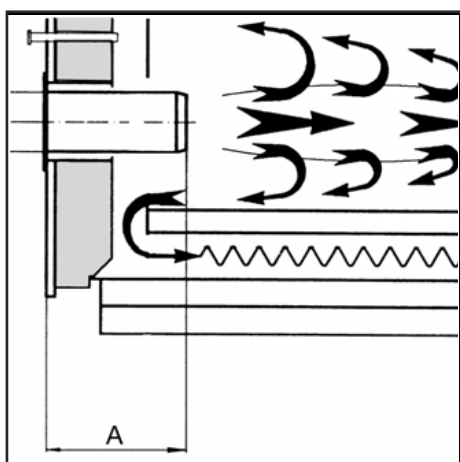
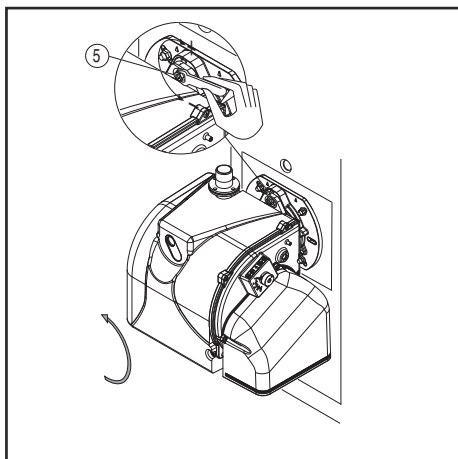
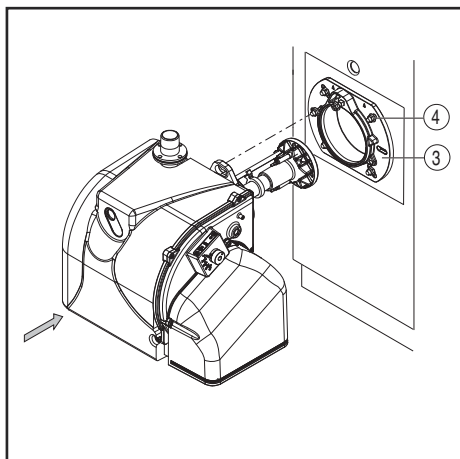


KIT E-BCU
DIAGNOSTIC TOOL
(not supplied)

Symbol	Designation
	Waiting for heat request
	Fuel valve
	Waiting for air pressure switch during burner start
	Burner motor on
	Ignition transformer on
	Flame present



Installation - Burner assembly



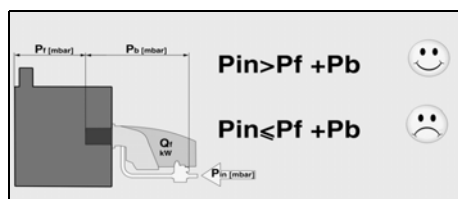
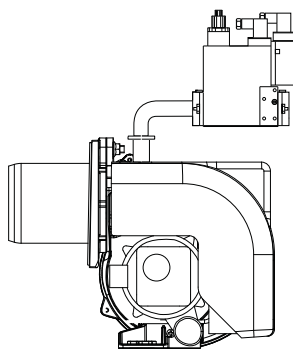
Gas lines

When installing the gas lines and gas train, the general EN676 directives and guidelines must be observed.

EN676 compulsory kit and accessories in order to comply to the safety regulations. Additional accessories and kits shall be installed by the installer in accordance to the local safety regulations and codes of practise.

General regulations applying to the gas connection

- The gas train must only be connected to the gas mains by a recognised specialist.
- The cross-section of the gas line should be of a size designed to guarantee that the gas flow pressure does not drop below the specified level.
- A manual shut-off valve (not supplied) must be fitted upstream of the gas train.



LEGENDA

- Pf: Back pressure of furnace
 Pb: Pressure of burner (combustion head + complete gas train)
 Pin: Minimum inlet pressure

Burner assembly

The burner is fixed by mean of connecting flange and therefore to the boiler.

Installation:

- fix the flange 3 to the boiler with the screws 4
- turn the burner slightly, guide it into the flange and secure using screw 5

Removal:

- loosen screw 5
- turn the burner out and pull it out of the flange

Burner blast tube insertion depth and brickwork

Unless otherwise specified by the boiler manufacturer, heat generators without a cooled front wall require brickwork or insulation 5 as shown in the illustration. The brickwork must not protrude beyond the leading edge of the blast tube, and should have a minimum conical angle of 60°. Gap 6 must be filled with an elastic, non-combustible insulation material. For boilers with reverse firing, the minimum burner tube insertion depth A as specified in the boiler manufacturer's instructions must be observed.

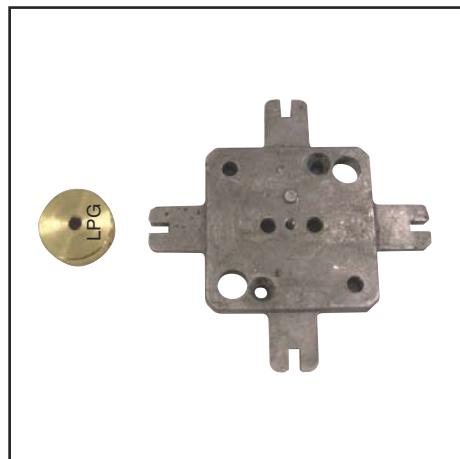
Exhaust system

To avoid unfavourable noise emissions, right-angled connectors should not be used on the flue gas side of the boiler.

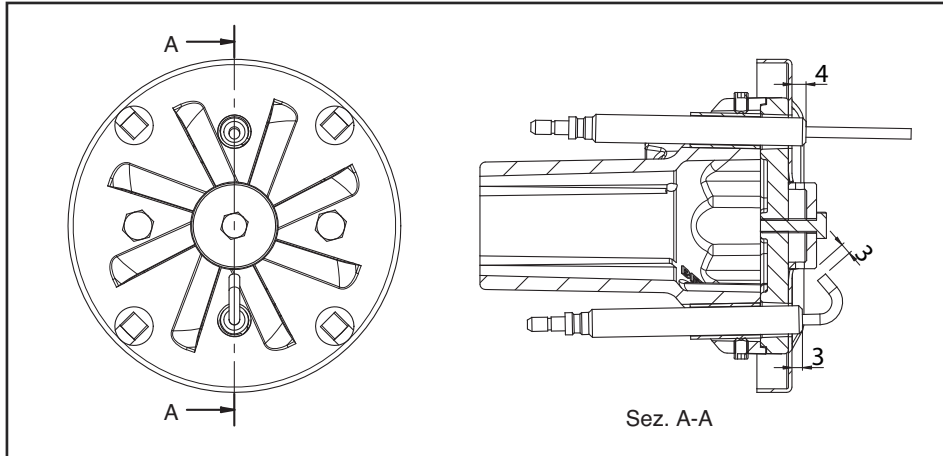
LPG TRANSFORMATION

KITLPG-MAXGAS...

For operation with Liquefied Petroleum Gas, it is necessary to order the kit and follow the instructions given in the specific manual.



Installation - Electrical connection - Checks before commissioning



Position of electrodes

Setting the ionisation probe and ignition electrode: see diagram
Always check the position of the electrodes after service or substitution or assembly of LPG kit as wrong position might cause ignition problem.

Electrical connection

The electrical installation and connection work must only be carried out by an authorised electrical specialist. All applicable rules and regulations must be observed.

The electrical installation should include a type A circuit breaker.

The applicable guidelines and directives must be observed, as well as the electrical circuit diagram supplied with the burner!

- Check to ensure that the power supply voltage is as specified in the electric diagram and in data plate.
- Burner fuse: 5 A.

Electrical connection (plug-in)

It must be possible to disconnect the burner from the mains using an omnipolar shutdown device complying with the standards in force. The burner and heat generator (boiler) are connected by a 7-pin connector (fig.1).

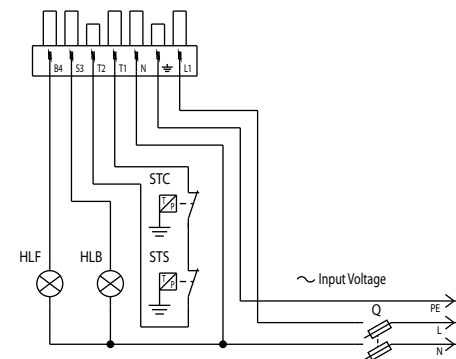
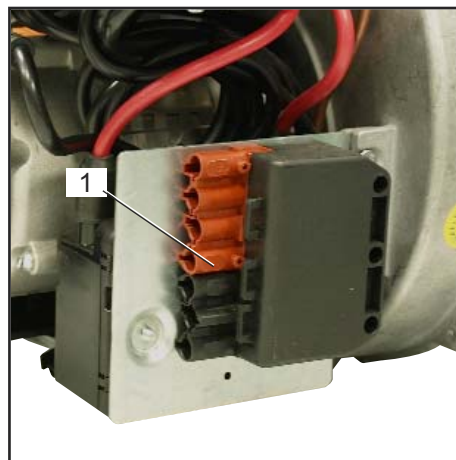
Connecting the gas train

Connect the gas train to the plugs on the burner.

Ionisation current measurement

To measure the ionisation current, disconnect connector B10 and connect a multimeter with a measuring range of 0-100 μ A.

The ionisation current must be at least 1,5 μ A. It is also possible to read the ionisation current on the display of the E-BCU diagnostic tool.

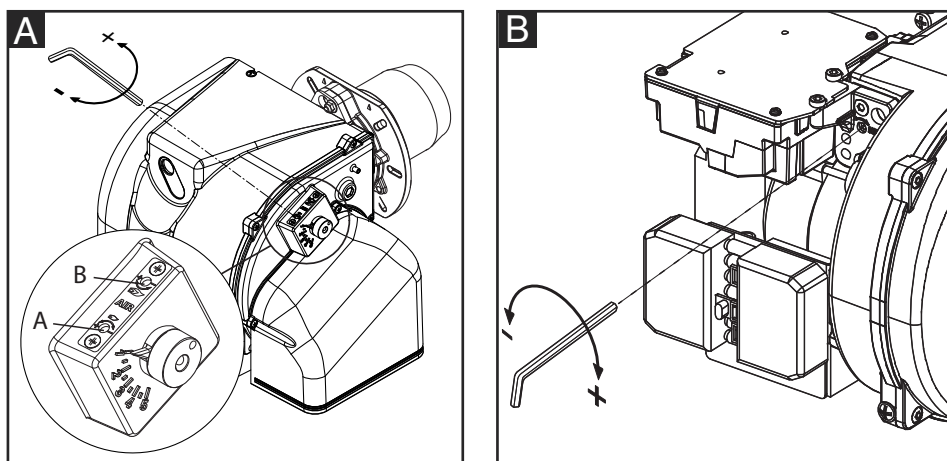


Checks before commissioning

The following must be checked before initial commissioning:

- That the burner is assembled in accordance with the instructions given here.
- That the burner is pre-set in accordance with the values in the adjustment table.
- Setting the combustion components.
- The heat generator must be ready for operation, and the operating regulations for the heat generator must be observed.
- All electrical connections must be correct.
- The heat generator and heating system must be filled with water and the circulating pumps must be in operation.
- The thermostats, pressure regulator, low water detectors and any other safety or limiting devices that might be fitted must be connected and operational.
- The exhaust gas duct must be unobstructed and the secondary air system, if available, must be operational.
- An adequate supply of fresh air must be guaranteed.
- The heat request must be available.
- Sufficient gas pressure must be available.
- The fuel supply lines must be assembled correctly, checked for leaks and bled.
- A standard-compliant measuring point must be available, the exhaust gas duct up to the measuring point must be free of leaks to prevent anomalies in the measurement results.

Start up - Adjusting burner output



Air damper setting (A).

To act on the screw A in figure:

- to increase output, turn screwdriver counterclockwise.
- to reduce output, turn screwdriver clockwise.

Note: screw B not used. **Firing head**

setting (B).

To act on the screw in figure:

- turn Allen key till you reach the requested value (index 0-4,5).



Risk of air blast!

Continuously check CO, CO₂ and soot emissions when adjusting the output of the burner. Optimise combustion values in the event of CO formation. CO must not exceed 50 ppm.

Gas pressure diagrams in appendix

Minimum gas pressure required are indicated in the diagrams in the appendix. These values have been determined in our test labs and are useful for the first switch-on as final setting must be done using a combustion analyzer.

How to read and adjust the values:

- determine the output required
- determine the combustion chamber back-pressure
- read the minimum gas pressure required in the diagrams in appendix.

Optimising combustion values

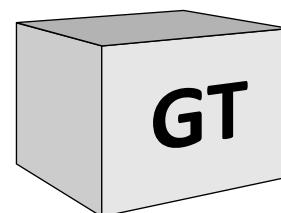
The factory setting shall be modified

according to the output required.

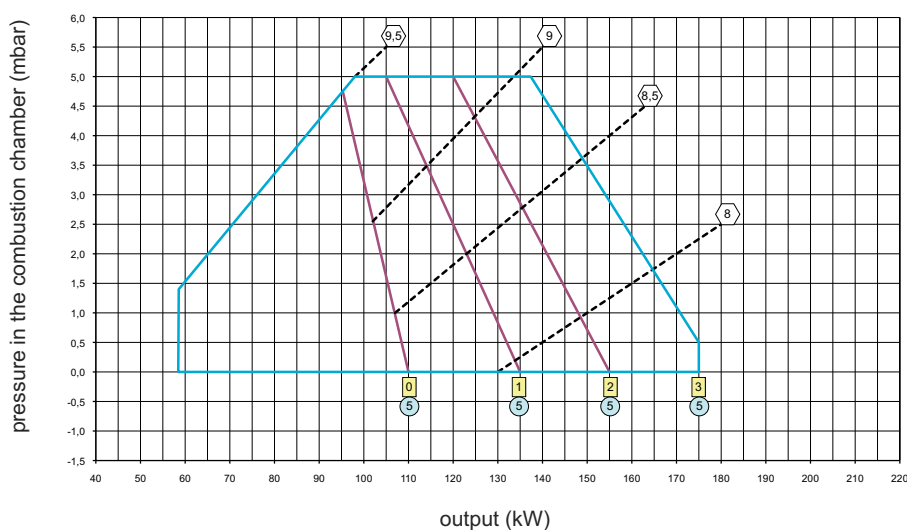
The diagrams of air/head setting that are available in the appendix of this manual are a guide for ensuring that the burner functions as well as possible.

Adjustment of gas solenoid valve


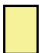

Refer to the gas train manual for the gas setting of the gas train selected.



MAX GAS 170 P NATURAL GAS



N.B. observe the minimum required flue gas temperature specified by the boiler manufacturer and the requirements demanded of ue gas ducts for avoiding condensation.

-  head gas pressure (on elbow) (mbar)
-  head position
-  air damper position

Start up - Air pressure switch adjustment - Setting gas pressostat

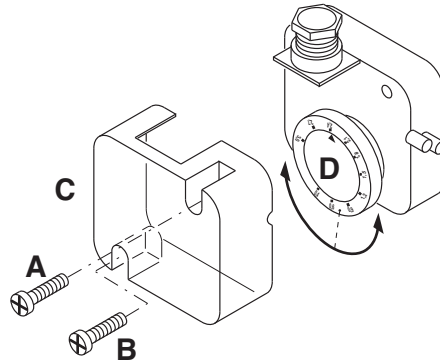
Air pressure switch calibration

The air pressure switch is provided for monitoring the pressure of the combustion air fan.

Unscrew screws A and B and remove cover C.

After the air and gas setting you have to calibrate the air switch with the burner working on the low flame by slowly turning the relative knob clockwise until the burner locks out. Read the value and then decrease it by 15%.

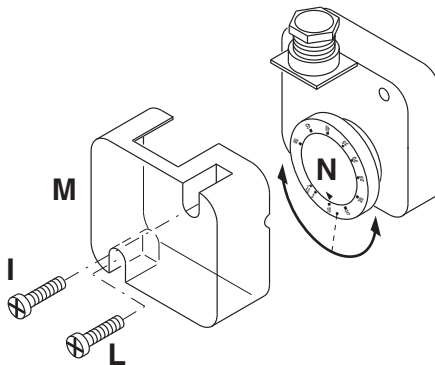
WARNING: the air pressure switch shall prevent the air pressure to go below 85% from the adjustment value in order to prevent the CO in the fumes to exceed 1% (10000 ppm).



Min gas pressure switch

The gas pressure switch has the function to check that the gas pressure before the gas valve does have the minimum pressure to make the burner running correctly.

Unscrew off and remove cover M. - Set knob N to a value equal to 60% of gas nominal feed pressure (i.e. for natural gas nom. pressure = 20 mbar, set knob to a value of 12 mbar; for LPG nom. pressure of G30/G31- 30/37 mbar, set knob to a value of 18 mbar). Screw up cover M.



Operating check

Flame monitoring must be checked for safety as part of initial commissioning and also after servicing or if the system has been out of operation for any significant period of time.

- Start attempt with gas ball valve closed: the automatic combustion control unit must switch to gas shortage or malfunction after the end of the safety period.

Service - Maintenance

Burner and boiler servicing must only be carried out by qualified personell. The system operator is advised to take out a service contract to guarantee regular servicing.

Attention

- Disconnect the electrical supply before carrying out any maintenance or cleaning work.
- The blast tube and firing head may be hot.

Checking the exhaust gas temperature

- Check the flue gas temperature at regular intervals.
- Clean the boiler if the flue gas temperature is more than 30°C above the value measured at the time of commissioning.
- To simplify the check, use a flue gas temperature indicator.

Burner maintenance positions

- After removing the screws 5 turn the burner and pull it out of the flange. It is possible to fix the burner in three positions for maintenance.

Position 1

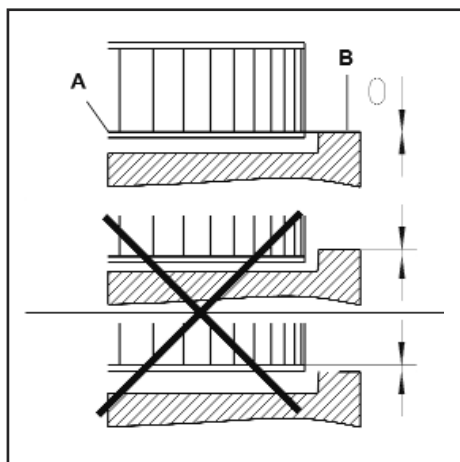
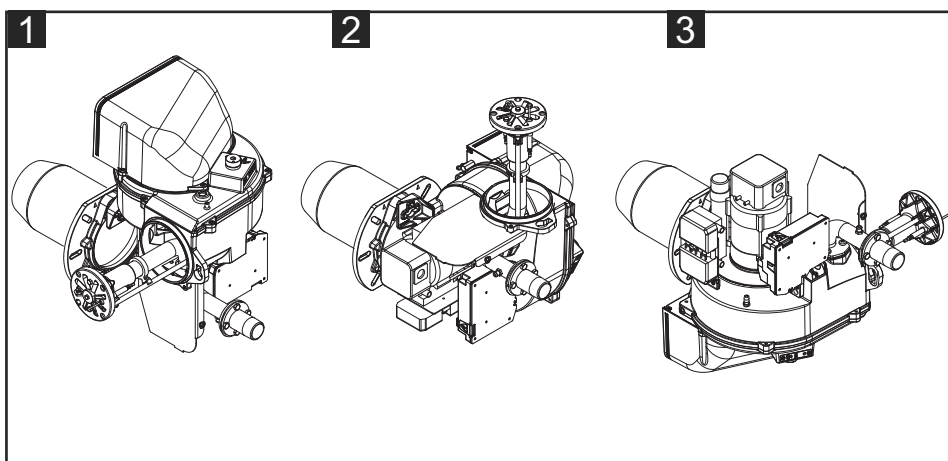
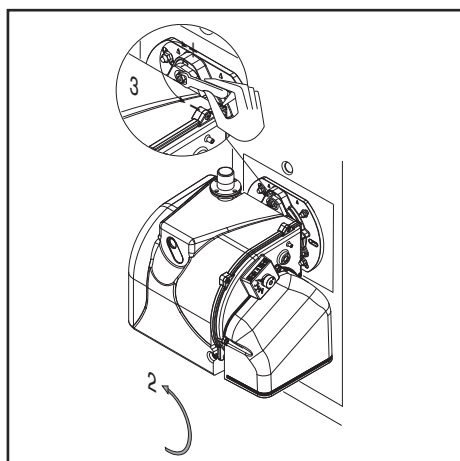
Maintenance line air (cleaning/substitution fan)

Position 2

Burner head maintenance.

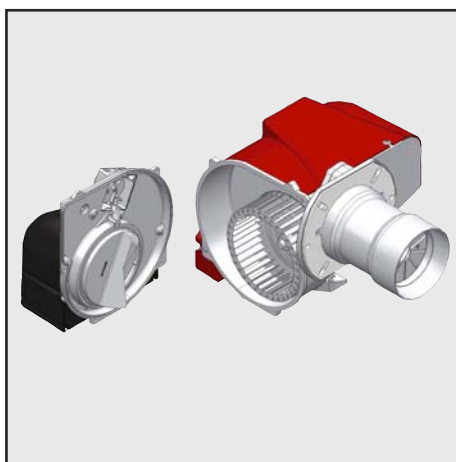
Position 3

Maintenance components.



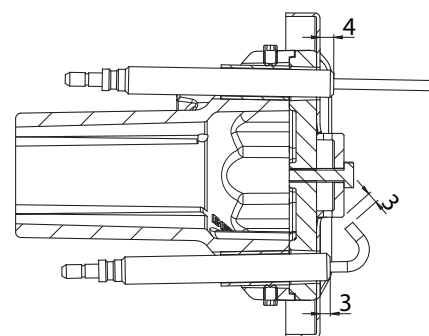
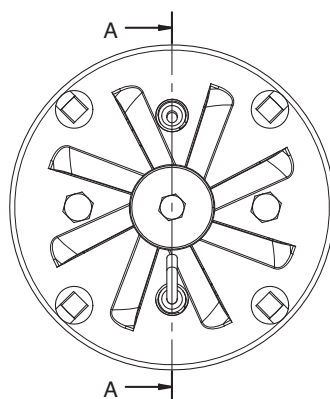
Fan assembly

Observe the positioning diagram above when replacing the motor and blower wheel. The inside flange **A** of the blower wheel must be fitted at the same level as the equipment plate **B**. Insert a straight edge between the wing of the blower wheel and set **A** and **B** to the same height, tighten the set screw on the blower wheel (maintenance position 1).



Maintenance on the burner

- Check gas supply components (tubes, lines) and their connections for leaks or signs of wear, replace if necessary.
- Check electrical connections and connection cables for damage, replace if necessary.
- Check gas filter, clean or replace as necessary.
- Clean fan wheel and housing and check for damage.
- Check and clean the mixing unit.
- Check ignition electrodes block, readjust or replace as necessary.
- Start burner, check flue gas data, correct burner settings if necessary.
- Check the setting for air pressure switch and gas pressostat.
- Check the gas train settings.
- Carry out an operating check.



Sez. A-A

Service - Troubleshooting

Fault diagnosis and repair

In the event of a malfunction, first check that the prerequisites for correct operation are fulfilled:

1. Is the system connected to the power supply?
2. Is there any gas pressure?
3. Is the gas shut-off valve open?
4. Are all control and safety devices, such as the boiler thermostat, low water level detector, limit switch, etc. adjusted correctly?

If the malfunction persists, use the following table.

It is not permitted to repair any components relevant to safety. These

components must be replaced by parts with the same order number.

Only use original spare parts.

NB: after each operation:

- under normal operating conditions (doors closed, hood fitted, etc.), check combustion and check the individual lines for leaks.
- Record the results in the relevant documents.

E-BCU diagnostic tool must be used to read the faults by service personell.



Symbol fault	Fault	Cause	Remedy
	No heat request	Thermostats defective or incorrectly adjusted	Adjust the thermostats, replace if necessary.
	Burner does not start after thermostat shutdown No malfunction indicated on the automatic combustion control unit	Drop in supply voltage or power failure. Control unit malfunction	Check the cause of the fall in voltage or the power failure Replace the control unit.
	Burner starts briefly when switched on, switches off and the red LED lights up	Control unit was deliberately shut down	Unlock the unit
	Burner does not start	Air pressure switch: not in rest position Incorrect adjustment Contact is welded	Readjust the pressure switch Replace the pressure switch
	Burner does not start Low gas pressure	Insufficient gas pressure Gas pressostat wrongly set or defective	Check gas lines Clean the filter Check the gas pressostat or replace the compact gas unit
	Burner blower starts up Burner does not start	Air pressure switch: the contact does not close	Check the pressure transmitter (foreign bodies) and wiring
	Burner blower starts up Burner does not start	Flaring during pre-ventilation or pre-ignition	Check the valve Check flame monitoring
	The burner starts, the ignition switches on, then failure	No flame at the end of the safety period Gas throughput set incorrectly Faulty flame monitoring circuit No ignition arc Electrode(s) short-circuited Ignition cable damaged or defective Ignition transformer defective Automatic combustion control unit Solenoid valves do not open Valves jamming	Adjust the gas throughput Check the condition and position of the ionisation sensor in relation to earth Check the condition and connections of the ionisation circuit (cable(s) and measurement bridges) Adjust, clean or replace electrode(s) Connect or replace the cable(s) Replace the transformer Replace the control unit Check the cabling between the control unit and external components Replace the compact gas unit Replace the valves
	Flame extinguishing during operation	Air pressure switch: contact opens during startup or during operation Flame failure during operation	Adjust or replace the pressure switch Check the ionisation sensor circuit Check or replace the automatic combustion control unit

Contenuti generali - Indice - Avvertenze generali - Dichiarazione di conformità

Panoramica	Dati tecnici	3
	Curve di lavoro	4
	Dimensioni d'ingombro	5
Contenuti generali	Indice	16
	Avvertenze generali	16
	Dichiarazione di conformità	16
	Descrizione del bruciatore	17
Funzione	Funzioni generali di sicurezza	18
	Programmatore di comando e sicurezza E-BCU GAS	19
Installazione	Montaggio del bruciatore	20
	Connessione elettrica	21
	Controlli da eseguire prima della messa in funzione	21
Messa in funzione	Regolazione del bruciatore	22
	Regolazione dei pressostati aria e gas	23
Assistenza	Manutenzione	24
	Possibili inconvenienti	25
Panoramica	Diagrammi di pressione gas	56-57
	Schemi elettrici	58
	Parti di ricambio	59-61

Avvertenze importanti

I bruciatori MAX GAS 170-250 P sono progettati per la combustione di gas naturale e di gas propano, con basse emissioni inquinanti. I bruciatori sono conformi alla norma EN 676, dal punto di vista della progettazione e del funzionamento. Montaggio, messa in funzione e manutenzione devono essere eseguiti esclusivamente da personale tecnico autorizzato, nel rispetto delle direttive e delle prescrizioni in vigore.

Descrizione del bruciatore

I bruciatori MAX GAS 170-250 P sono monostadio, a funzionamento completamente automatico in esecuzione monoblocco. La costruzione speciale della testa di combustione permette di ottenere una combustione con un debole tasso di ossidi di azoto e un coefficiente di rendimento elevato. I valori delle emissioni corrispondono alla classe 3, come definita da EN676 ($NO_x < 80 \text{ mg/kWh}$). A seconda della geometria del focolare, della carica e del sistema di combustione (caldaia a tre percorsi, caldaia a combustione inversa), si possono riscontrare valori di emissione diversi. Sono adatti per l'allestimento di tutti i generatori di calore conformi alla norma EN 303 o degli aerotermini secondo DIN

4794 o DIN 30697 nell'ambito del rispettivo range di potenza. Per ogni altro utilizzo è necessaria l'autorizzazione della Ecoflam. Al fine di garantire un funzionamento sicuro, non inquinante ed a basso consumo energetico, è necessario rispettare le seguenti norme:

EN 676

Bruciatore di gas ad aria soffiata

EN 226

Allacciamento di bruciatori di gasolio a nebulizzazione e bruciatori di gas ad aria soffiata su generatori di calore

EN 60335-1, -2-102

Sicurezza degli apparecchi elettrici per uso domestico, norme particolari per gli apparecchi con combustione a gas.

Luogo di installazione

Il bruciatore non dev'essere messo in funzione in locali in cui siano presenti vapori aggressivi (ad es. lacca per capelli, percloroetilene, tetracloruro di carbonio), notevole accumulo di polvere o forte umidità dell'aria (ad es. lavanderie). Una adeguata ventilazione deve essere fornita nel locale dell'installazione in modo da garantire le condizioni per una buona

Dichiarazione di conformità per bruciatori a gas

Noi,

Ecoflam Bruciatori S.p.A.

dichiariamo sotto la nostra responsabilità, che i bruciatori a gas

MAX GAS

sono conformi alle norme elencate :
 EN 676: 2008
 EN 60335-1: 2008
 EN 60335-2-30: 2006
 EN 60335-2-102: 2007
 EN 55014-1: 2008 + A1: 2009
 EN 55014-2: 1998 + A1: 2001 + A2: 2008

Questi prodotti vengono contrassegnati con il marchio CE nel rispetto delle direttive:

2009/142/EEC Gas Appliance Directive
 2006/95/EEC Low Voltage Directive
 2004/108/EEC EMC Directive
 2006/42/EC Machinery directive

Resana, 28 Giugno 2011
 M. PANIZZON

combustione.

Si possono riscontrare scostamenti dovuti ad eventuali normative locali.

Si esclude qualsivoglia responsabilità per eventuali danni derivanti dalle seguenti cause:

- utilizzo non conforme.
- montaggio difettoso e/o riparazione a cura dell'acquirente o terzi, ivi inclusa l'applicazione di elementi di origine estranea.

Consegna e istruzioni per l'uso

Il costruttore dell'impianto di combustione è tenuto a consegnare al gestore dell'impianto, al più tardi all'atto della consegna dello stesso, le istruzioni per l'uso e la manutenzione. Queste istruzioni devono essere appese nel locale di installazione del generatore termico in modo ben visibile. Devono essere indicati l'indirizzo ed il numero telefonico del punto di assistenza più vicino.

Avvertenza per il gestore

L'impianto dev'essere controllato almeno una volta l'anno da un tecnico specializzato. Al fine di garantire un'esecuzione regolare, si suggerisce di stipulare un contratto per la manutenzione dell'impianto.

I bruciatori Ecoflam sono stati progettati e costruiti nel rispetto delle normative e direttive correnti. Tutti i bruciatori rispondono alle normative sulla sicurezza e sul risparmio energetico nel limite del campo di lavoro dichiarato.

La qualità del prodotto è garantita dal sistema di certificazione in base alla norma ISO 9001:2008.



Contenuti generali - Descrizione del bruciatore

MAX GAS 170 LN P TC SGT 230-50 TW

NOME

MAX GAS Gas

MODELLO (Gas: kW; Gasolio: kg/h)

MAX GAS 170 175 kW

EMISSIONI

LN Low NOx Classe 3 GAS EN676 (<80 mg/kWh)
 - Standard Classe 2-GAS EN676 (<120 mg/kWh)

TIPO DI FUNZIONAMENTO

P 1 stadio

TIPO TESTA

TC Testa corta

TL Testa lunga

COMBUSTIBILE

Gas Naturale

LPG Gas Propano

EQUIPAGGIAMENTO

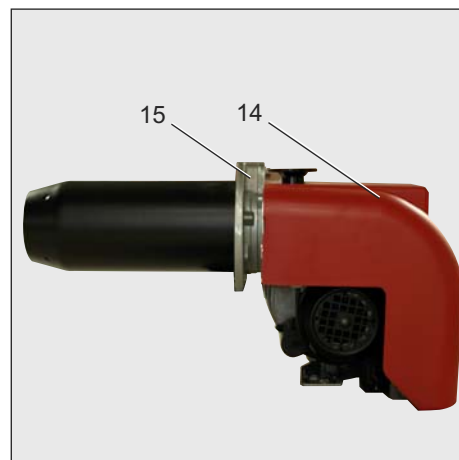
SGT Rampa gas separata

TENSIONE DI ALIMENTAZIONE

230-50 230 Volt, 50 Hz

APPARECCHIATURA DI CONTROLLO

TW Thermowatt



- A1 E_BCU GAS programmatore di comando e sicurezza gas
- F6 Pressostato aria
- M1 Motore elettrico
- T1 Trasformatore d'accensione
- Y Asta graduata per regolazione testa
- 3 Regolazione dell'aria nella testa di combustione
- 5 Fusione
- 8 Boccaglio
- 10 Presa Wieland
- 14 Cofano bruciatore
- 15 Flangia bruciatore
- 16 Pulsante Reset
- 103B Regolazione dell'aria
- 113 Cuffia aria

Imballaggio

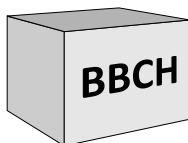
Il bruciatore è consegnato con un sistema modulare di imballo (scatole separate):

BBCH: Bruciatore completo con testa di combustione e flangia.

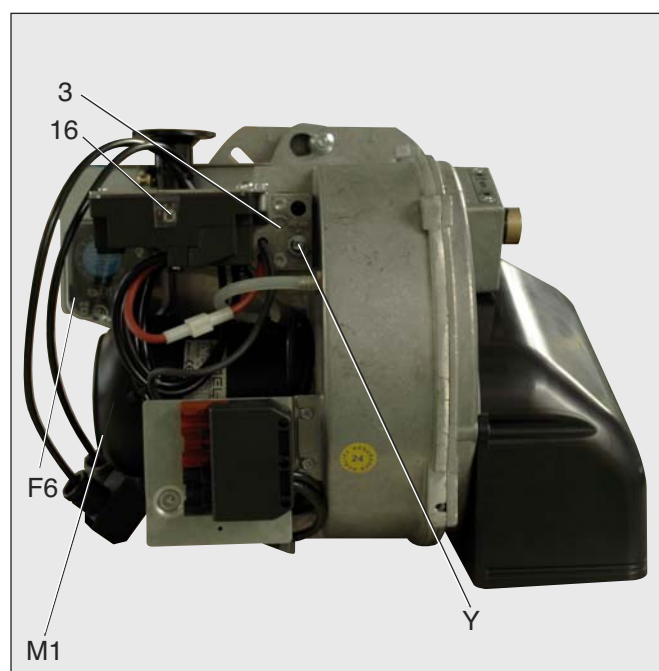
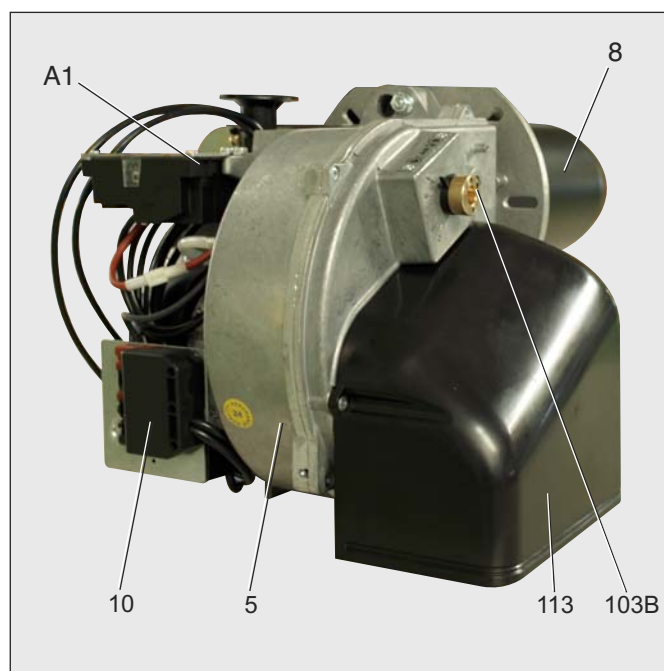
- 1 sacchetto : - manuale tecnico in multilingue.
- spina wieland.
- chiave esagonale.
- viti, dadi e rosette.

GT: Rampa Gas separata

KIT & ACS ordinabili e consegnati separatamente



KIT & ACS ordinabili e consegnati separatamente



Funzione - Funzioni generali di sicurezza

Descrizione del funzionamento

Alla prima messa sotto tensione, dopo un'interruzione di corrente e una fase di messa in sicurezza, dopo un'interruzione di gas o dopo un arresto di 24 ore, comincia un tempo di preventilazione di 24 sec.

Durante il tempo di preventilazione:

- la pressione dell'aria viene monitorata.
- controllo della presenza di eventuali segnali di fiamma anomali.

Al termine del tempo di preventilazione

- l'accensione è inserita.
- l'elettrovalvola principale e di sicurezza è aperta.
- il bruciatore si avvia.

Sorveglianza

La fiamma viene monitorata da una sonda di ionizzazione. La sonda è montata in modo isolato sulla testa del gas ed è diretta attraverso il disco fiamma nella zona della fiamma. La sonda non deve avere alcun contatto elettrico con componenti messi a terra. Se compare un

cortocircuito tra la sonda e la massa del bruciatore, il bruciatore entra in stato di anomalia. Durante il funzionamento, nella fiamma del gas si crea una zona ionizzata, attraverso la quale circola una corrente raddrizzata dalla sonda verso il boccaglio. La corrente di ionizzazione deve essere superiore a 1,5 μ A.

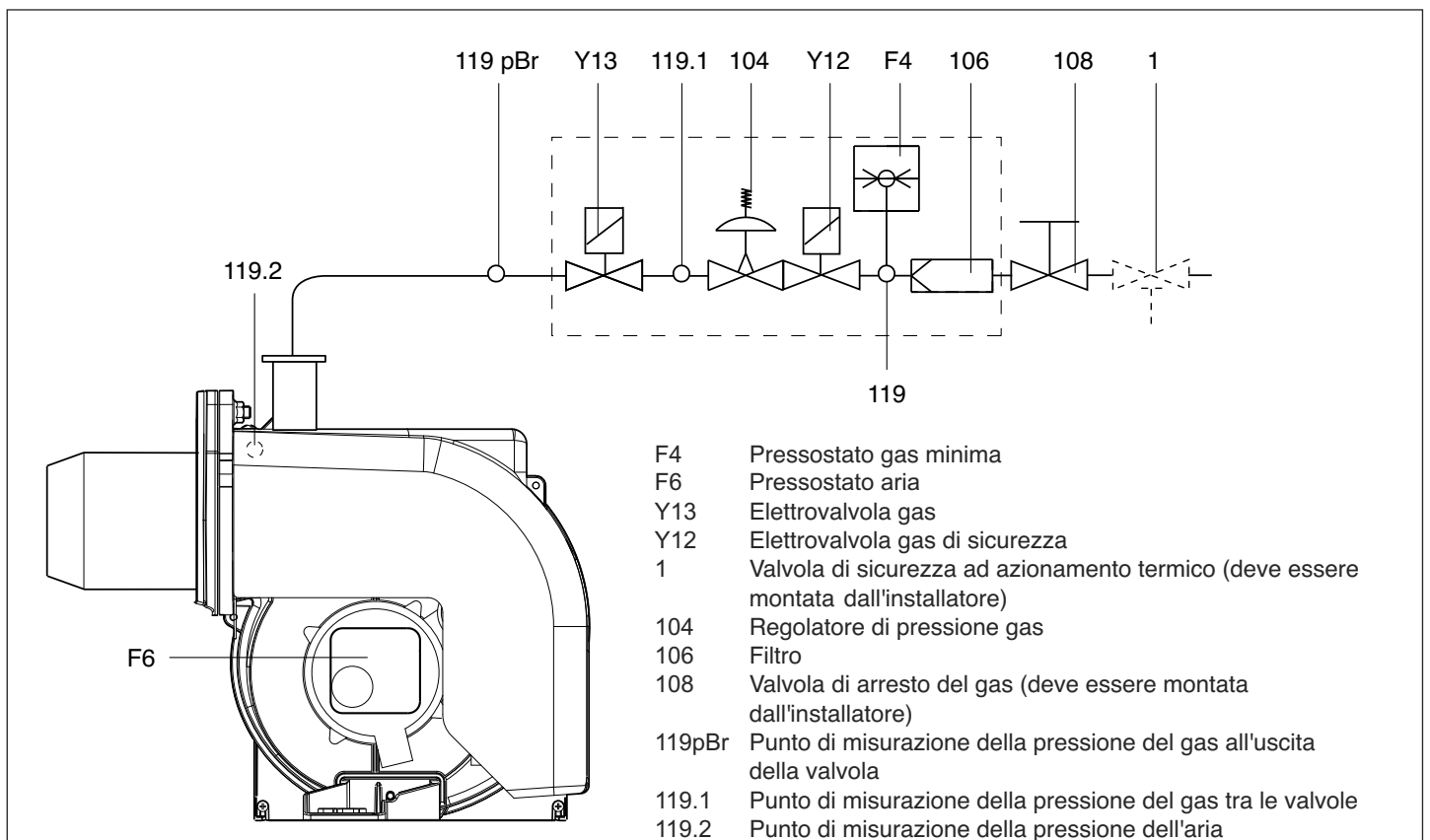
Funzioni di sicurezza

- Se all'avvio del bruciatore (rilascio del gas) non si forma la fiamma, il bruciatore viene arrestato al termine di un intervallo di sicurezza di max. 3 secondi, la valvola del gas si chiude.
- In caso di anomalia della fiamma durante il funzionamento, l'alimentazione del gas si interrompe nella frazione di un secondo. Viene avviata una nuova messa in funzione. Se il bruciatore si avvia, il ciclo di funzionamento prosegue. In caso contrario si instaura una fase di messa in sicurezza.
- In caso di mancanza d'aria durante la preventilazione o il funzionamento, si instaura una fase di messa in sicurezza.

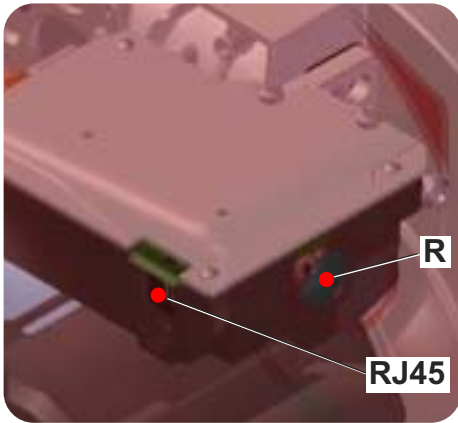
- In caso di mancanza di gas, il bruciatore non si mette in funzione e/o si arresta. Segue un tempo di attesa di 2 minuti al termine del quale avviene un nuovo tentativo di avvio. Se la mancanza di pressione del gas perdura, si avvia un nuovo tempo di attesa di 2 minuti. In questo caso, il tempo di attesa può essere interrotto esclusivamente dallo spegnimento del bruciatore. Tempo di attesa: 3 x 2 min., poi 1 ora.

Arresto di regolazione

- Il termostato di regolazione interrompe la richiesta di riscaldamento.
- Le valvole gas si chiudono.
- La fiamma si spegne.
- Il motore del ventilatore si ferma.
- Il bruciatore è pronto per il successivo funzionamento.



Funzione - Programmatore di comando e sicurezza E-BCU GAS



Il programmatore di comando e sicurezza gas E-BCU GAS comanda e sorveglia il bruciatore ad aria soffiata. Grazie al programma gestito dal microprocessore, si ottengono tempi estremamente stabili, indipendentemente dalle oscillazioni della tensione di rete o della temperatura ambiente. Il programmatore di comando e sicurezza è progettato per essere sicuro in caso di sottotensione. Se la tensione di rete scende al di sotto del valore minimo richiesto (170 V), il programmatore di comando si disattiva senza alcun segnale d'errore. Non appena la tensione supera i

178 V, il programmatore si riavvia automaticamente.

Blocco e sblocco

Il programmatore di comando può essere bloccato (portato in condizione di anomalia) e sbloccato (rimozione anomalia) mediante il pulsante R a condizione che nel programmatore di comando sia presente tensione di rete.

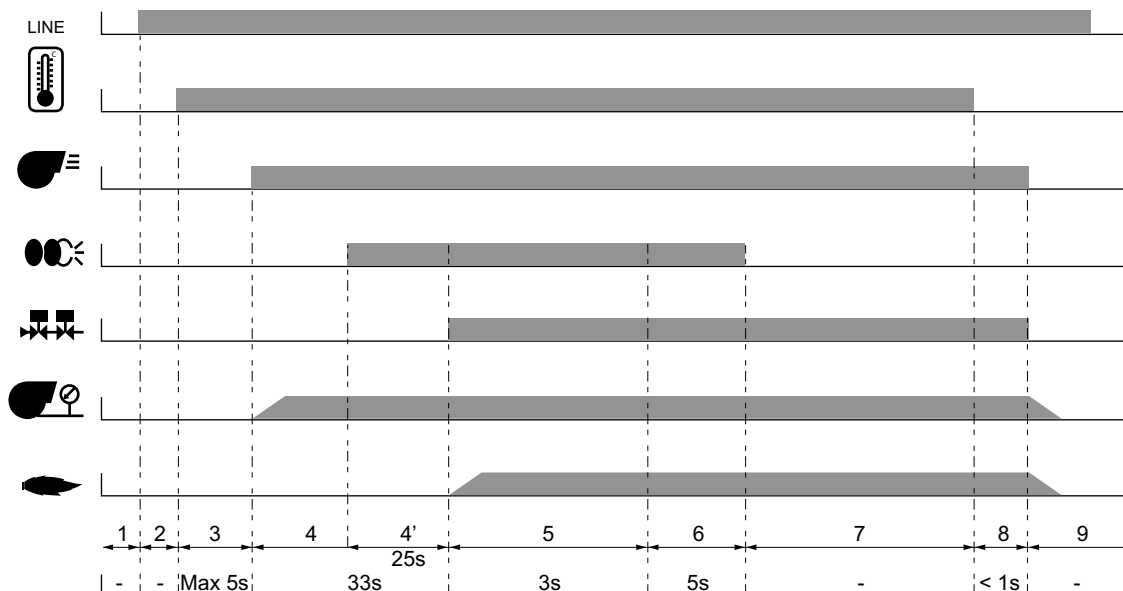
- R** - Pulsante di reset + led segnalazione blocco.
- RJ45** - Connettore per collegamento PC (diagnostica, fornita separatamente).



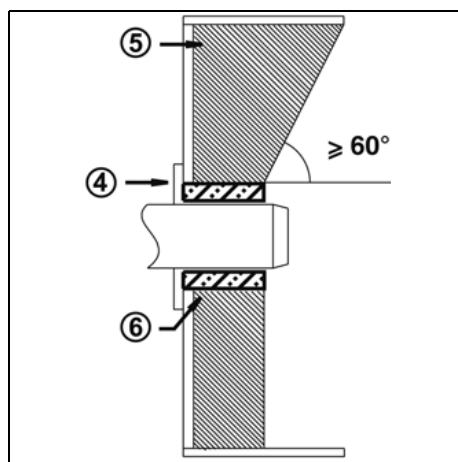
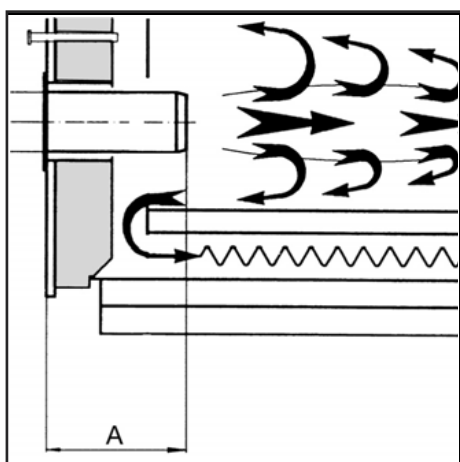
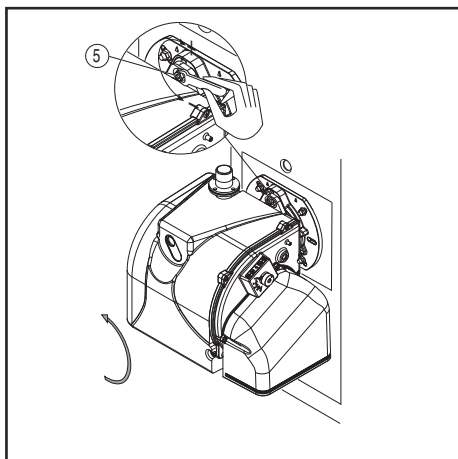
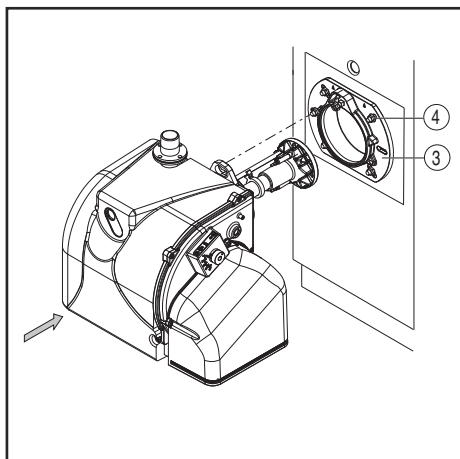
KIT E-BCU
tool diagnostico
(non incluso)

! Prima del montaggio o dello smontaggio del programmatore di comando l'apparecchio dev'essere a tensione nulla. Il programmatore di comando non dev'essere aperto nè riparato.

Simbolo	Descrizione
	Aspetta una richiesta di calore
	Valvole gas
	Aspetta il pressostato aria all'avvio del bruciatore
	Motore acceso
	Trasformatore di accensione acceso
	Fiamma presente



Installazione - Montaggio del bruciatore

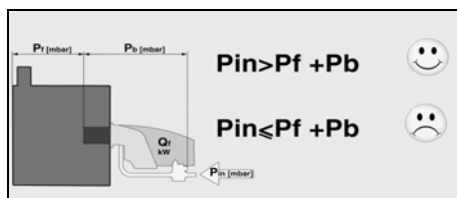
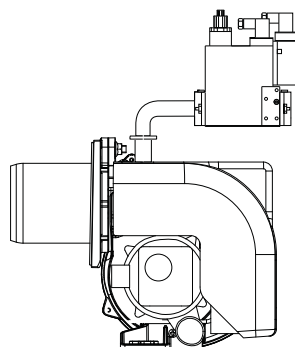


Linea alimentazione gas

Nell'installazione della linea di alimentazione e della rampa gas bisogna osservare le prescrizioni della EN676. Si deve installare il Kit obbligatorio EN676. Ulteriori accessori dovranno essere montati dall'installatore per soddisfare eventuali normative locali.

Prescrizioni di ordine generale per l'allacciamento del gas

- Il collegamento della rampa gas alla rete del gas deve essere effettuato esclusivamente da un tecnico esperto autorizzato.
- La sezione della tubazione del gas deve essere preparata in modo tale che la pressione di alimentazione del gas non possa scendere al di sotto del valore prescritto.
- Una valvola manuale di arresto (non fornita) deve essere montata a monte della rampa gas.



LEGENDA

Pf: Contropressione al focolare
Pb: Pressione gas bruciatore (testa di combustione + rampa gas)
Pin: Pressione minima di alimentazione

Montaggio del bruciatore

Il bruciatore viene fissato alla flangia di attacco e di conseguenza alla caldaia, in tal modo la camera di combustione viene chiusa a tenuta stagna.

Montaggio:

- Fissare la flangia di attacco 3 alla caldaia con le viti 4.
- Ruotare leggermente il bruciatore, introdurlo nella angia e fissarlo con la vite 5.

Smontaggio:

- Allentare la vite 5.
- Ruotare il bruciatore ed estrarlo dalla flangia.

Profondità di montaggio del boccaglio del bruciatore e rivestimento refrattario

Per i generatori senza parete anteriore raffreddata e in assenza di indicazioni contrarie da parte del costruttore della caldaia, è necessario eseguire un rivestimento in mattoni o l'isolamento secondo la figura (5) a lato.

Il rivestimento in mattoni non deve sporgere oltre il bordo anteriore del boccaglio e deve terminare con una conicità massima di 60°. Lo spazio d'aria (6) dev'essere riempito con un materiale isolante elastico, non infiammabile.

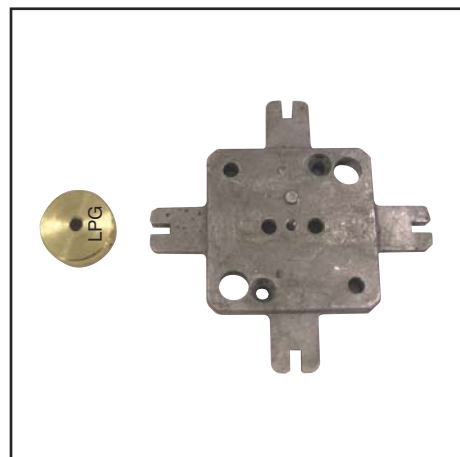
Condotto dei fumi

Al fine di evitare rumorosità indesiderate si raccomanda di evitare l'utilizzo di raccordi ad angolo retto al momento del collegamento della caldaia al camino.

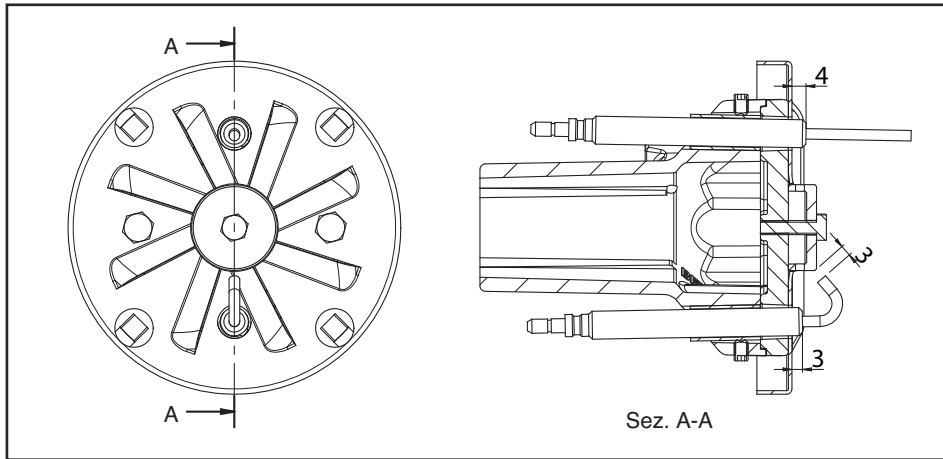
TRASFORMAZIONE A GPL

KITLPG-MAXGAS...

Per operare con GPL è necessario acquistare il Kit GPL e montarlo osservando le istruzioni allegate.



Installazione - Connessione elettrica - Controlli da eseguire prima della messa in funzione



Posizione elettrodi

Verificare sempre la posizione degli elettrodi dopo la loro sostituzione o il montaggio del KIT LPG. Una posizione errata può comportare problemi di accensione o rivelazione.

Allacciamento elettrico

L'impianto elettrico e i lavori di allacciamento devono essere eseguiti esclusivamente da personale specializzato autorizzato.

A tal proposito devono essere rispettate le normative e le direttive vigenti.

L'impianto d'alimentazione dovrà essere dotato di un interruttore differenziale di tipo A.

Rispettare obbligatoriamente le prescrizioni e le direttive in vigore, oltre allo schema elettrico fornito con il bruciatore!

- Verificare che la tensione di rete corrisponda alla tensione d'esercizio indicata nello schema elettrico e targa dati. Fusibile sulla caldaia: 5 A

Allacciamento elettrico (plug-in)

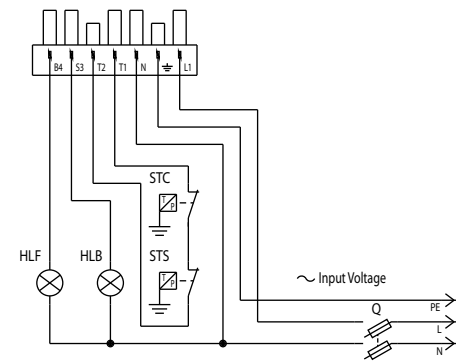
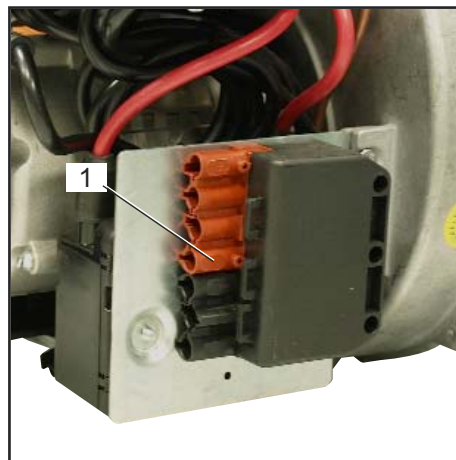
Il bruciatore deve poter essere scollegato dalla rete mediante uno dei corrispondenti dispositivi di interruzione onnipolari conformi alle norme vigenti. Bruciatori e generatori termici (caldaie) vengono collegati tra di loro mediante una connessione a spina Wieland a sette poli (fig. 1).

Collegamento della rampa gas

Eseguire il collegamento della rampa gas con le prese situate sul bruciatore.

Misurazione della corrente di ionizzazione

Per la misurazione della corrente di ionizzazione, scollegare il connettore B10 e collegare un multimetro dotato di una gamma di misurazione da 0-100 μ A. La corrente di ionizzazione deve essere superiore a 1,5 μ A. È possibile controllare l'intensità della corrente di ionizzazione anche con il tool diagnostico E-BCU.

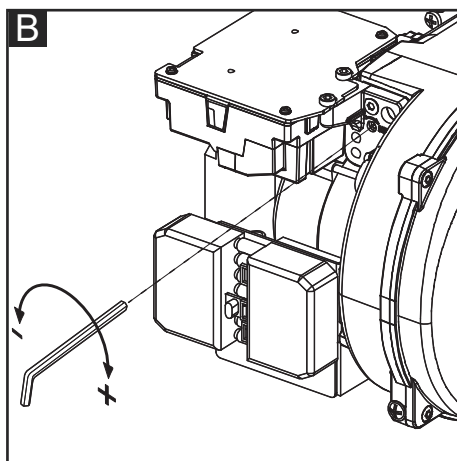
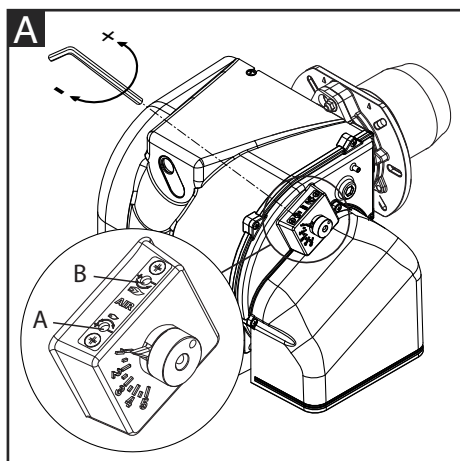


Controlli da eseguire prima della messa in funzione

Prima della messa in funzione devono essere controllati i seguenti punti.

- Montaggio del bruciatore secondo le presenti istruzioni.
- Preimpostazione del bruciatore secondo le indicazioni riportate nella tabella di regolazione.
- Controllo degli organi di combustione
- Il generatore termico dev'essere pronto per l'uso, le prescrizioni di montaggio del generatore termico devono essere rispettate.
- Tutti gli allacciamenti elettrici devono essere eseguiti correttamente.
- Il generatore termico ed il sistema di riscaldamento sono pieni d'acqua, le pompe di circolazione sono in funzione.
- Termostati, regolatore di pressione, dispositivo di sicurezza in caso di carenza d'acqua ed altri dispositivi limitatori eventualmente installati sono correttamente collegati e funzionanti.
- Le vie di scarico dei fumi devono essere sgombrare, il dispositivo per l'aria secondaria, se presente, dev'essere in funzione.
- Dev'essere garantito un sufficiente apporto di aria pura.
- Dev'essere presente una richiesta di riscaldamento.
- Deve essere disponibile una pressione del gas sufficiente.
- I condotti per il combustibile devono essere installati a regola d'arte, devono essere sottoposti ad un controllo per garantirne l'ermeticità ed essere disaerati.
- Il punto di misurazione previsto dalla norma per il controllo dei fumi di scarico dev'essere presente, il percorso dei fumi sino al punto di misurazione dev'essere a tenuta stagna in modo che i risultati delle misurazioni non possano essere falsati.

Messa in funzione - Regolazione del bruciatore



Regolazione dell'aria (A).

Agire sulla vite in figura:

- ruotando in senso orario, la portata aumenta.
- ruotando in senso antiorario, la portata diminuisce.

Regolazione della testa di combustione (B).

Agire sulla vite in figura:

- ruotare con una chiave esagonale fino a raggiungere il valore desiderato (indice da 0 a 4,5).



Pericolo di deflagrazione:

durante le operazioni di regolazione, verificare costantemente le emissioni di CO, CO₂ e l'indice di fumosità. In presenza di formazioni di CO modificare i valori della combustione. Il valore massimo di CO non deve superare i 50ppm.

Diagrammi di pressione gas riportati in appendice.

La pressione del gas minima richiesta è indicata nei diagrammi nell'appendice. Questi valori sono stati ricavati nel nostro laboratorio prove e sono utili per la messa in funzione del bruciatore, la regolazione deve poi essere verificata utilizzando un analizzatore di combustione.

Come leggere i diagrammi e regolare il bruciatore:

- determinate la potenza richiesta.
- determinate la contropressione in camera.
- ricavare la pressione del gas minima richiesta nei diagrammi nell'appendice.

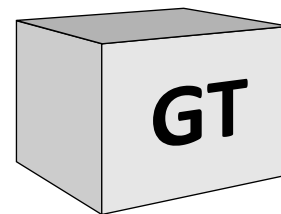
Ottimizzazione dei valori di combustione

La taratura di fabbrica dovrà essere modificata a seconda della potenza richiesta.

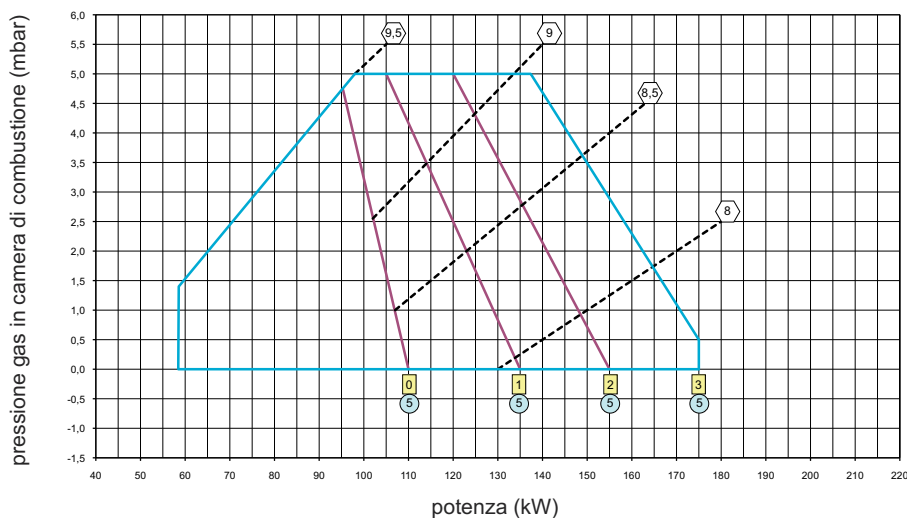
I diagrammi della taratura della serranda/testa di combustione, si trovano in appendice.

Regolazione della valvola gas

Regolate le valvole gas in base alle istruzioni del manuale della rampa gas.



MAX GAS 170 P NATURAL GAS



N.B. rispettate il valore minimo della temperatura fumi specificato dal costruttore della caldaia per evitare la formazione di condensa.

⬡ pressione gas in testa misurata sulla curva (mbar)

■ posizione testa

● posizione serranda aria

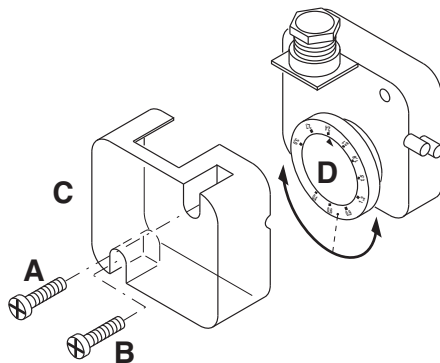
Messa in funzione - Regolazione dei pressostati aria e gas

Regolazione del pressostato aria

Il pressostato aria controlla la pressione dell'aria di ventilazione.

Svitare le viti A e B e rimuovere il coperchio C.

Dopo aver tarato l'aria e il gas, con il bruciatore in funzione ruotate lentamente in senso orario la ghiera D fino all'arresto di blocco del bruciatore. Leggete il valore indicato sulla ghiera e riducetelo del 15%. Rimontare il coperchio C e riavvitare le viti A e B.

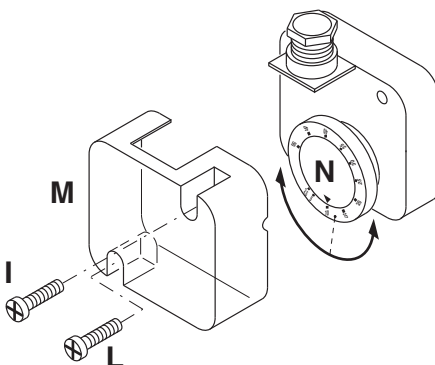


ATTENZIONE: Il pressostato eviterà che la pressione dell'aria non scenda sotto 85% del valore impostato, evitando così che il CO nei fumi superi 1%(10000 ppm).

Regolazione del pressostato gas di minima

Il pressostato gas di minima ha la funzione di controllare la pressione minima del gas prima della valvola gas permettendo al bruciatore di funzionare correttamente.

Svitare le viti I e L e togliere il coperchio M. posizionare il regolatore N ad un valore pari al 60% della pressione nominale di alimentazione gas (es.: per gas metano press. nominale =20 mbar; regolatore posizionato al valore 12 mbar; per G.P.L. pressione nominale G30-G31 30/37 mbar regolatore posizionato al valore di 18 mbar). Rimontare il coperchio M.



Controllo funzionamento

Un controllo di sicurezza del monitoraggio fiamma dev'essere eseguito sia in occasione della prima messa in funzione, sia dopo aver eseguito revisioni o dopo un lungo periodo di inattività dell'impianto.

- Test di messa in moto con il rubinetto del gas chiuso:

l'apparecchiatura di controllo dovrà segnalare il non funzionamento per mancanza gas o andare in blocco al termine del tempo di sicurezza.

Assistenza - Manutenzione

Gli interventi di assistenza sulla caldaia e sul bruciatore devono essere eseguiti esclusivamente da personale tecnico addestrato nel campo del riscaldamento. Al fine di garantire una regolare esecuzione degli interventi di assistenza, si consiglia al gestore dell'impianto di stipulare un contratto di assistenza.

Attenzione

- Prima degli interventi di manutenzione e pulizia, disinserire la corrente.
- Il bocchaglio ed i componenti della testa possono essere caldi.

possono essere caldi.

Controllo della temperatura dei fumi di scarico

- Controllare regolarmente la temperatura dei fumi di scarico.
- Pulire la caldaia se la temperatura dei fumi di scarico supera il valore della messa in funzione di oltre 30°C.
- Al fine di semplificare il controllo, installare un display per la visualizzazione della temperatura dei fumi di scarico.

Posizioni di manutenzione del bruciatore

- Dopo aver allentato la vite 5 e sganciato il bruciatore, è possibile fissarlo in tre posizioni di manutenzione.

Posizione 1

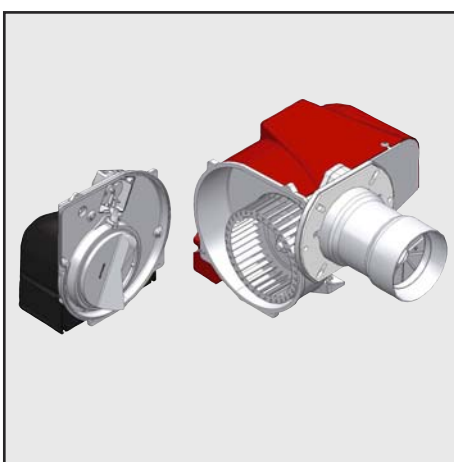
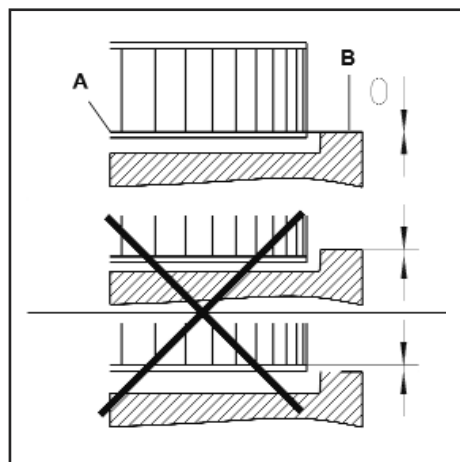
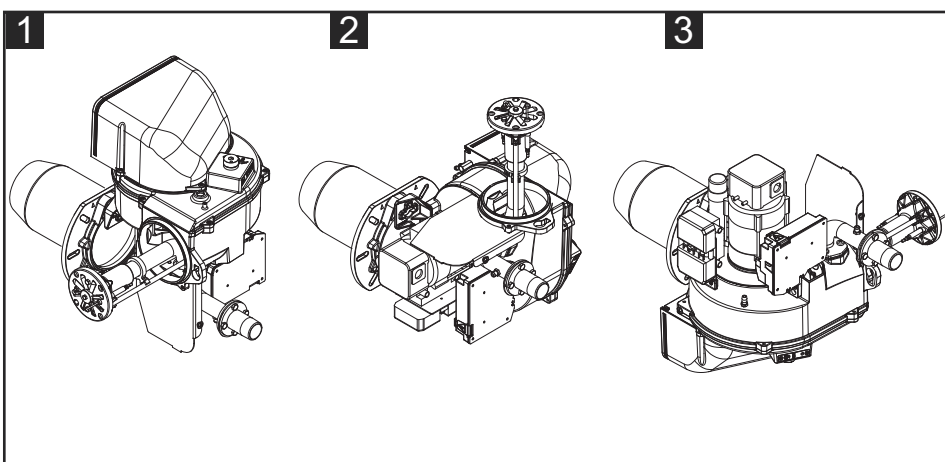
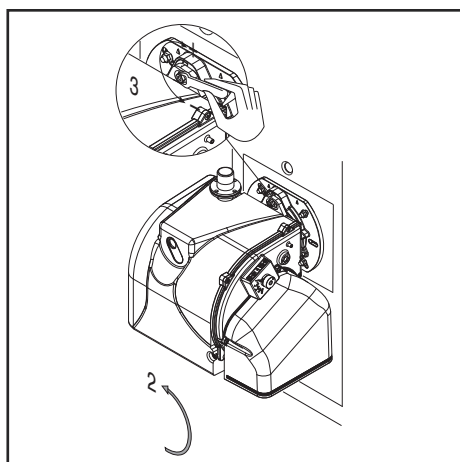
Manutenzione linea aria (pulizia/sostituzione ventola)

Posizione 2

Manutenzione testa di combustione.

Posizione 3

Manutenzione componenti.



Interventi di manutenzione sul bruciatore

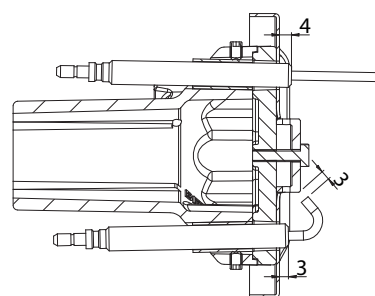
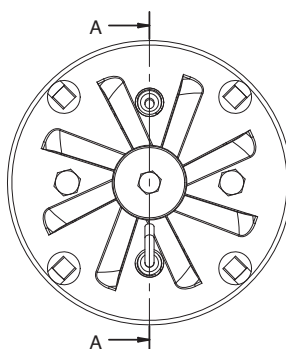
- Controllare i componenti di alimentazione gas (tubazioni, filtri, ecc.) ed i collegamenti per individuare perdite o segni di usura ed eventualmente sostituirli.
- Controllare la presenza di danni su connessioni elettriche e cavi di raccordo ed eventualmente sostituirli.
- Controllare il filtro gas, pulire e, all'occorrenza, sostituzione se necessario.
- Pulire ventola a carter e controllare che non presentino danni.
- Controllare e pulire i dispositivi di miscelazione.
- Controllare gli elettrodi di accensione ed eventualmente regolarli o sostituirli.
- Avviare il bruciatore, controllare i dati dei fumi di scarico ed eventualmente correggere le regolazioni del bruciatore.
- Controllare le regolazioni dei pressostati aria e gas.
- Controllare la regolazione della rampa gas.
- Effettuare un controllo del funzionamento.

Montaggio della ventola

In caso di sostituzione della ventola o del motore, fare riferimento allo schema di posizionamento.

Allineare la flangia interna A della ventola con la piastra B.

Inserire un righello tra le pale della ventola e portare A e B alla stessa altezza, serrare la vite senza testa con intaglio sulla ventola (posizione di manutenzione 1).



Sez. A-A

Assistenza - Possibili inconvenienti

Cause ed eliminazione delle anomalie

In presenza di anomalie, devono essere controllati i presupposti fondamentali per il corretto funzionamento dell'impianto:

1. C'è corrente?
2. C'è tutta la pressione del gas?
3. La valvola di intercettazione del gas è aperta?
4. Tutti gli apparecchi di regolazione e sicurezza come il termostato caldaia, il dispositivo di sicurezza in caso di carenza d'acqua, il finecorsa, ecc., sono impostati?

Nel caso in cui, dopo il controllo dei punti suddetti, l'anomalia persistesse, usare la seguente tabella.

I componenti di sicurezza non devono essere riparati, bensì devono essere sostituiti con componenti riportanti lo stesso codice articolo.

Utilizzare esclusivamente pezzi originali del costruttore.

NB: Dopo ogni intervento controllare:

- i valori di combustione in condizioni di esercizio (porta del locale caldaia chiusa, copertura montata, ecc.).
- registrare i valori di combustione nel libretto di centrale.

E-BCU display: l'interfaccia deve essere usato dal personale che effettua il service per poter leggere le anomalie del bruciatore.



Simbolo	Anomalia	Causa	Rimedio
	Nessuna richiesta di calore	Termostato mal regolato o difettoso	Regolare o sostituire i termostati
	In seguito allo spegnimento mediante termostato il bruciatore non riparte. Nessuna anomalia visualizzata nel programmatore di comando e sicurezza	Caduta o assenza della tensione d'alimentazione. Anomalia del programmatore di comando	Verificare l'origine della riduzione o dell'interruzione di tensione. Sostituire il programmatore di comando.
	All'accensione il bruciatore si accende brevemente e poi si spegne accensione della spia di blocco	Il programmatore di comando è stato intenzionalmente bloccato	Sbloccare nuovamente il programmatore di comando.
	Il bruciatore non parte	Pressostato aria : posizione di funzionamento, regolazione sbagliata contatto saldato.	Regolare il pressostato Sostituire il pressostato
	Il bruciatore non parte Pressione del gas bassa	Pressione del gas insufficiente Errata regolazione del pressostato gas	Controllare la linea gas Pulire il filtro gas Controllare/ sostituire il pressostato gas o la valvola gas
	Il motore ventilazione parte Il bruciatore non parte	Pressostato aria : il contatto non si chiude	Controllare il trasduttore di pressione (corpi estranei) e i collegamenti
	Il motore ventilazione parte Il bruciatore non parte	Luce parassita durante la preventilazione o la preaccensione	Controllare la valvola Controllare la fiamma
	Il bruciatore parte, l'elettrodo accende, ma si verifica un guasto	<ul style="list-style-type: none"> - Nessuna fiamma dopo il tempo di sicurezza - Portata del gas non regolata correttamente - Circuito rivelazione fiamma difettoso - Nessun arco di accensione - Elettrodo(i) in cortocircuito - Cavo di accensione guasto o difettoso - Trasformatore di accensione difettoso - Apparecchiatura di controllo difettosa - Le valvole gas non aprono - Valvole bloccate 	<ul style="list-style-type: none"> - Regolare la portata gas - Controllare la posizione dell'elettrodo di rivelazione rispetto al collegamento a terra - Controllare lo stato e i collegamenti del circuito di rivelazione (cavo(i) e ponti di misurazione) - Regolare, pulire o sostituire gli elettrodi - Collegare o sostituire i cavi - Sostituire il trasformatore - Sostituire l'apparecchiatura - Controllare il cablaggio tra l'apparecchiatura e i componenti esterni - Sostituire la rampa gas - Sostituire le valvole
	Spegnimento della fiamma con impianto in funzione	<ul style="list-style-type: none"> - Pressostato aria : il contatto si apre durante la partenza o il funzionamento - La fiamma si spegne quando l'impianto è in funzione 	Regolare o sostituire il pressostato Controllare l'elettrodo di rivelazione Controllare o sostituire l'apparecchiatura

Contenus généraux - Sommaire - Notices générales - Déclaration de conformité

Vue d'ensemble	Données techniques	3
	Domaine de fonctionnement	4
	Dimensions	5
Contenus généraux	Sommaire	26
	Notices générales	26
	Déclaration de conformité	26
	Description du brûleur	27
Fonction	Fonctions générales de sécurité	28
	Coffret de commande et de sécurité E-BCU GAS	29
Installation	Montage du brûleur	30
	Raccordement électrique	31
	Contrôles avant la mise en service	31
Mise en service	Réglage du brûleur	32
	Réglage des pressostats d'air et de gaz	33
Maintenance	Entretien	34
	Problèmes possibles	35
Vue d'ensemble	Diagrammes de pression de gaz	56-57
	Schémas électrique	58
	Pièces de rechange	59-61

Mise en garde

Les brûleurs MAX GAS 170-250 P sont conçus pour la combustion de gaz naturel et de gaz propane, avec faibles rejets polluants. D'un point de vue conception et fonctionnement, les brûleurs répondent à la norme EN 676. Le montage, la mise en route et l'entretien ne peuvent être exécutés que par des spécialistes autorisés, dans le respect des directives et prescriptions en vigueur.

Description du brûleur

Le brûleur MAX GAS 170-250 P est monostade, à fonctionnement complètement automatique en exécution monobloc. La construction spéciale de la tête de combustion permet une combustion à un faible taux d'oxyde d'azote et avec un coefficient de rendement élevé. Les valeurs des émissions correspondent à la classe 3, définie par EN676 (NOx<80mg/kWh). Selon la géométrie du foyer, la charge du foyer et le système de combustion (chaudière à trois parcours, chaudière à foyer borgne), des valeurs d'émission différentes peuvent en résulter. Ils conviennent pour l'équipement de tous les générateurs de chaleur conformes à la norme EN 303, ou de générateurs d'air

chaud selon la norme DIN 4794 ou DIN 30697, dans leur plage de puissances. Toute autre utilisation doit faire l'objet d'une demande d'autorisation auprès d'Ecoflam.

Pour un fonctionnement en toute sécurité, respectueux de l'environnement et économe en énergie, il faut prendre en considération les normes suivantes:

EN 676

Brûleurs gaz à air soufflé

EN 226

Raccordement de brûleurs fuel à nébulisation et brûleurs gaz à air soufflé à un générateur de chaleur.

EN 60335-1, -2-102

Sécurité d'appareils électriques pour usage domestique, règles particulières pour les appareils à combustion au gaz.

Lieu d'installation

Le brûleur ne doit pas être mis en service dans des locaux exposés à des vapeurs agressives (p. ex. laque pour cheveux, tétrachloréthylène, tétrachlorure de carbone), poussières importantes ou humidité de l'air élevée (p. ex. dans des buanderies).

Déclaration de conformité pour brûleurs de gaz

Nous,

Ecoflam Bruciatori S.p.A.

déclare brûleurs de gaz

MAX GAS

sont en conformité avec les normes suivantes:

EN 676: 2008
EN 60335-1: 2008
EN 60335-2-30: 2006
EN 60335-2-102: 2007
EN 55014-1: 2008 + A1: 2009
EN 55014-2: 1998 + A1: 2001 + A2: 2008

Ces produits sont marqués avec la marque CE dans le respect des directives:

2009/142/EEC Gas Appliance Directive
2006/95/EEC Low Voltage Directive
2004/108/EEC EMC Directive
2006/42/EC Machinery directive

Resana, 28 Juin 2011
M. PANIZZON

Le local d'installation doit être correctement aéré de manière à garantir les conditions pour une bonne combustion. Les dispositions locales peuvent contenir des prescriptions différentes.

Les dommages résultant des causes suivantes ne pourront pas être couverts par la garantie:

- utilisation inappropriée.
- installation et/ou remise en état erronées par l'acheteur ou par un tiers, y compris la mise en place de pièces d'autres origines.

Remise de l'installation et conseils d'utilisation

L'artisan qui réalise l'installation doit donner à l'utilisateur, au plus tard au moment de la réception de l'installation, les notices d'utilisation et d'entretien. Elles doivent être conservées bien visibles dans la chaufferie. L'adresse et le numéro d'appel de la station-service la plus proche doivent y être inscrits.

Conseils à l'utilisateur

L'installation doit être vérifiée au moins une fois par an par un spécialiste. Pour en garantir l'exécution régulière, la conclusion d'un contrat d'entretien est fortement conseillée. contract to guarantee regular servicing.

Les brûleurs Ecoflam ont été conçus et construits dans le respect des réglementations et des directives actuelles. Tous les brûleurs sont conformes aux réglementations relatives à la sécurité et aux économies d'énergie dans la limite du domaine d'utilisation déclaré. La qualité du produit est garantie par le système de certification conformément à la norme ISO 9001:2008.



Contenus généraux - Description du brûleur

MAX GAS 170 LN P TC SGT 230-50 TW

NOM	
MAX GAS	Gas
MODÈLE (Gaz: kW; fioul domestique: kg/h)	
MAX GAS 170	175 kW
ÉMISSIONS	
LN	Low NOx Classe 3 GAS EN676 (<80 mg/kWh)
-	Standard Classe 2-GAS EN676 (<120 mg/kWh)
TYPE DE FONCTIONNEMENT	
P	1 allure
TYPE TÊTE	
TC	Tête courte
TL	Tête longue
COMBUSTIBLE	
	Gaz Naturel
LPG	Gaz Propane
ÉQUIPEMENT	
SGT	Rampe gaz séparée
TENSION D'ALIMENTATION	
230-50	230 Volt, 50 Hz
COFFRET DE SECURITE	
TW	Thermowatt



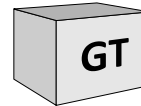
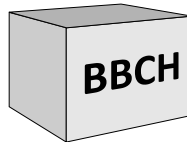
- A1 E_BCU GAS Coffret de commande et de sécurité gaz
- F6 Pressostat air
- M1 Moteur électrique
- T1 Transformateur d'allumage
- Y Tige graduée
- 3 Régulation de l'air dans la tête de combustion.
- 5 Fusion
- 8 Gueulard
- 10 Fiche femelle Wieland
- 14 Couvercle du brûleur
- 15 Bride du brûleur
- 16 Bouton de déblocage
- 103B Régulation de l'air
- 113 Volet d'air

Emballage

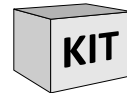
Le brûleur est livré avec un système modulaire d'emballage (boîtes séparées):

BBCH: Brûleur avec une tête de combustion et une bride.

- 1 sachet :
 - manuel technicien dans multilingue.
 - fiche wieland.
 - clé six-pans.
 - vis, écrous et rondelles.

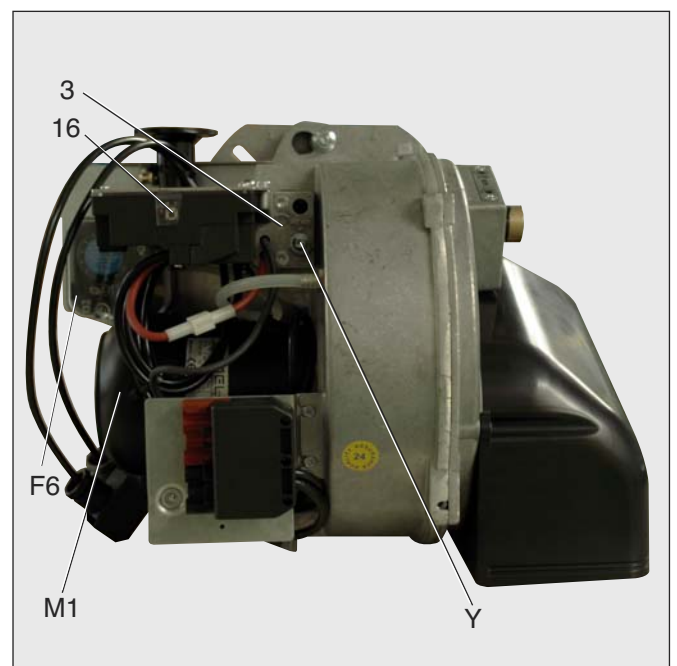
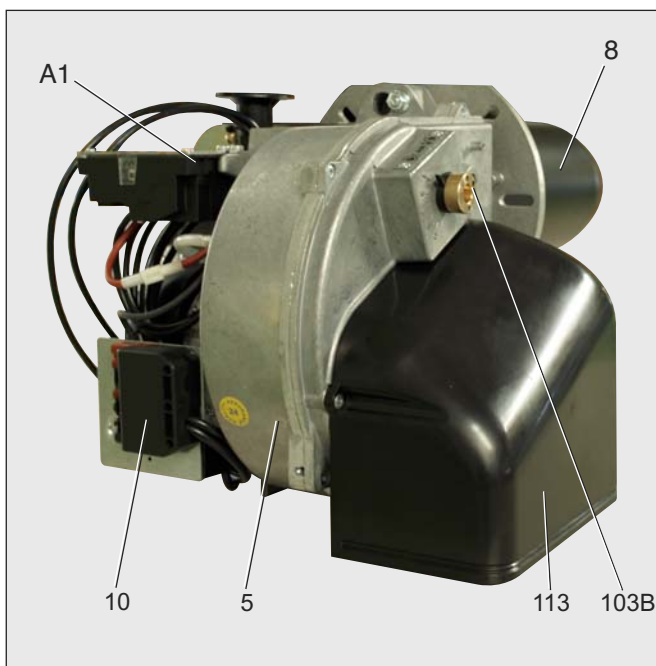


KIT & ACS commandés et livrés séparément



GT: Rampe gaz séparée

KIT & ACS commandés et livrés séparément



Fonction - Fonctions générales de sécurité

Description du fonctionnement

Lors de la première mise sous tension, après une coupure de tension ainsi qu'une mise en sécurité, après une coupure de gaz ou après un arrêt de 24 heures commence un temps de pré ventilation de 24 sec.

Pendant le temps de préventilation:

- la pression d'air est surveillée.
- contrôle de la présence d'éventuels signaux de flamme anormaux.

Après l'écoulement du temps de préventilation

- l'allumeur est mis en circuit.
- l'électrovanne principale et de sécurité est ouverte.
- démarrage du brûleur.

Surveillance

La flamme est surveillée par une sonde d'ionisation. La sonde est montée de façon isolée sur la tête gaz et est dirigée à travers le déflecteur dans la zone de la flamme. La sonde ne doit pas avoir de contact électrique avec des pièces mises

à la terre. Si un court-circuit apparaît entre la sonde et la masse du brûleur, le brûleur se met en défaut. En fonctionnement, une zone ionisée naît dans la flamme gaz à travers laquelle un courant redressé circule de la sonde vers le tube du brûleur. Le courant d'ionisation doit être supérieur à 1,5 μ A.

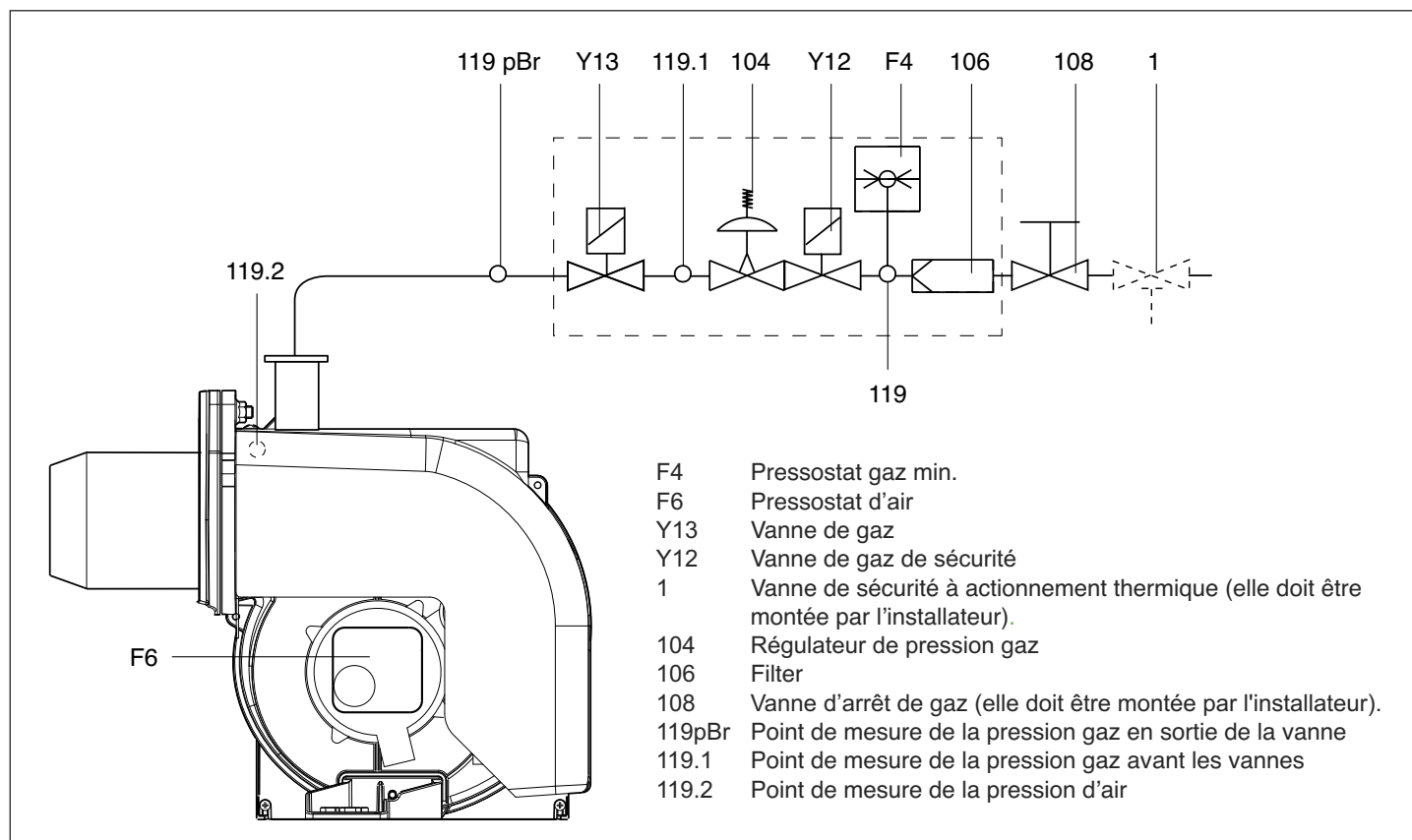
Fonctions de sécurité

- Si aucune flamme ne se forme au démarrage du brûleur (libération du gaz), le brûleur est coupé après écoulement du temps de sécurité de 3 secondes max., la vanne gaz se ferme.
- En cas de défaillance de la flamme pendant le fonctionnement, l'alimentation en gaz est interrompue en l'espace d'une seconde. Un nouveau démarrage est lancé. Si le brûleur démarre, le cycle de fonctionnement se poursuit. Autrement il s'ensuit une mise en sécurité.
- En cas de manque d'air pendant la préventilation ou le fonctionnement, une mise en sécurité intervient.
- En cas de manque de gaz, le brûleur ne se met pas en fonctionnement et/ ou

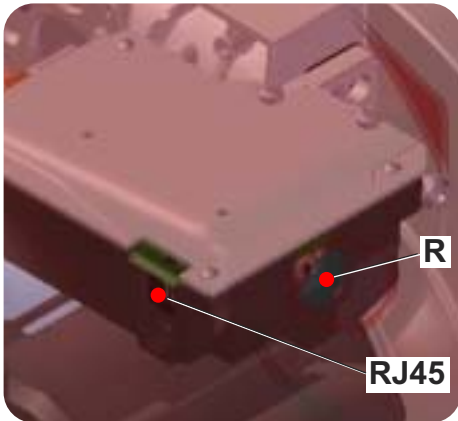
s'arrête. Il s'ensuit un temps d'attente de 2 minutes. Ensuite une nouvelle tentative de démarrage se produit. S'il n'y a toujours pas de pression de gaz, s'écoule un nouveau temps d'attente de 2 minutes. Le temps d'attente ne peut alors être annulé que par une mise hors tension du brûleur. Temps d'attente : 3 x 2 min., puis 1 heure.

Lors de l'arrêt de régulation

- Le thermostat de régulation interrompt la demande de chauffe.
- Les vannes gaz se ferment.
- La flamme s'éteint.
- Le moteur de ventilation s'arrête.
- Le brûleur est prêt à fonctionner.



Fonction - Coffret de commande et de sécurité E-BCU GAS



Le coffret de commande et de sécurité fioul domestique E-BCU GAS commande et surveille le brûleur à air soufflé. Grâce à la commande du déroulement du programme par microprocesseur, on aboutit à des temps très stables, indépendamment des variations de la tension d'alimentation électrique ou de la température ambiante. Le coffret est conçu avec une protection contre la baisse de la tension électrique. Lorsque la tension d'alimentation électrique se situe en dessous de la valeur minimale (170 V) demandée, le coffret de sécurité s'arrête sans émettre de signal de défaut. Dès que la tension dépasse 178 V, le coffret de

sécurité redémarre automatiquement.

Verrouillage et déverrouillage

Le coffret de sécurité peut être verrouillé (défaut forcé) et déverrouillé (défaut acquité) au moyen du bouton R à la condition que le coffret soit sous tension.

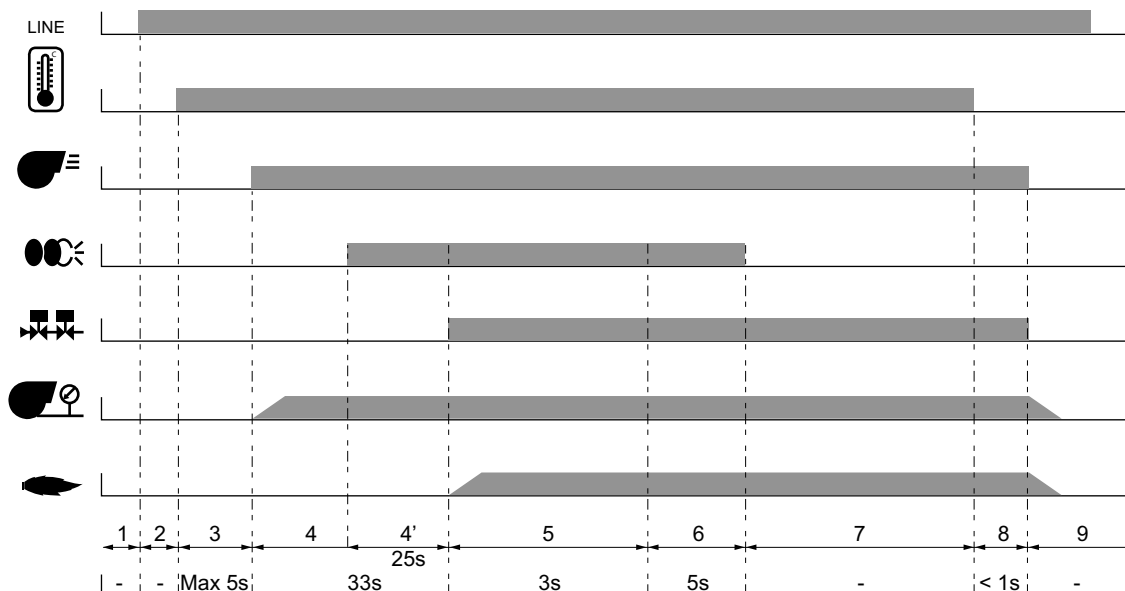
- R** - bouton de réarmement + LED de signalisation du blocage.
- RJ45** - Connecteur pour connexion PC (diagnostic, fourni séparément)



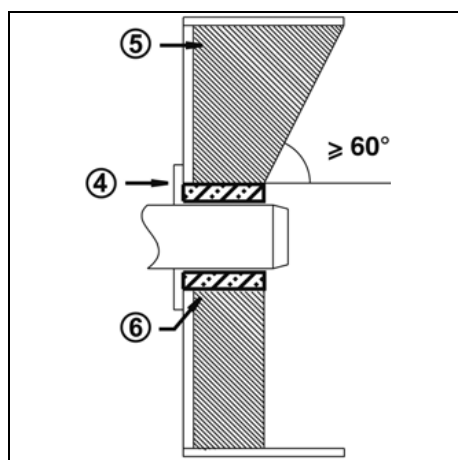
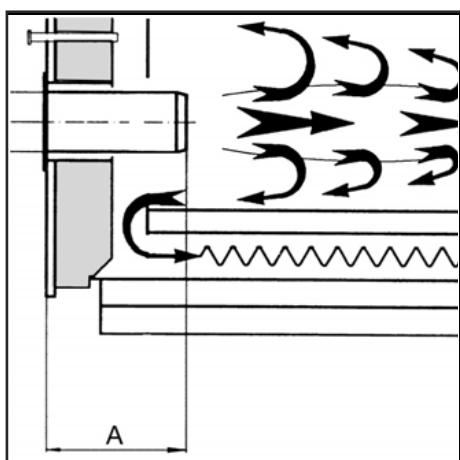
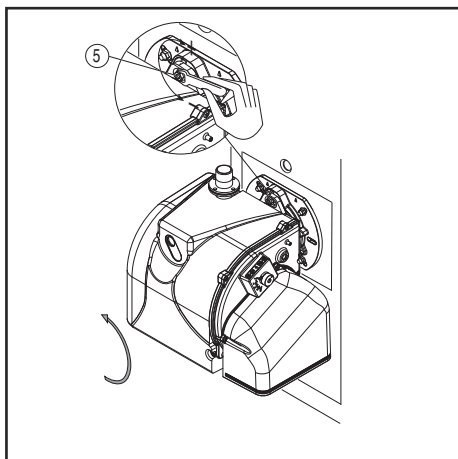
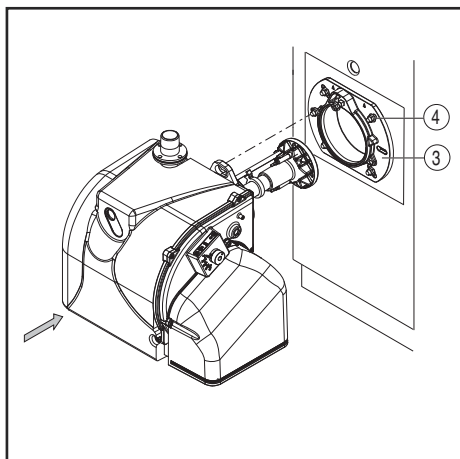
Kit E-BCU
Outils de diagnostic
(non inclus)

! Avant le montage ou le démontage du coffret de sécurité, l'appareil doit être mis hors tension. Il ne faut ni ouvrir ni réparer le coffret de sécurité.

Symbole	Description
	Attente demande de chaleur chaudière
	Vanne du gaz
	Attente manostat air au démarrage
	Alimentation du moteur
	Mise sous tension de l'allumeur
	Flamme présente



Installation - Montage du brûleur

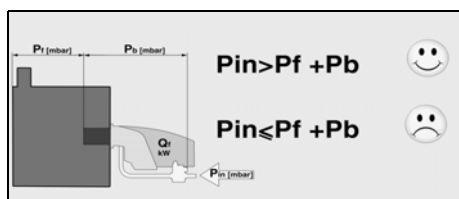


Ligne d'alimentation en gaz

Dans l'installation de la ligne d'alimentation et de la rampe de gaz, il y a lieu de respecter les consignes de l'EN676. Le Kit obligatoire EN676 doit être installé. D'autres accessoires devront être montés par l'installateur pour satisfaire à d'éventuelles réglementations locales.

Prescriptions d'ordre général pour le raccordement gaz

- Le raccordement de la rampe gaz au réseau de gaz ne peut être réalisé que par un technicien spécialiste agréé.
- La section de la tuyauterie de gaz doit être réalisée de telle sorte que la pression d'alimentation gaz ne tombe pas en dessous de la valeur prescrite.
- Une vanne manuelle d'arrêt (non fournie) doit être montée en amont de la rampe gaz.



LÉGENDE

Pf: contre-pression dans la chambre de combustion.
Pb: pression du brûleur (tête de combustion + rampe gaz complète)
Pin: pression d'entrée gaz minimale

Montage du brûleur

Le brûleur est fixé à la bride de fixation et, par conséquent, à la chaudière; de cette manière, la chambre de combustion est fermée hermétiquement.

Montage:

- Fixer la bride de fixation 3 à la chaudière au moyen des vis 4.
- Tourner légèrement le brûleur, l'introduire dans la bride et le fixer avec la vis 5.

Démontage :

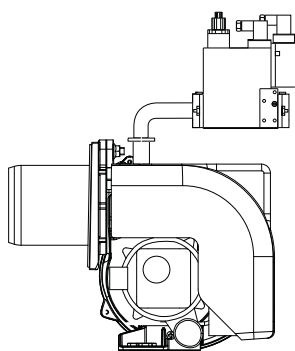
- Desserrer la vis 5.
- Tourner le brûleur et l'extraire de la bride.

Profondeur de montage du tube du brûleur et garnissage en maçonnerie

Pour les générateurs sans paroi avant refroidie et en l'absence d'indications contraires par le constructeur de la chaudière, il est nécessaire de réaliser un garnissage en maçonnerie ou une isolation (5) selon la figure ci-contre. Le garnissage en maçonnerie ne doit pas déborder la bordure avant du gueulard et sa dépouille conique ne doit pas dépasser 60°. L'interstice d'air (6) doit être comblé avec un matériau d'isolation élastique et ininflammable.

Mené des fumées

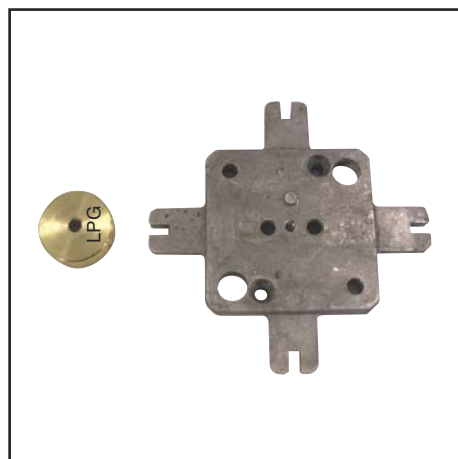
Au fin d'éviter du bruit non désirées, il est recommandé d'éviter les pièces de raccordement à angles droits lors du raccordement de la chaudière à la cheminée.



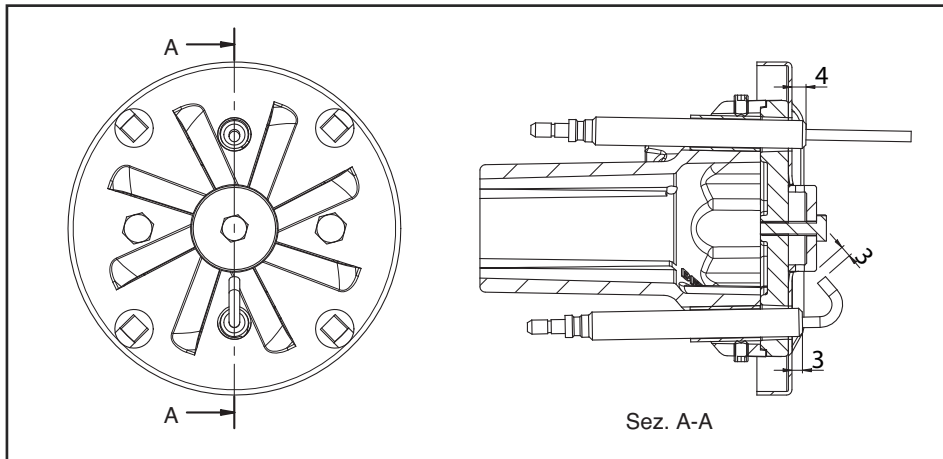
TRANSFORMATION AU GPL

KITLPG-MAXGAS...

Pour travailler avec le GPL, il faut acheter le kit GPL et le monter en respectant les instructions ci-jointes.



Installation - Raccordement électrique - Contrôles avant la mise en service



Position électrodes

Toujours vérifier la position des électrodes après leur remplacement ou le montage du KIT LPG. Une position erronée des électrodes pourrait causer des problèmes d'allumage ou de révélation.

Raccordement électrique

L'installation électrique et les travaux de raccordement doivent être réalisés exclusivement par le personnel qualifié et autorisé.

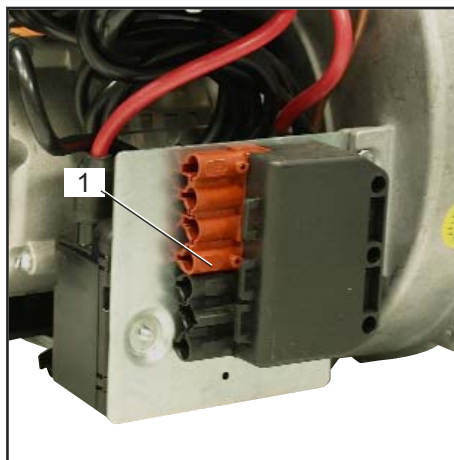
Les prescriptions et directives en vigueur doivent être respectées.

L'installation d'alimentation devra être munie d'un interrupteur différentiel de type A.

Respecter obligatoirement les prescriptions et les directives en vigueur, outre le schéma électrique fourni avec le brûleur!

- Vérifier si la tension électrique d'alimentation correspond à la tension indiquée dans le schéma électrique et sur la plaque signalétique.

Fusible sur la chaudière: 5 A

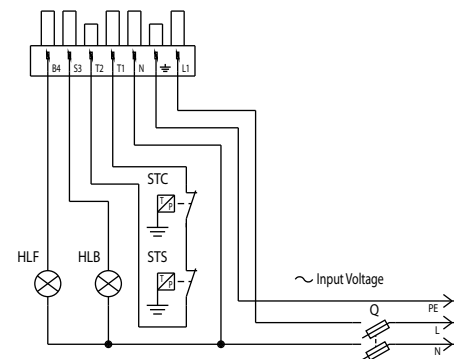


Raccordement électrique par connecteurs

Le brûleur doit pouvoir être déconnecté du réseau à l'aide d'un dispositif de coupure omnipolaire conforme aux normes en vigueur. Le brûleur et le générateur de chaleur (chaudière) sont reliés entre eux par un connecteur Wieland à sept pôles (fig.1).

Raccordement de la rampe de gaz

Raccorder la rampe de gaz aux prises situées sur le brûleur.



Mesure du courant d'ionisation

Pour la mesure du courant d'ionisation, débrancher le connecteur B10 et brancher un multimètre doté d'une gamme de mesure de 0 à 100 μ A.

Le courant d'ionisation doit être supérieur à 1,5 μ A. Il est également possible de consulter l'intensité du courant d'ionisation même avec l'outil diagnostique E-BCU.

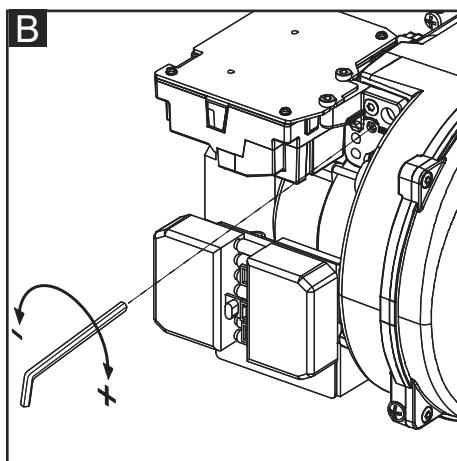
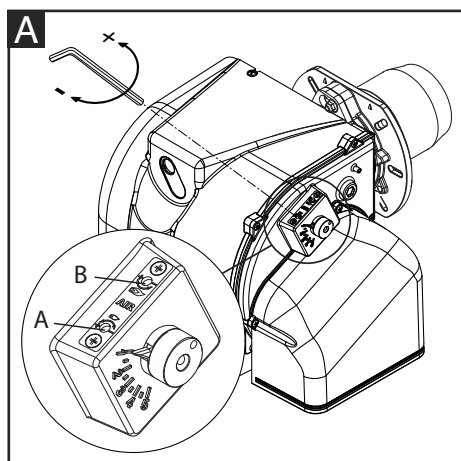


Contrôles avant la mise en service

Il convient de contrôler les points suivants avant la première mise en service.

- Montage du brûleur conformément aux présentes instructions.
- Préréglage du brûleur conformément aux indications du tableau de réglage.
- Réglage des organes de combustion.
- Le générateur de chaleur doit être prêt à fonctionner, les prescriptions d'exploitation du générateur de chaleur doivent être respectées.
- Toutes les connexions électriques doivent être réalisées correctement.
- Le générateur de chaleur et le Les données de réglage ci-dessus sont des réglages de base. Les données de réglage d'usine sont encadrées en gras et sur fond gris. Dans un cas normal, ces réglages permettent la mise en service du brûleur. Vérifier en tout état de cause soigneusement les valeurs de réglage. En général, en fonction de l'installation, des corrections doivent être apportées.
- Le système de chauffage sont remplis d'eau, les pompes de circulation sont en service.
- Le régulateur de température, le régulateur de pression, la protection contre le manque d'eau et les autres dispositifs de limitation et de sécurité éventuellement présents sont raccordés et opérationnels.
- La cheminée doit être dégagée et le dispositif d'air additionnel, si présent, en fonctionnement.
- Un apport d'air frais suffisant doit être garanti.
- La demande de chaleur doit être présente.
- Une pression de gaz suffisante doit être disponible.
- Les conduites de combustible doivent être montées dans les règles de l'art, leur étanchéité contrôlée et être purgées.
- Un point de mesure conforme aux normes doit être présent, le conduit de fumée jusqu'au point de mesure doit être étanche, de telle manière que les résultats de mesure ne soient pas faussés.

Mise en service - Réglage du brûleur



Régulation de l'air (A).

Agir sur les vies en figure:

- en tournant en sens inverse horaire, le débit augmente.
- en tournant en sens horaire, le débit il réduit.

Note: vis B non utilisé.

Régulation de la tête de combustion (B).

Agir sur les vies en figure:

- tourner avec une clé hexagonale jusqu'à la valeur souhaitée (index de 0 à 4.5).



Risque de déflagration:

Contrôler en permanence le CO, le CO₂ et les émissions de fumée pendant le réglage. En cas de formation de CO, optimiser les valeurs de combustion. La teneur en CO ne doit pas dépasser 50 ppm.

Diagrammes de pression de gaz en pièce jointe.

Pression de gaz minimum requis sont indiqués dans le diagrammes en pièce jointe. Ces valeurs proviennent de notre laboratoire d'essais et servent à la mise en marche du brûleur, le réglage doit être vérifié à l'aide d'un analyseur de combustion.

requis dans les diagrammes en pièce jointe.

Optimisation des valeurs de combustion

Le calibrage d'usine devra être modifié en fonction de la puissance requise.

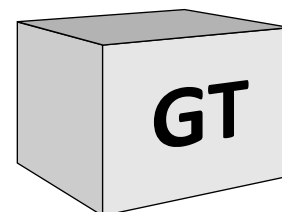
Les diagrammes du calibrage du registre/tête de combustion se trouvent en pièce jointe.

Réglage de la vanne de gaz

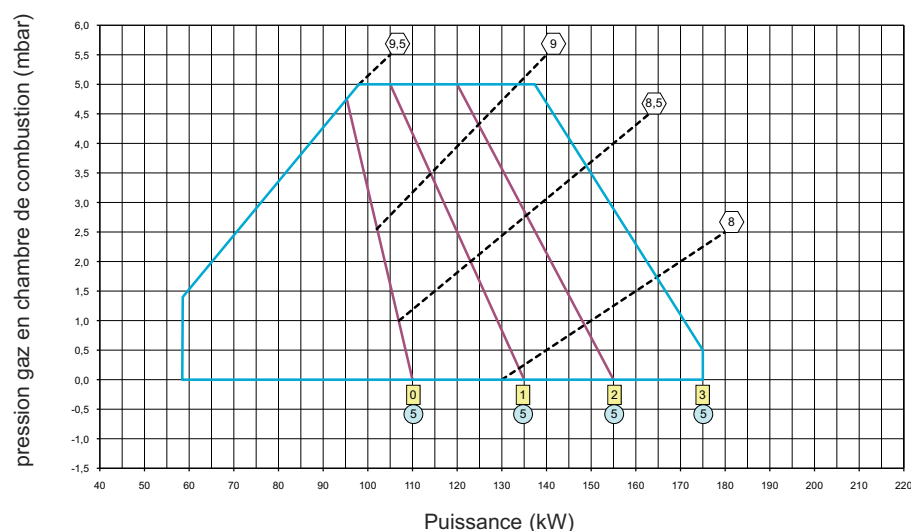
Régler les vannes de gaz en fonction des instructions du manuel de la rampe de gaz.

Comment lire les diagrammes et régler le brûleur:

- déterminer la puissance requise.
- déterminer la contre-pression dans la chambre.
- observer la pression du gaz minimum



MAX GAS 170 P NATURAL GAS



Attention: en cas d'installation sur une chaudière, respecter la température minimale des fumées d'évacuation en fonction des indications du fabricant de la chaudière et selon les exigences du système d'évacuation des fumées, afin d'éviter la formation de condensation.

○ pression gaz en tête mesurée sur la courbe (mbar)

■ position tête

○ position du registre d'air

Mise en service - Régulation des pressostat air et gaz

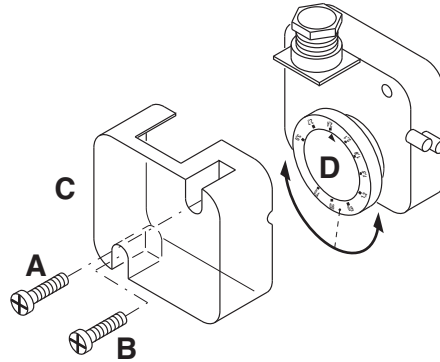
Réglage du pressostat d'air

Le pressostat d'air contrôle la pression de l'air de ventilation.

Dévisser les vis A et B et enlever le couvercle C.

Après avoir calibré l'air et le gaz, alors que le brûleur fonctionne, tourner lentement la bague D dans le sens des aiguilles d'une montre jusqu'à l'arrêt de blocage du brûleur. Lire la valeur indiquée sur la bague et la réduire de 15%.

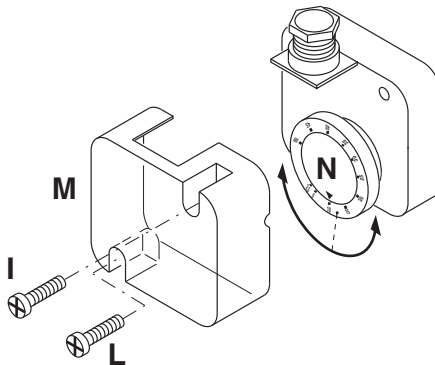
ATTENTION: le pressostat évitera que la pression de l'air ne descende sous 85% de la valeur programmée, en évitant ainsi que le CO des fumées ne dépasse 1%(10000 ppm).



Réglage du pressostat du gaz min.

Le pressostat gaz mini a la fonction de vérifier que la pression du gaz avant la vanne soit à la valeur minimale pour que le brûleur fonctionne correctement.

Dévisser les vis I et L et enlever le couvercle M. - Positionner le régulateur N à un valeur équivalent au 60% de la pression nominale d'alimentation du gaz (par ex.: pour gaz nat. avec pression nom. de 20 mbar, positionner le régulateur à une valeur de 12 mbar; pour G.L.P. avec pression nom. G30/G31 30/37 mbar, positionner le régulateur à 18 mbar). - Remonter le couvercle M et visser les vis I et L.



Contrôle de fonctionnement

Il convient de procéder à un contrôle de sécurité de la surveillance de flamme aussi bien lors de la première mise en service qu'après des révisions ou un arrêt prolongé de l'installation.

- Essai de démarrage avec la vanne de gaz fermée:

L'appareillage de contrôle devra signaler le non fonctionnement par absence de gaz ou se bloquer une fois le temps de sécurité écoulé.

Maintenance - Entretien

Les travaux d'entretien sur la chaudière et sur le brûleur ne doivent être exécutés que par un spécialiste en chauffage. Afin d'assurer des opérations d'entretien régulières la souscription d'un contrat d'entretien doit être recommandée à l'utilisateur de l'installation.

Attention

- Avant toute intervention d'entretien et de nettoyage, couper l'alimentation électrique.
- L'gueulard et les composantes de la

tête peuvent être chauds.

Contrôle des températures des gaz de combustion

- Contrôler régulièrement la température des gaz de combustion.
- Nettoyer la chaudière lorsque la température des gaz de combustion dépasse la valeur à la mise en service de plus de 30°C.
- Utiliser un afficheur de température des gaz de combustion pour faciliter le contrôle.

Positions d'entretien du brûleur

- Après avoir desserré la vis 5 et décroché le brûleur, on peut fixer dans trois positions d'entretien.

Position 1

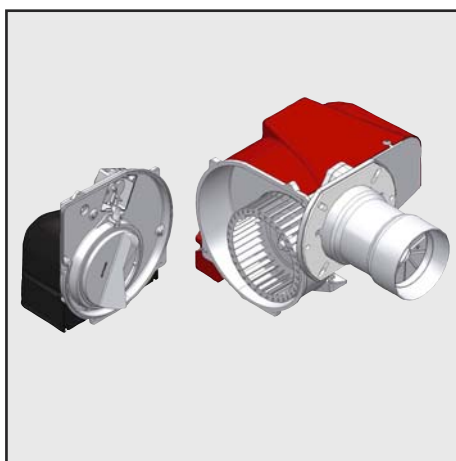
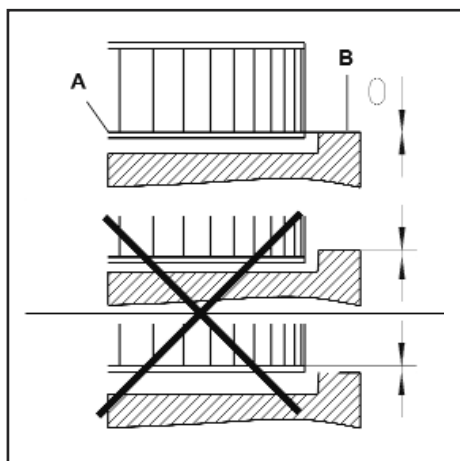
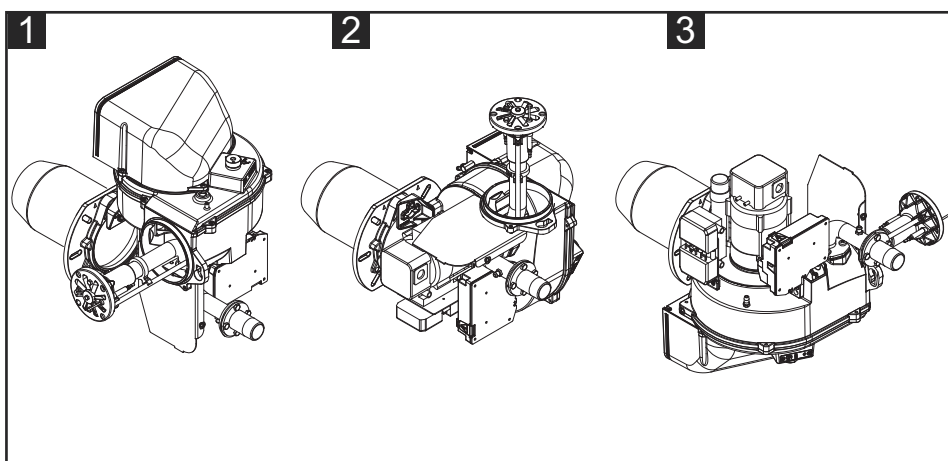
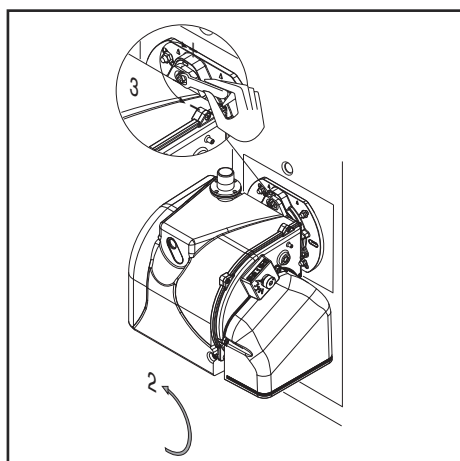
Entretien ligne d'air (nettoyage/remplacement du ventilateur)

Position 2

Entretien tête de combustion.

Position 3

Entretien composantes.



- Vérifier toutes les connexions électriques et les câbles, et les remplacer si nécessaire.
- Vérifier le filtre gaz, le cas échéant le nettoyer ou le remplacer.
- Nettoyer la turbine et le carter, et vérifier qu'ils ne sont pas endommagés.
- Vérifier et nettoyer la tête de combustion.
- Vérifier les électrodes, les régler ou les remplacer si nécessaire.
- Démarrer le brûleur, vérifier la combustion, et corriger les réglages du brûleur si nécessaire.
- Vérifier le manostat d'air et le manostat gaz.
- Vérifier l'aptitude au réglage de la rampe gaz.
- Contrôler le fonctionnement.

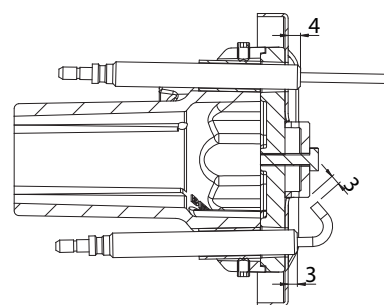
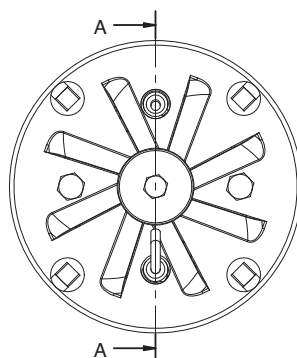
Montage de la turbine

Lors du changement du moteur ou de la turbine, se référer au schéma de positionnement.

Le flasque interne **A** de la turbine doit être aligné avec la platine **B**. Insérer un réglet entre les aubes de la turbine et amener **A** et **B** à la même hauteur, serrer la vis sans tête avec une encoche sur le ventilateur (position d'entretien 1).

Positions d'entretien

- Tous les composants d'alimentation en combustible (flexibles, canalisations) et leurs accouplements respectifs devraient être vérifiés (étanchéité, usure) et changés si nécessaire.



Sez. A-A

Maintenance - Problèmes possibles

Causes et élimination des anomalies

En présence d'anomalies, es conditions de fonctionnement normal doivent être vérifiées:

1. Y a-t-il du courant?
2. Y a-t-il de la pression de gaz?
3. Est-ce que le robinet d'arrêt du gaz est ouvert ?
4. Tous les appareils de régulation et de sécurité tels que thermostat de chaudière, protection contre le manque d'eau, interrupteur de fin de course, sont-ils réglés?

Au cas où, après je contrôle des points susdits, l'anomalie persistait, employer le suivant tableau.

Les composantes de sécurité ne doivent pas être réparés, mais plutôt ils doivent être substitué avec des composantes rapportant le même code article.

Utiliser exclusivement des pièces de rechange d'origine.

NB: Après toute intervention contrôler:
 - es valeurs de combustion en conditions de exercice (porte de la locale chaudière écluse, couverture montée, etc).
 - enregistrer les valeurs de combustion dans le livret de central.

Afficheur E-BCU : l'interface doit exclusivement être utilisée par

personnel qui effectue le service pour pouvoir lire les anomalies du brûleur.



Symbole	Constats	Causes	Remèdes
	Pas de demande de chaleur	Thermostat mal réglé ou défectueux	Vérifier / remplacer le thermostat.
	Le brûleur ne démarre pas après la fermeture thermostatique. Il n'y a pas d'affichage de défaut sur le coffret de commande et de sécurité.	Baisse ou défaillance de la tension d'alimentation électrique. Défaut au niveau du coffret.	Vérifier la cause de la baisse ou de l'absence de tension. Remplacer le coffret.
	Le brûleur démarre à la mise sous tension durant un temps très court et s'arrête, allumage du voyant de blocage	Le coffret a été volontairement verrouillé	Débloquer nouvellement le programmeur de je commande.
	Le brûleur ne démarre pas.	Pressostat d'air : position de fonctionnement, Réglage erroné. Contact soudé.	Régler le pressostat Remplacer le pressostat
	Le brûleur ne démarre pas. La pression de gaz est plaine.	Pression de gaz insuffisante. Le pressostat gaz est déréglé ou défectueux.	Vérifier les canalisations de gaz. Nettoyer le filtre. Vérifier le pressostat du gaz ou remplacer l'unité de gaz compacte.
	Le ventilateur du brûleur se met en route. Le brûleur ne démarre pas.	Pressostat d'air : le contact ne se ferme pas.	Contrôler le capteur de pression (corps étranger) et vérifier le câblage.
	Le ventilateur du brûleur se met en route. Le brûleur ne démarre pas.	Flamme parasite pendant le temps de préventilation ou le temps de préallumage.	Contrôler la vanne. Contrôler la surveillance de la flamme.
	Le brûleur démarre, l'allumage se met en route, ensuite il y a interruption	<ul style="list-style-type: none"> - Absence de flamme à la fin du temps de sécurité. - Le débit de gaz est mal réglé. - Défaut dans le circuit de surveillance de la flamme. - Pas d'étincelles d'allumage. - Court-circuit d'une ou de plusieurs électrodes. - Le(s) câble(s) d'allumage est (sont) endommagé(s) ou défectueux. - Le transformateur est défectueux. - Coffret de sécurité est défectueux - Les électrovannes ne s'ouvrent pas. - Blocage des vannes 	<ul style="list-style-type: none"> - Régler le débit de gaz. - Vérifier l'état et la position de la sonde d'ionisation par rapport à la masse. - Vérifier l'état et les raccordements du circuit d'ionisation (câble et pont de mesure). - Régler les électrodes, nettoyer ou remplacer. - Brancher le ou les câbles ou remplacer - Remplacer le transformateur - Remplacer le coffret de sécurité - Contrôler les câblages entre le coffret et les composants externes. - Remplacer l'unité de gaz compacte - Remplacer la vanne du gaz
	Défaillance de la flamme en cours de fonctionnement.	<ul style="list-style-type: none"> - Pressostat d'air : le contact s'ouvre au démarrage ou pendant le fonctionnement. - Défaillance de la flamme en cours de fonctionnement. 	Régler ou remplacer le pressostat Contrôler la sonde d'ionisation Régler ou remplacer le coffret de sécurité

Contenidos generales - índice - advertencias generales - Declaración de conformidad

Descripción	Datos técnicos	3
	Ámbito de funcionamiento	4
	Dimensiones	5
Contenidos	índice	36
	Advertencias generales	36
	Declaración de conformidad	36
	Descripción del quemador	37
Función	Funciones generales de seguridad	38
	Equipo control llama y de seguridad E-BCU GAS	39
Instalación	Montaje del quemador	40
	Conexión eléctrica	41
	Comprobaciones previas a la puesta en servicio	41
Puesta en servicio	Ajuste del quemador	42
	Ajuste de los presostatos de aire y gas	43
Mantenimiento	Conservación	44
	Posibles inconvenientes	45
Descripción	Diagramas de presión de gas	56-57
	Esquemas eléctrico	58
	Piezas de recambio	59-61

Advertencia

Los quemadores MAX GAS 170-250 P se han concebido para la combustión de gas natural y de gas propano con bajas emisiones contaminantes. Los quemadores cumplen la norma EN 676, desde el punto de vista del diseño y del funcionamiento. La instalación, la puesta en marcha y el mantenimiento deben ser realizados exclusivamente por técnicos instaladores autorizados siguiendo las directivas y recomendaciones vigentes.

Descripción del quemador

Los quemadores MAX GAS 170-250 P son aparatos monobloque de una etapa y con un funcionamiento completamente automático. La construcción especial del cabezal de combustión permite obtener una combustión con un índice de óxidos de nitrógeno débil y un coeficiente de rendimiento elevado. Los valores de las emisiones corresponden a la clase 3, tal como la define la EN676 ($\text{NO}_x < 80 \text{ mg/kWh}$).

Según la geometría del hogar, la carga del mismo y el sistema de combustión (caldera de tres pasos de humos, caldera con hogar de fondo ciego), pueden obtenerse valores de emisiones diferentes.

Son adecuados para todo tipo de generadores de calor que cumplan la

norma EN 303 o para generadores-pulsadores de aire caliente fabricados según la norma DIN 4794 o DIN 30697, en su intervalo de potencias. Cualquier otro uso debe ser objeto de una solicitud de autorización a Ecoflam. Para un funcionamiento completamente seguro, respetuoso con el medio ambiente y económico desde el punto de vista energético, se deben tener en cuenta las siguientes normas:

EN 676

Quemadores de gas de aire soplado

EN 226

Conexión de quemadores de gasóleo y de gas de aire soplado a un generador de calor.

EN 60335-1, -2-102

Seguridad de los dispositivos eléctricos para un uso doméstico, normas especiales para dispositivos de combustión de gas.

Condiciones de instalación

El quemador no se debe poner en servicio en locales expuestos a vapores agresivos (por ejemplo laca para el cabello, tetracloroetileno, tetracloruro de carbono), con gran cantidad de polvo o alto grado de humedad del aire (por ejemplo en

Declaración de conformidad para quemadores de gas

Nosotros,

Ecoflam Bruciatori S.p.A.

declaramos bajo nuestra responsabilidad que los quemadores de gasóleo

MAX GAS

cumplen las normas siguientes :

EN 676: 2008

EN 60335-1: 2008

EN 60335-2-30: 2006

EN 60335-2-102: 2007

EN 55014-1: 2008 + A1: 2009

EN 55014-2: 1998 + A1: 2001 + A2: 2008

Estos productos están marcados con la marca CE de conformidad con la directivas:

2009/142/EEC Gas Appliance Directive

2006/95/EEC Low Voltage Directive

2004/108/EEC EMC Directive

2006/42/EC Machinery directive

Resana, 28 de junio 2011

M. PANIZZON

lavanderías). Es necesario que el local de instalación disponga de una ventilación adecuada para garantizar las condiciones para una buena combustión. Las disposiciones locales pueden indicar requisitos diferentes.

No quedan cubiertos por la garantía los daños resultantes de las siguientes causas:

- uso inadecuado.

- montaje defectuoso, instalación realizada por el comprador o un tercero, uso de piezas no originales.

Entrega de la instalación y consejos de uso

El instalador del sistema debe facilitar al usuario de la misma, como muy tarde en el momento de la entrega, las instrucciones de uso y mantenimiento. éstas deben conservarse en un lugar bien visible de la sala de calderas. Deben contener la dirección y número de teléfono del servicio de atención al cliente más cercano.

Advertencia para el operador

Al menos una vez al año, un técnico especialista deberá revisar la instalación. Para garantizar que dicha revisión se realice de una manera regular, es muy recomendable suscribir un contrato de mantenimiento.

Los quemadores Ecoflam se han diseñado y construido de acuerdo con las normativas y directivas corrientes. Todos los quemadores responden a las normativas sobre la seguridad y sobre el ahorro energético en el límite del campo de trabajo declarado. La calidad del producto está garantizada por el sistema de certificación según la norma ISO 9001:2008.



Contenidos generales - Descripción del quemador

MAX GAS 170 LN P TC SGT 230-50 TW

NOMBRE

MAX GAS Gas

MODELO (Gas: kW; Gasóleo: kg/h)

MAX GAS 170 175 kW

EMISIONES

LN Low NOx Clase 3 GAS EN676 (<80 mg/kWh)
 - Standard Clase 2-GAS EN676 (<120 mg/kWh)

TIPO DE OPERACIÓN

P 1 llama

TIPO DE CABEZA

TC Cabeza corta
 TL Cabeza larga

COMBUSTIBLE

Gas Natural
 LPG Gas Propano

EQUIPMENT

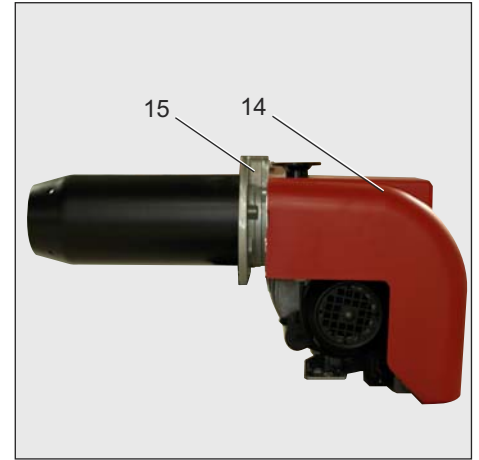
SGT Rampa de gas separado

TENSION DE ALIMENTACIÓN

230-50 230 Volt, 50 Hz

EQUIPO CONTROL LLAMA

TW Thermowatt

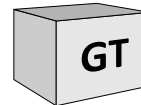
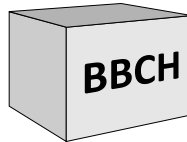


- A1 E_BCU GAS Cajetín de control y de seguridad gas
- F6 Presostat de aire
- M1 Motor eléctrico
- T1 Transformador
- Y Support cabeza combustión
- 3 Regulación del aire en la cabeza combustión
- 5 Fusión
- 8 Tubo de illama
- 10 Toma Wieland
- 14 Tapa de quemador
- 15 Brida del quemador
- 16 Botón de desbloqueo
- 103B Regulación del aire
- 113 Toma de aire

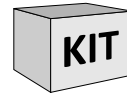
Embalaje

El quemador se entrega con un sistema modular de embalaje (cajas separadas) es decir, separadas set/box: **BBCH**: Quemador completo con cabezal de combustión y brida.

- 1 bolsa :
 - manual técnico multilingüe.
 - espina wieland.
 - llave hexagonal.
 - tornillo, tuercas y arandelas.

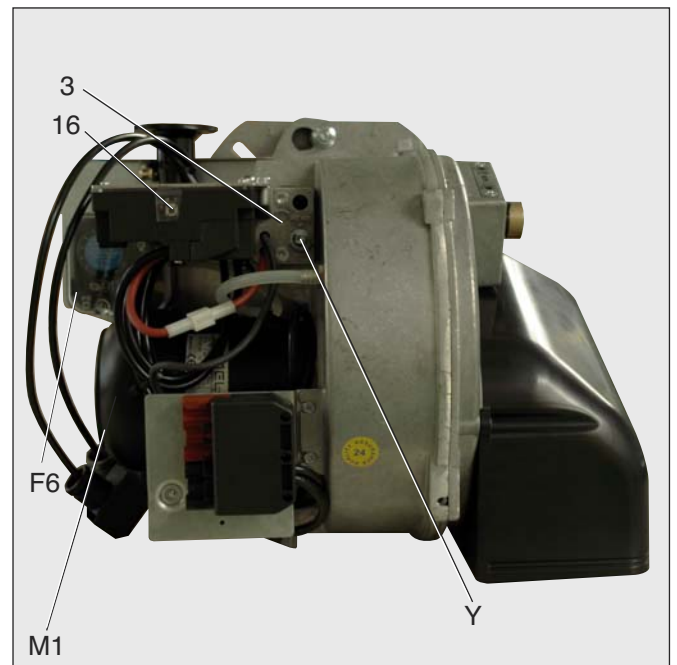
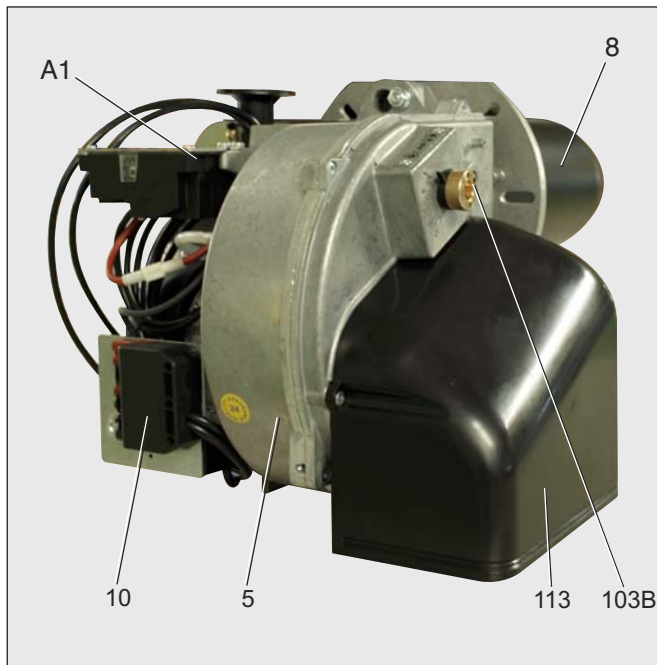


KIT & ACS disponibles y entregados por separado



GT: Rampa de gas por separado

KIT & ACS disponibles y entregados por separado



Función - Funciones generales de seguridad

Descripción del funcionamiento

Durante la primera activación, tras un corte de tensión o en caso de parada de seguridad tras una interrupción del suministro de gas o tras una parada de 24 horas, comienza un tiempo de preventilación de 24 s.

Durante el tiempo de preventilación:

- se vigila la presión de aire inyectado.
- control de la presencia de eventuales señales de llama anómalas.

Transcurrido el tiempo de preventilación

- el encendido entra en el circuito.
- la electroválvula principal y de seguridad está abierta.
- arranque del quemador.

Vigilancia

La llama se vigila por medio de una sonda de ionización. La sonda se monta, de manera que quede aislada, en el cabezal de gas y pasa a través del deflector a la zona de llama. La sonda no debe estar en contacto eléctrico con piezas que tengan

toma de tierra.

Si se produce un cortocircuito entre la sonda y la masa del quemador, el quemador indicará un fallo. Durante el funcionamiento se crea una zona ionizada en la llama de gas. Por esta zona circula una corriente rectificada hacia el extremo del quemador. La corriente de ionización debe ser superior a 1,5 μ A.

Funciones de seguridad

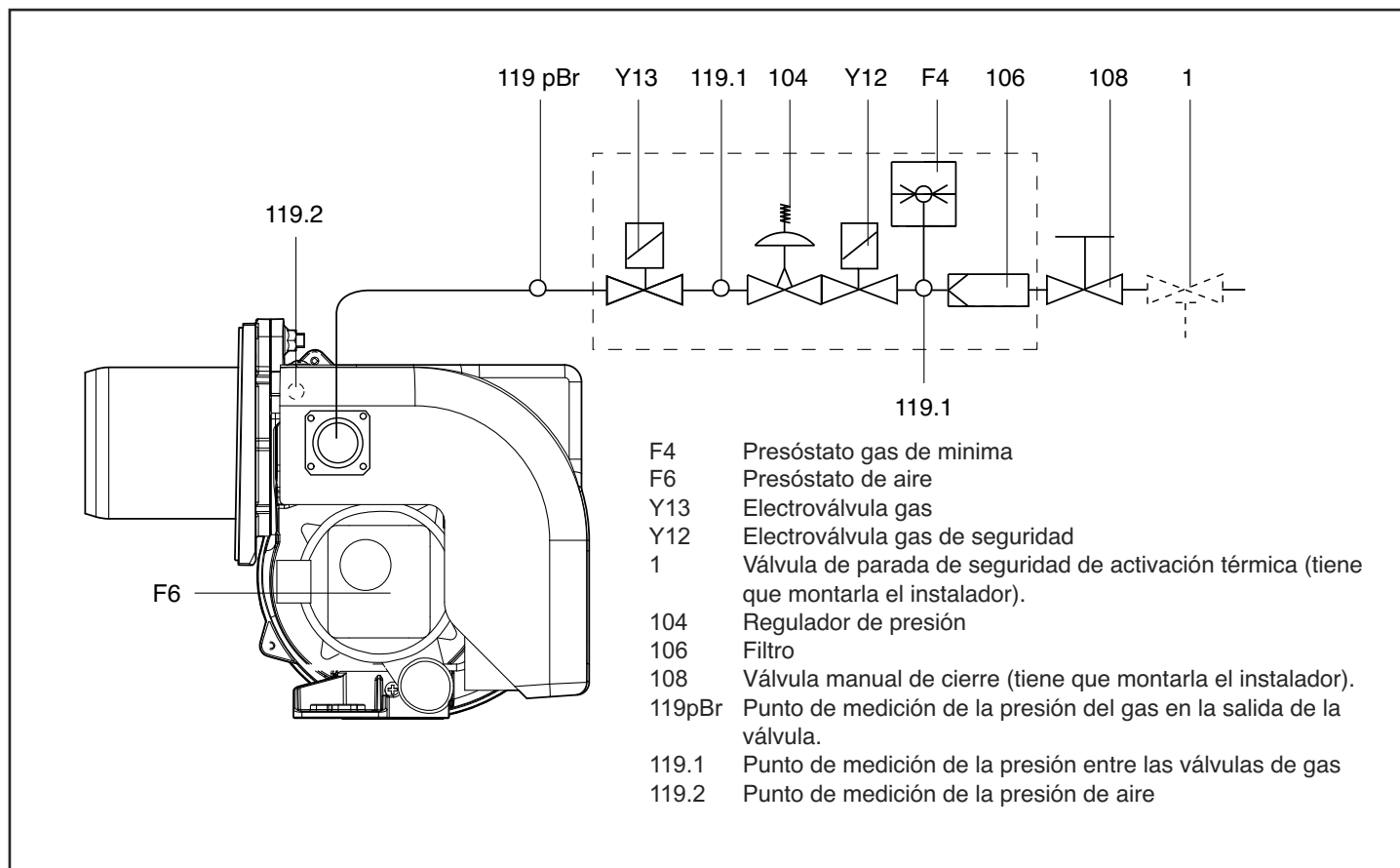
- Si no se produce llama al arrancar el quemador (salida de gas), el quemador se interrumpirá transcurrido el tiempo de seguridad de 3 segundos y la válvula de seguridad se cierra.
- En caso de fallar la llama durante el funcionamiento, la alimentación de gas se interrumpe en el espacio de un segundo. Se inicia una nueva puesta en marcha. Si el quemador se pone en marcha, continúa el ciclo de funcionamiento. En caso contrario se produce un bloqueo de seguridad.
- En caso de falta de aire durante la preventilación o el funcionamiento, se

produce el bloqueo de seguridad.

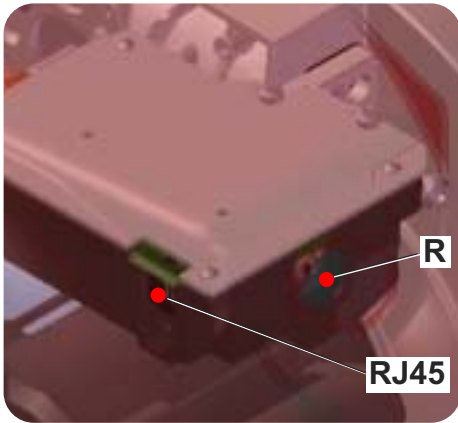
- En caso de falta de gas, el quemador no se pondrá en marcha o se detendrá. A continuación tendrá lugar un tiempo de espera de 2 minutos. A continuación tendrá lugar un nuevo intento de puesta en marcha. Si sigue sin haber presión de gas, tendrá lugar un nuevo tiempo de espera de dos minutos. El tiempo de espera sólo se interrumpirá con un corte de tensión eléctrica del quemador. Tiempo de espera: 3 x 2 min., seguido de 1 hora.

Parada de ajuste

- El termostato de regulación interrumpe la solicitud de calor.
- Las válvulas de gas se cierran.
- La llama se apaga.
- El motor de ventilación se detiene.
- El quemador está listo para funcionar.



Función - Equipo control llama y de seguridad E-BCU GAS



El programador de control y seguridad de gas E-BCU GAS comanda y supervisa el quemador de aire soplado. Gracias al programa de gestión del microprocesador, se obtienen tiempos extremadamente estables, independientes de las oscilaciones de la tensión en la red o de la temperatura ambiente. El programador de comando y seguridad fue proyectado para trabajar con bajas tensiones. Si la tensión da la red desciende por debajo de los valores mínimos (170 V), el programador de comando se desactiva, sin mostrar una señal de error. Una vez que la tensión arriba por encima de los 178 V, el programador arranca nuevamente.

Bloqueo y desbloqueo

El programador de comando se puede bloquear (en condiciones de anomalía) y desbloquear (eliminación de la anomalía) mediante el pulsador "R" en las condiciones que el programador de comando presente tensión en la red.

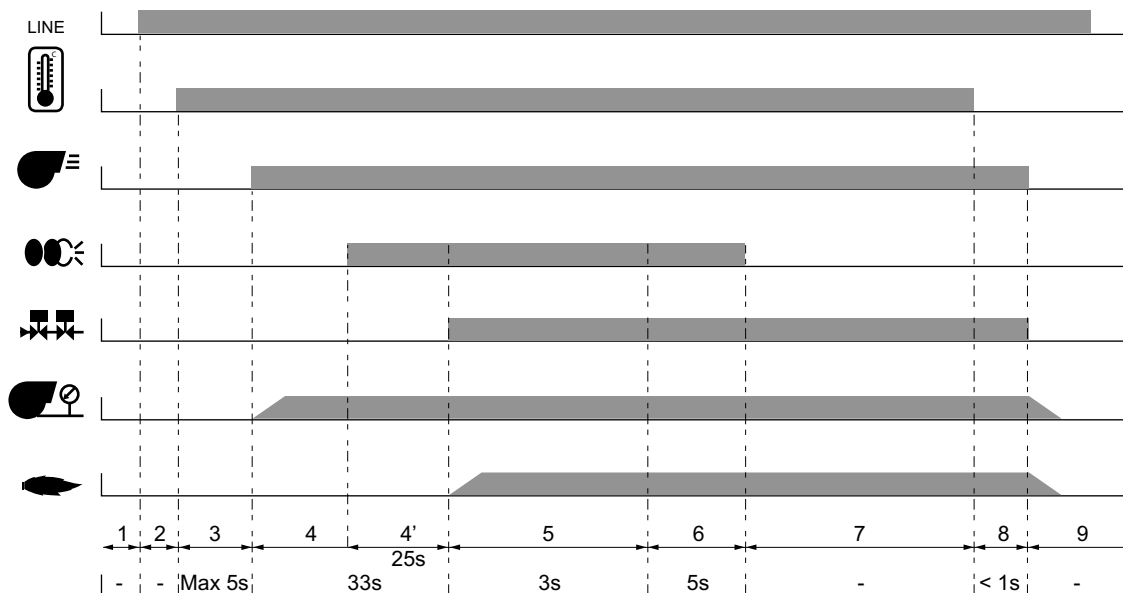
- R** - Boteón de reinicio + led indicación de bloqueo.
- RJ45** - Conector para la interfaz de PC (diagnóstico, ítem separado).



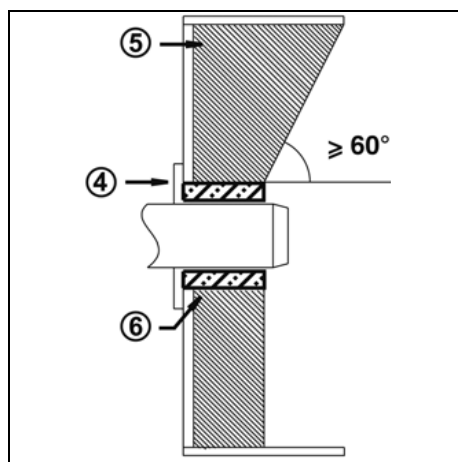
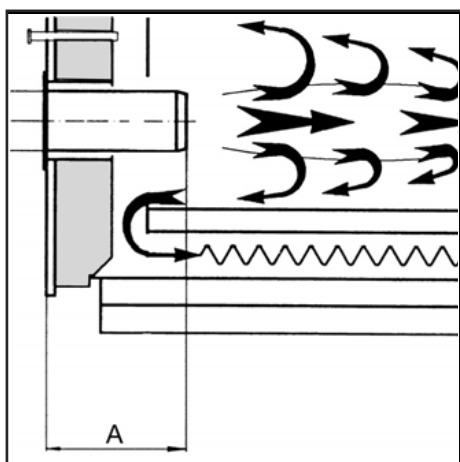
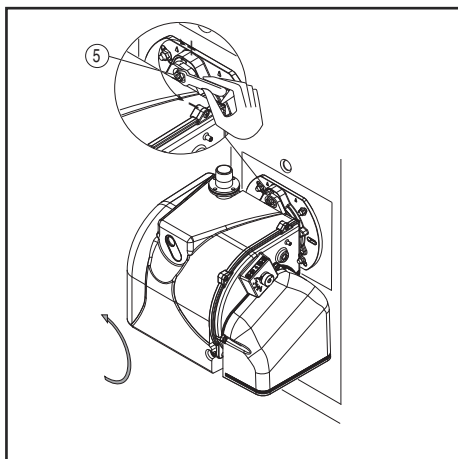
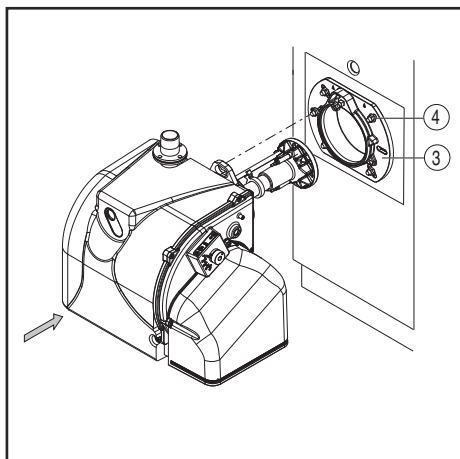
Kit E-BCU tool diagnóstico (no incluido)

! Antes del montaje o del desmontaje del programador de comando, el equipo debe ser desconectado de la red de alimentación. El programador de comando no debe ser abierto o reparado.

Símbolo	Descripción
	Espera de solicitud de calor de la caldera
	Activación válvula de combustible
	Tiempo de espera del presostato de aire durante la puesta en marcha
	Alimentación del motor
	Activación del transformador
	Llama presente



Instalación - Montaje del quemador

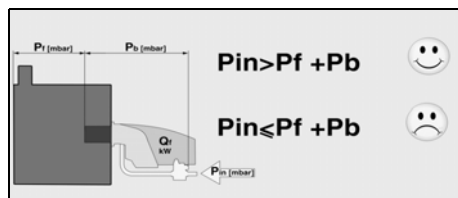
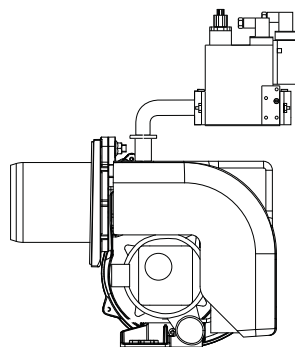


Línea alimentación del gas

En la instalación de la línea de alimentación y de la rampa del gas es necesario cumplir con las disposiciones de la EN676. Se tiene que instalar el Kit obligatorio EN676. El instalador tendrá que ocuparse de montar ulteriores accesorios para satisfacer eventuales normativas locales.

Disposiciones de tipo general para la conexión del gas

- La conexión de la rampa del gas a la red del gas tiene que efectuarla exclusivamente un técnico experto autorizado.
- La sección del tubo del gas tiene que prepararse de manera que la presión de alimentación del gas no pueda disminuir por debajo del valor establecido.
- Se tiene que montar al inicio de la rampa del gas una válvula de cierre manual (no suministrada).



LEYENDA

Pf: Controresión en cámara de combustión
 Pb: Presión gas quemador (cabeza de combustión + rampa de gas).
 Pin: Presión mínima de suministro

Montaje del quemador

El quemador se fija a la brida de encaje y por consiguiente a la caldera, de esta forma la cámara de combustión se cierra herméticamente.

Montaje:

- Fijar la brida de encaje 3 a la caldera con los tornillos 4.
- Girar ligeramente el quemador, introducirlo en la brida y fijarlo con el tornillo 5.

Desmontaje:

- Aflojar el tornillo 5.
- Girar el quemador y extraerlo de la brida.

Profundidad de montaje del tubo del quemador y guarnecido de albañilería

Para los generadores sin pared delantera enfriada y en ausencia de indicaciones contrarias del fabricante de la caldera, es necesario realizar un guarnecido de albañilería o un aislamiento (5) según la ilustración contigua.

El guarnecido de albañilería no debe sobresalir del borde delantero del tubo de llama y su conicidad no debe ser superior a 60°. El hueco de aire (6) debe rellenarse con un material de aislamiento elástico y no inflamable.

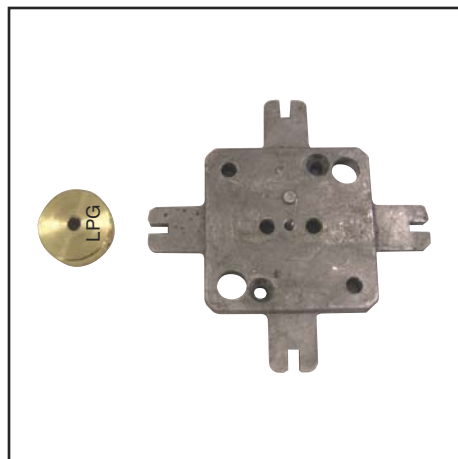
Conducto de humo

Con el fin de evitar posibles emisiones acústicas desagradables, se recomienda evitar las piezas de conexión con ángulos rectos durante la conexión de la caldera a la chimenea.

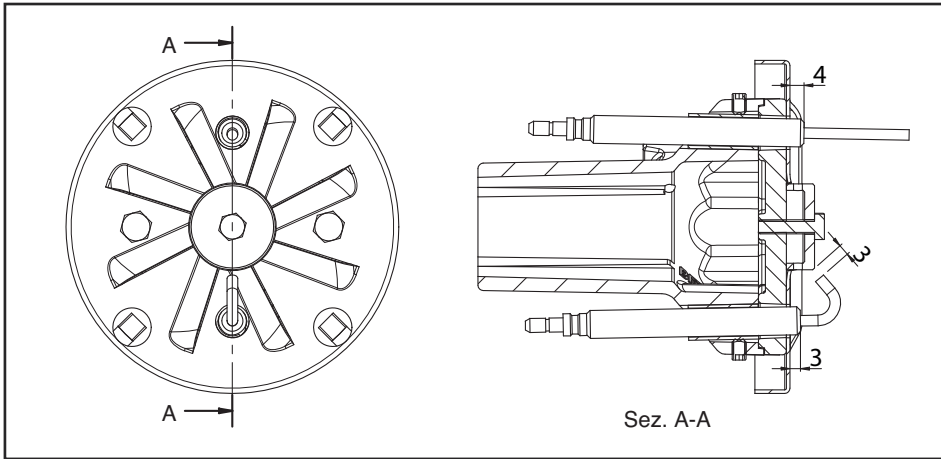
CONVERSIÓN DE GPL

KITLPG-MAXGAS...

Para trabajar con GPL es necesario comprar el Kit GPL y montarlo siguiendo las instrucciones adjuntas.



Instalación - Conexión eléctrica - Comprobaciones previas a la puesta en servicio



Posición del electrodo

Comprobar siempre la posición de los electrodos tras su sustitución o el montaje del KIT LPG. Una posición errónea puede provocar problemas de encendido o detección.

Conexión eléctrica

La instalación eléctrica y los trabajos de conexión debe realizarlos exclusivamente por personal autorizado.

Deben seguirse las recomendaciones y las directivas vigentes.

El equipo de alimentación tiene que disponer de un interruptor diferencial de tipo A.

Respetar obligatoriamente las disposiciones y las directivas en vigor, además del esquema eléctrico suministrado con el quemador!

• Compruebe si la tensión eléctrica de alimentación se corresponde con la tensión de funcionamiento indicada en el esquema eléctrico y en la placa de características.

Fusible de la caldera : 5 A

Conexión eléctrica mediante conectores

El quemador debe poder desconectarse de la red por medio de un dispositivo de corte unipolar acorde con la normativa vigente. El quemador y el generador de calor (caldera) están conectados entre sí por un conector a espia Wieland a siete polos (fig. 1).

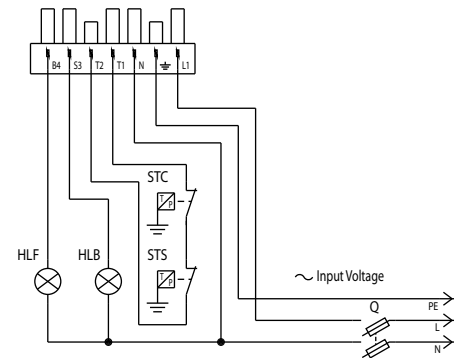
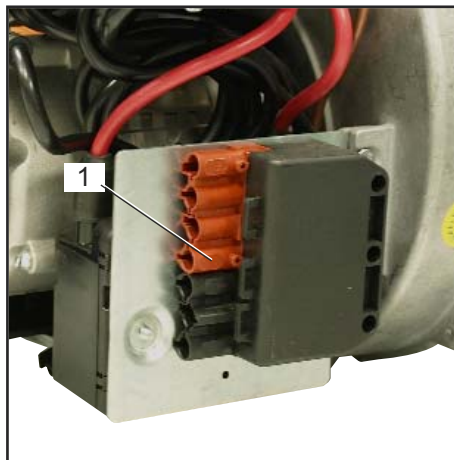
Conexión de la rampa del gas

Efectuar la conexión de la rampa del gas con las tomas situadas en el quemador.

Medición de la corriente de ionización

Para la medición de la corriente de ionización, retirar el puente de medición B10 y conectar un aparato de medición de tipo multímetro con un intervalo de medición de 0-100 μ A.

La corriente de ionización debe ser superior a 1,5 μ A. Se puede controlar la intensidad de la corriente de ionización con el tool diagnóstico E-BCU.

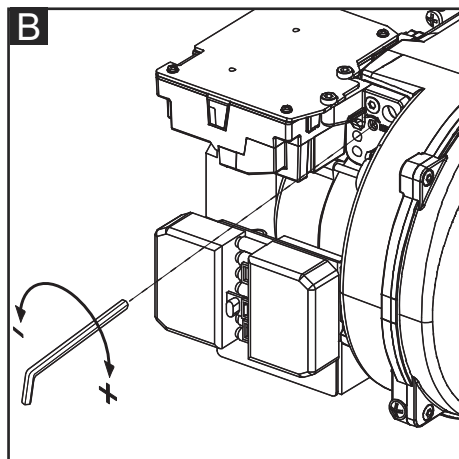
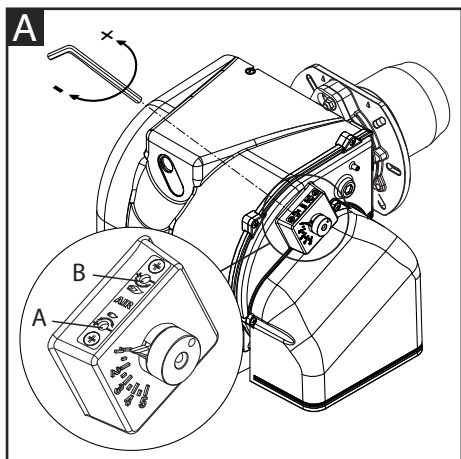


Comprobaciones previas a la puesta en servicio

Conviene controlar los siguientes puntos antes de la puesta en servicio.

- Montaje del quemador de conformidad con las presentes instrucciones.
- Ajuste previo del quemador según las indicaciones del cuadro de ajuste.
- Ajuste de los dispositivos de combustión.
- El generador de calor debe estar listo para funcionar; deben respetarse sus recomendaciones de utilización.
- Todas las conexiones eléctricas deben realizarse correctamente.
- El generador de calor y el sistema de calefacción deben estar lo suficientemente llenos de agua; las bombas de circulación deben funcionar.
- El regulador de temperatura, el regulador de presión, la protección contra la falta de agua y el resto de dispositivos de limitación y de seguridad que puedan encontrarse presentes están conectados y operativos.
- La chimenea debe estar despejada y el dispositivo de aire adicional, si se encuentra instalado, en funcionamiento.
- Se debe garantizar un aporte suficiente de aire fresco.
- La solicitud de calor debe estar presente.
- Tiene que estar disponible una presión de gas suficiente.
- Los conductos de combustible deben estar montados según las reglas del oficio, su estanqueidad comprobada y estar purgados.
- Debe existir un punto de medición conforme a las normas; el conducto de humos hasta el punto de medición debe ser estanco, de tal forma que los resultados de medición no se falseen.

Puesta en servicio - Ajuste del quemador



Reglaje del aire (A).

Accionar el tornillo de la figura:

- girando en el sentido contrario de las agujas del reloj, el caudal aumenta.
- girando en el sentido al de las agujas del reloj, el caudal disminuye.

Nota: tornillo B no utilizado.

Reglaje de la cabeza de combustión(B).

Accionar el tornillo de la figura:

- girar con una llave hexagonal hasta alcanzar el valor deseado (índice de 0 a 4,5).

! Existe riesgo de deflagración: controle constantemente el CO, el CO₂ y las emisiones de humo durante el ajuste. En caso de formación de CO, optimice los valores de combustión. El contenido de CO no debe ser superior a 50 ppm.

Diagramas de presión de gas en el apéndice

Presión de gas mínimo requerido se indican en los diagramas en el apéndice. Estos valores se han obtenido en nuestro laboratorio de ensayos y son útiles para la puesta en función del quemador, el ajuste se tiene que comprobar luego utilizando un analizador de combustión.

requerido en los diagramas en el apéndice.

Optimizar los valores de combustión

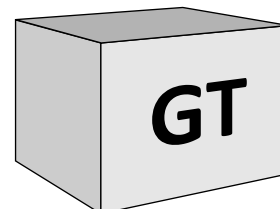
La calibración de fábrica se tendrá que modificar según la potencia solicitada. Los diagramas de la calibración de la compuerta y del cabezal de combustión, se encuentran en el apéndice.

Ajuste de la válvula del gas

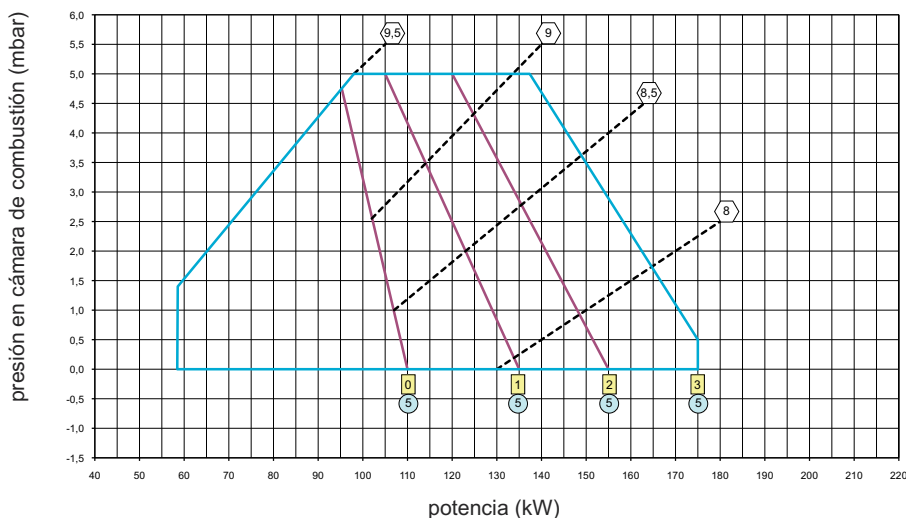
Regular las válvulas del gas según las instrucciones del manual de la rampa del gas.

Cómo leer los diagramas y ajustar el quemador:

- establecer la potencia solicitada.
- establecer la presión de retorno en la cámara.
- obtener la presión de gas mínimo



MAX GAS 170 P NATURAL GAS



Atención: en caso de instalación sobre caldera, respetar la temperatura mínima de los gases de combustión según las indicaciones del fabricante de la caldera y según los requisitos del sistema de escape de dichos gases, para evitar la formación de condensación.

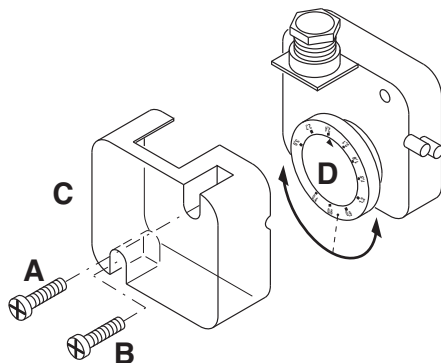
- presión de gas en la cabeza medida a la recta (mbar)
- posición de la cabeza
- posición de la compuerta de aire

Puesta en servicio - Regulación de presóstati aire y gas

Regulación del presóstato aire

El presóstato aire controla la presión de ventilación de aire.

Destornillar los tornillos A y B y quitar la tapa C. Después de la calibración del aire y del gas, con el quemador en función, girar lentamente en el sentido de las agujas del reloj la abrazadera D hasta el tope de bloqueo del quemador. Leer el valor indicado en la abrazadera y reducirlo un 15%. Remontar la tapa C y atornillar los tornillos A y B.

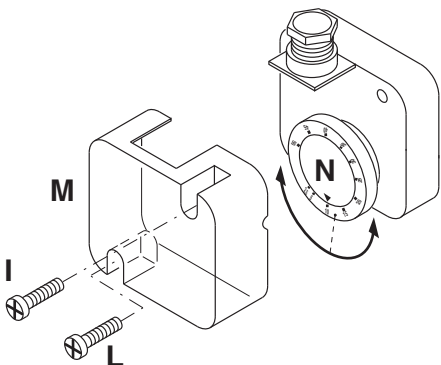


ATENCIÓN: el presostato evitará que la presión del aire disminuya por debajo del 85% del valor configurado, evitando de esta forma que el CO en los humos supere el 1% (10000 ppm).

Regulación del presóstato gas de mínima

El presóstato gas de mínima tiene la función de verificar que la presión de gas antes de la rama de gas tenga la mínima presión para asegurar que el quemador funcione correctamente.

Destornillar los tornillos I y L y quitar la tapa M. Posicionar el regulador N a un valor igual al 60% de la presión nominal de alimentación el gas (ej. para gas nat. con pres. nom. de alim. de 20 mbar, regulador regulado al valor de 12 mbar; para G.P.L. con pres. nom. de alim. G30-G31 30/37 mbar, regulador regulado al valor 18 mbar). Remontar la tapa M y atornillar los tornillos I y L.



Control de funcionamiento

Es necesario efectuar un control de seguridad del seguimiento de la llama, tanto con motivo de la primera puesta en función como tras haber efectuado una revisión o tras un largo periodo de inactividad del equipo.

- Prueba de puesta en marcha con el grifo del gas cerrado: el equipo de control tendrá que señalar el no funcionamiento por ausencia de gas o bloquearse al final del tiempo de seguridad.

Mantenimiento - Conservación

Las operaciones de mantenimiento de la caldera debe llevarlas a cabo un técnico especialista en calefacción. Para garantizar la realización anual de los trabajos de mantenimiento, se recomienda firmar un contrato de mantenimiento.

Atención

- Antes de realizar cualquier intervención de mantenimiento y limpieza, cortar el suministro eléctrico.
- La tobera y los componentes del cabezal pueden estar calientes.

Control de las temperaturas de los gases de combustión

- Compruebe con regularidad la temperatura de los gases de combustión.
- Limpie la caldera cuando la temperatura de los gases de combustión supere el valor de puesta en servicio en más de 30 °C.
- Utilice un indicador de temperatura de los gases de combustión para facilitar la comprobación.

Posiciones de mantenimiento del quemador

- Después de aflojar el tornillo 5 y de desenganchar el quemador, es posible fijarlo en tres posiciones de mantenimiento.

Posición 1

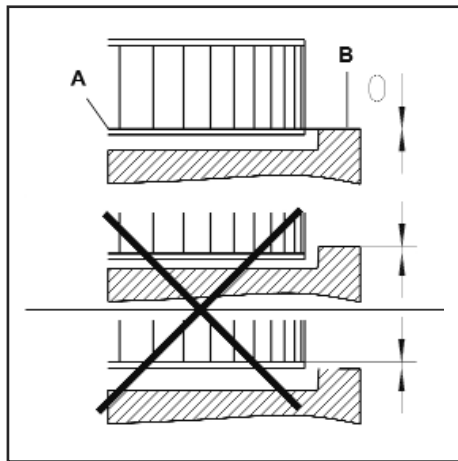
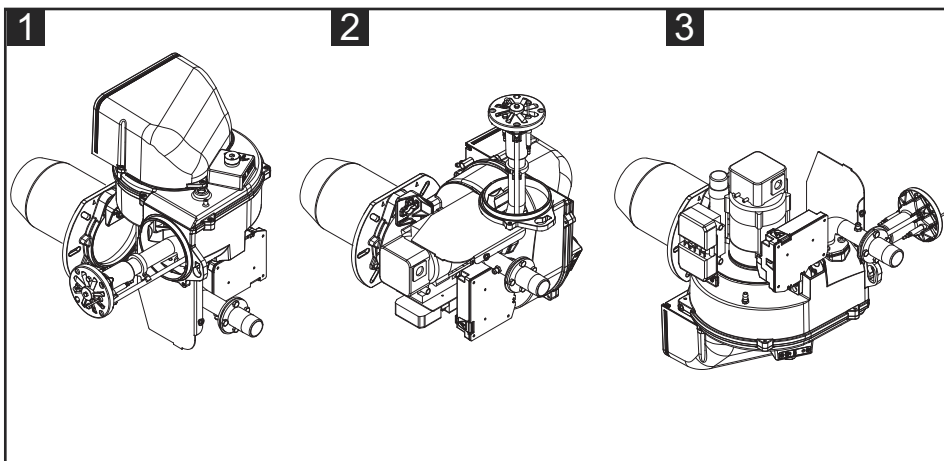
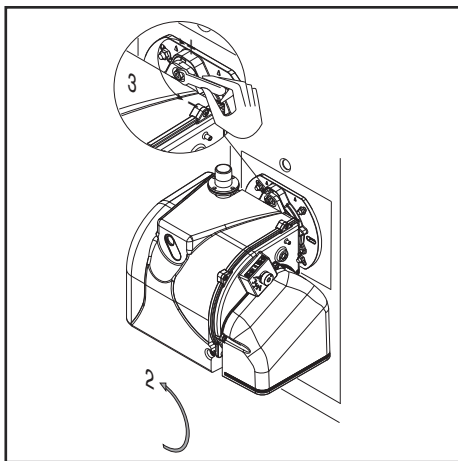
Mantenimiento línea aire (limpieza/sustitución turbina)

Posición 2

Mantenimiento cabeza de combustión.

Posición 3

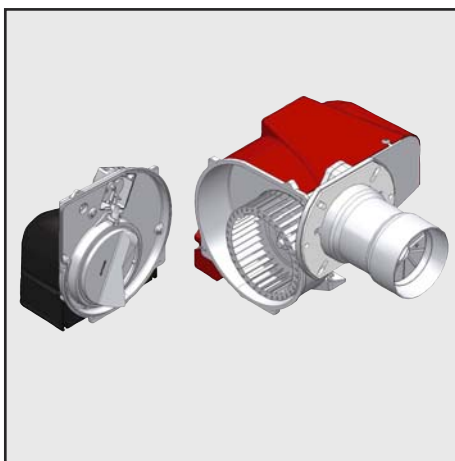
Mantenimiento de los componentes.



Montaje de la turbina

Durante el cambio de ventola o motor, remitir al esquema de posicionamiento.

El disco interno A de la turbina debe ser alineado con la placa B. Introduzca una regleta entre los álabes de la turbina y sitúe A y B a la misma altura, apretar el tornillo con ranura en el ventilador (posición de mantenimiento 1).

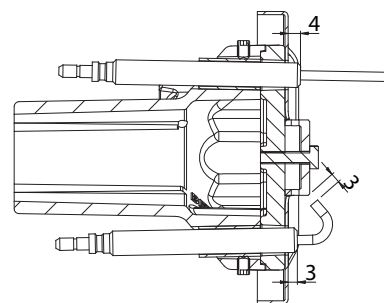
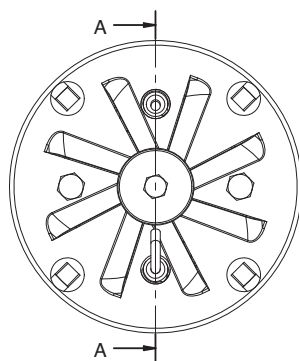


Posiciones de mantenimiento

- Todos los componentes de alimentación de combustible (mangueras, canalizaciones) y sus acoplamientos respectivos deben ser comprobados (estanqueidad,

desgaste) y cambiados si es preciso.

- Comprobar las conexiones eléctricas y los cables y sustituirlos en caso necesario.
- Comprobar el filtro de gas, limpiarlo o sustituirlo.
- Limpiar la turbina y el cárter y comprobar que no estén deteriorados.
- Comprobar y limpiar la cabeza de combustión.
- Comprobar los electrodos de encendido, ajustarlos o sustituirlos si es necesario.
- Poner en marcha el quemador, comprobar la combustión y corregir los ajustes del quemador si es necesario.
- Comprobar el presóstato de aire y el presóstato de gas.
- Comprobar la aptitud del ajuste de la rampa de gas.
- Realizar una comprobación de funcionamiento.



Sez. A-A

Mantenimiento - Posibles inconvenientes

Causas y resolución de anomalía

En caso de anomalía se deben comprobar las condiciones de funcionamiento normal:

1. Hay corriente eléctrica?
2. Hay presión de gas?
3. Está abierta la válvula de cierre del gas?
4. Todos los aparatos de regulación y de seguridad, como por ejemplo el termostato de la caldera, el dispositivo de protección contra la falta de agua, el interruptor de fin de carrera, etc. están regulados?

En el caso de que, después de comprobar los puntos arriba, la anomalía persiste, consulte la tabla siguiente.

Los componentes de seguridad no debe ser reparado, pero se debe reemplazados por componentes de la muestra el mismo número de artículo.

Utilice exclusivamente piezas.

NB: Después de cualquier intervención:

- bajo condiciones de funcionamiento normales (las puertas se cerraron, capilla cabida, etc.), la combustión del cheque y comprueba las líneas individuales para saber si hay escapes.
- Registre los resultados en los documentos relevantes.

El interfaz de la visualización de E-BCU se debe utilizar para leer las averías por el personal de servicio.



Simbolo	Observaciones	Causas	Soluciones
	Sin solicitud de calor	Termostato defectuoso o mal ajustado	Compruebe/sustituya el termostato
	El quemador no arranca tras el cierre termostático. No se indica ningún fallo en el equipo control llama.	Disminución o fallo de tensión de alimentación eléctrica. Fallo en la zona del equipo control llama	Comprobar la causa de disminución o ausencia de tensión. Sustituir el equipo control llama
	El quemador se enciende al activarlo durante breves instantes y, a continuación, se apaga, encendido del espía de bloqueo	El equipo control llama se ha bloqueado voluntariamente	Desbloquear el equipo control llama de nuevo
	El quemador no arranca	Presóstato de aire: no está en posición de parada. Ajuste erróneo. Contacto soldado.	Proceder a un nuevo ajuste del presóstato. Sustituir el presóstato.
	El quemador no arranca. La presión de gas es normal.	Presión de gas insuficiente. El presóstato de gas está desajustado o es defectuoso.	Revisar las canalizaciones de gas. Limpiar el filtro. Revisar el manostato de gas o sustituir la rampa de gas.
	Se pone en marcha el ventilador del quemador. El quemador no arranca.	Presión de aire: el contacto no se cierra.	Comprobar el sensor de presión (cuerpo extraño) y el cableado.
	Se pone en marcha el ventilador del quemador. El quemador no arranca.	Luz parásita en preventilación o preencendido.	Revisar la válvula. Revisar la vigilancia de llama.
	El quemador se pone en marcha, se enciende y luego hay una interrupción.	<ul style="list-style-type: none"> - Ausencia de llama transcurrido el tiempo de seguridad. - El caudal de gas está mal regulado. - Fallo en el circuito de vigilancia de la llama. - No hay chispas de encendido. - Cortocircuito de uno o varios electrodos. - El(los) cable(s) de encendido está(n) dañado(s) o defectuosos. - Transformador defectuoso - Equipo control llama defectuoso - Las electroválvulas no se abren. - Bloqueo de las válvulas. 	<ul style="list-style-type: none"> - Ajustar el caudal de gas - Comprobar el estado y la posición de la sonda de ionización con respecto a la masa - Comprobar el estado y las conexiones del circuito de ionización (cable y puente de medición) - Ajustar los electrodos, limpiarlos o sustituirlos. - Conectar el o los cables o sustituirlos - Sustituir el transformador - Sustituir el equipo control llama - Comprobar el cableado entre el cajetín y los componentes externos. - Sustituir la rampa de gas - Sustituir las válvulas
	El quemador se detiene en pleno funcionamiento.	<ul style="list-style-type: none"> - Presóstato de aire: el contacto se abre en el arranque o durante el funcionamiento. - Fallo de la llama durante el funcionamiento. 	<p>Ajustar o sustituir el presóstato</p> <p>Comprobar el circuito de la sonda de ionización. Revisar o sustituir el equipo control llama</p>

Содержание - Предупреждения общего характера - Сертификат соответствия

Обзор	Технические характеристики	3
	Рабочий диапазон	4
	Размеры	5
Содержание	Содержание	46
	Предупреждения общего характера	46
	Сертификат соответствия	46
	Описание горелки	47
Функционирование	Общие функции безопасности	48
	Блок управления E-BCU GAS	49
Установка	Установка горелки	50
	Электрическое соединение	51
	Необходимые проверки перед пуском в эксплуатацию	51
Ввод в эксплуатацию	Регулировка горелки	52
	Регулировка реле давления воздуха и газа	53
Техническое обслуживание	Работы по техническому обслуживанию	54
	Возможные неполадки	55
Обзор	Диаграммы давления газа	56-57
	Электрические схемы	58
	Запчасти	59-61

Основные указания

Горелки MAX GAS 170-250 P спроектированы для сжигания природного газа и газа пропан с низким выбросом в атмосферу загрязняющих веществ. Горелки соответствуют норме EN 676 с точки зрения исполнения и функционирования. Монтаж, пуск в эксплуатацию и техническое обслуживание должны производиться только квалифицированными техническими специалистами с соблюдением всех действующих директив и предписаний.

Описание горелки

Горелки MAX GAS 170-250 P являются моноблочными одноступенчатыми приборами, работающими в полностью автоматическом режиме. Специальная конструкция головки горелки позволяет достичь сгорания с низким уровнем окислов азота и высоким коэффициентом полезного действия. Величины выбросов соответствуют классу 3, как определено нормой EN676 (NOx<80 мг/кВт.ч). В зависимости от геометрических параметров топочной камеры, нагрузки котла и системы сгорания (трехконтурный котел, котел с реверсивной топочной камерой) значения выделения загрязняющих веществ могут быть различными. Они

пригодны для оборудования всех теплогенераторов, соответствующих стандарту EN 303, или нагнетательных генераторов теплого воздуха, соответствующих стандартам DIN 4794 или DIN 30697, в их мощностном диапазоне. Для любого другого использования требуется разрешение компании Ecoflam.

В целях обеспечения безопасного, экологически чистого функционирования, низкого потребления энергии, необходимо соблюдать следующие правила:

EN 676

Вентиляторные газовые горелки (с наддувом)

EN 226

Подключение наддувных жидкотопливных или газовых горелок к теплогенератору.

EN 60335-1, -2-102

Безопасность электроприборов бытового использования, особые нормы для газовых приборов.

Условия установки

Горелка не должна эксплуатироваться в помещениях с агрессивной средой (например, спрей, тетрахлорэтилен, тетрахлорметан и т.д.), сильно запыленным воздухом или с высокой влажностью (например, в прачечных). Достаточная вентиляция должна быть

Декларация о соответствии для газовых горелок

Мы, компания

Ecoflam Bruciatori S.p.A.

заявляем под свою ответственность, что газовые горелки

MAX GAS

соответствуют требованиям следующих стандартов :

EN 676: 2008

EN 60335-1: 2008

EN 60335-2-30: 2006

EN 60335-2-102: 2007

EN 55014-1: 2008 + A1: 2009

EN 55014-2: 1998 + A1: 2001 + A2: 2008

Эти изделия маркируются знаком CE в соответствии с директивами:

2009/142/EEC Gas Appliance Directive

2006/95/EEC Low Voltage Directive

2004/108/EEC EMC Directive

2006/42/EC Machinery directive

Resana, 28 июня 2011
M. PANIZZON

предусмотрена в помещении, где установлена горелка, так, чтобы обеспечить условия для хорошего сгорания. Местное законодательство может содержать дополнительные требования.

Гарантия не распространяется на возмещение ущерба, вызванного следующими причинами:

- ненадлежащее использование
- неправильная установка или ремонт, выполненные покупателем или третьими лицами, использование неоригинальных элементов.

Передача установки пользователю и рекомендации по эксплуатации

Производитель обязан не позднее момента передачи установки пользователю передать ему инструкции по эксплуатации и техническому обслуживанию установки. Они должны храниться в котельной на видном месте. В них должен быть указан номер телефона и адрес ближайшего центра технического обслуживания.

Рекомендации пользователю

Не менее одного раза в год оборудование должно проверяться квалифицированным специалистом. Для обеспечения регулярных проверок рекомендуется заключить договор на проведение технического обслуживания.

Горелки производства Ecoflam были разработаны и изготовлены в соответствии с действующими нормативами и директивами. Все горелки соответствуют стандартам безопасности и энергосбережения в пределах заявленного рабочего поля. Качество продукции гарантировано системой сертификации в соответствии с нормой ISO 9001:2008



Содержание - Описание горелки

MAX GAS 170 LN P TC SGT 230-50 TW

НАЗВАНИЕ

MAX GAS газ

МОДЕЛЬ (газ: кВт; жидкое топливо: кг/ч)

MAX GAS 170 175 кВт

ВЫБРОСЫ

LN Low NOx Класс 3 GAS EN676 (<80 мг/кВтч)
 - Стандарт Класс 2-GAS EN676 (<120 мг/кВтч)

РЕЖИМ РАБОТЫ

P 1-ступенчатый

ТИП ГОЛОВКИ

TC КОРОТКАЯ ЖАРОВАЯ ТРУБА
 TL ДЛИННАЯ ЖАРОВАЯ ТРУБА

ТОПЛИВО

природный газ
 LPG пропан газ

ОБОРУДОВАНИЕ

SGT Отдельная газовая рампа

ЭЛЕКТРОПИТАНИЕ

230-50 230 В, 50 Гц

БЛОК УПРАВЛЕНИЯ

TW Thermowatt

Упаковка

Горелка поставляется с модульной системой упаковки отдельными комплектами/коробками:

VBCH: Горелка в комплекте с огневой головкой и фланцем.

- 1 пакет : - многоязычное техническое руководство.

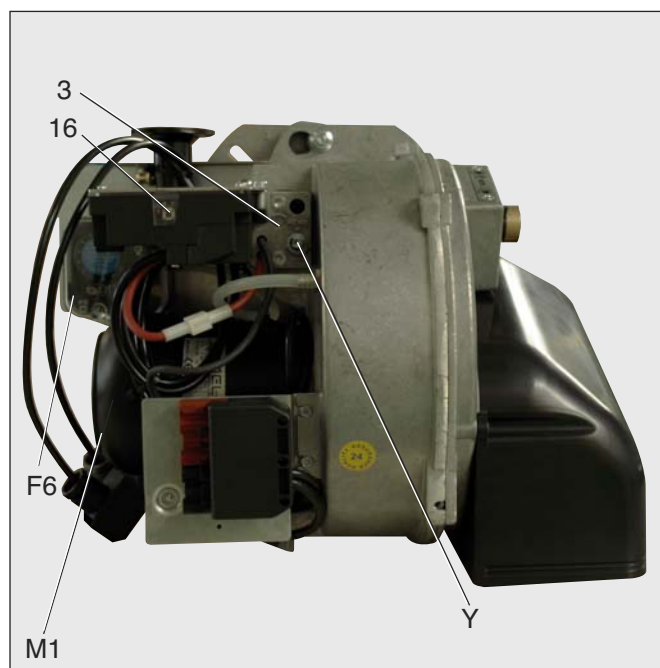
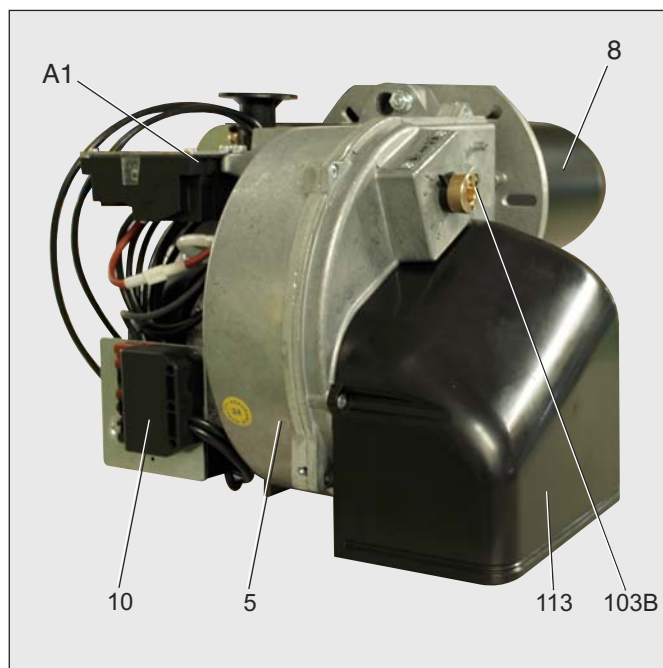
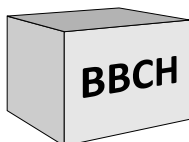
- штекер wieland.
- гаечный ключ.
- винты, гайки и шайбы.

GT: Отдельная газовая рампа.

KIT & ACS заказываемые и поставляемые отдельно



- A1 E_BCU GAS Блок управления
- F6 Реле давления воздуха
- M1 Электродвигатель вентилятора
- T1 Трансформатор розжига
- Y Градуированный стержень
- 3 Регулировка воздуха в головке горелки
- 5 Корпус
- 8 Труба жаровая
- 10 Разъем wieland
- 14 Кожух
- 15 Фланец горелки
- 16 Кнопка разблокировки
- 103B Регулировка подачи воздуха
- 113 Короб воздухозабора



Функционирование - Общие функции безопасности

Описание работы

При первой подаче напряжения, после отключения напряжения или перевода в режим безопасности, после отключения газа или после остановки на 24 часа, начинается время предварительной вентиляции 24 сек.

В течение предварительной вентиляции:

- давление воздуха находится под контролем.
- топочная камера проверяется на наличие сигналов пламени.

После истечения периода предварительной вентиляции

- запускается розжиг.
- главный и предохранительный электромагнитные клапаны открыты.
- пуск горелки.

Контроль

Пламя контролируется ионизационным зондом. Зонд вместе с изоляцией встроен в газовую головку и проходит через дефлектор в зону пламени. Зонд

не должен иметь электрический контакт с заземленными деталями. В случае короткого замыкания между зондом и массой горелки горелка переходит в аварийный режим. При горении в газовом пламени образуется ионизационная зона, через которую выпрямленный ток идет от зонда к соплу горелки. Ионизационный ток должен быть не менее 1,5 μ A.

Режим безопасности

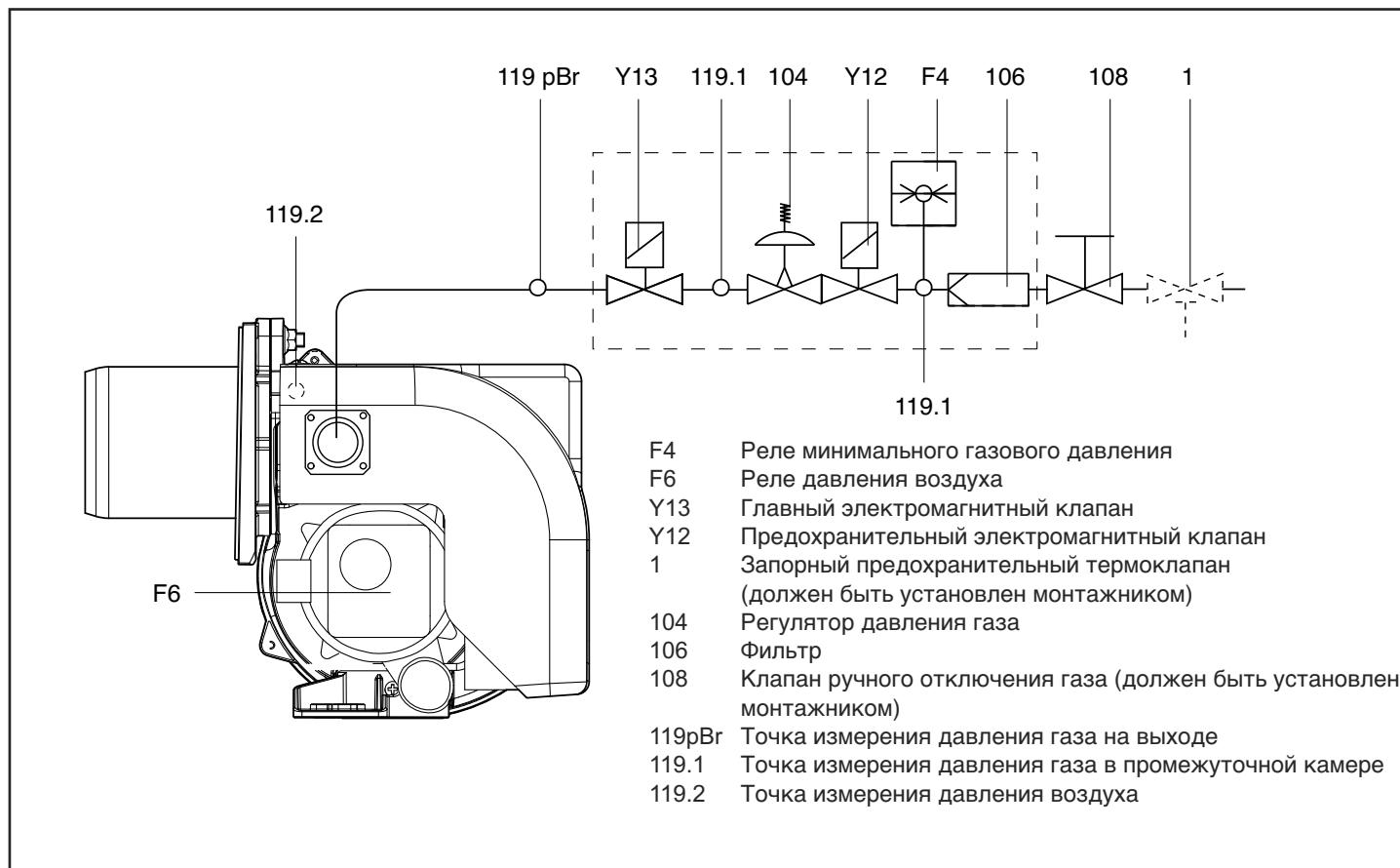
- Если при запуске горелки (пуске газа) не образовалось пламя, то по истечении предохранительного времени макс. 3 секунды газовый клапан закрывается, горелка отключается.
- В случае исчезновения пламени во время работы подача газа прекращается не позже, чем через секунду. Включается новый цикл запуска. Если горелка запускается, рабочий цикл продолжается. В противном случае происходит переход в режим безопасности.
- В случае нехватки воздуха при

предварительной вентиляции или во время работы происходит переход в режим безопасности.

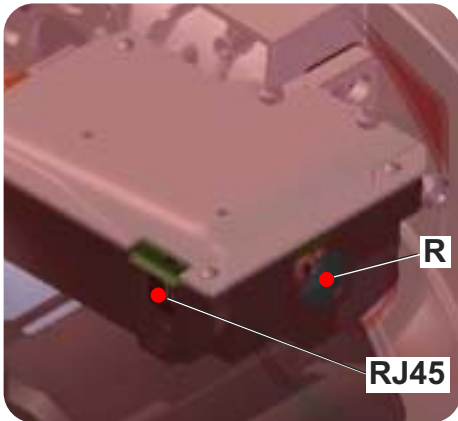
- В случае нехватки газа горелка не включается и/или останавливается. За этим следует период ожидания 2 минуты. Затем производится новая попытка запуска. Если давления газа по-прежнему нет, следует еще один период ожидания 2 минуты. При этом период ожидания может быть отменен только отключением горелки от напряжения сети. Время ожидания: 3 x 2 минуты, затем 1 час.

Прекращение регулирования

- Реле регулятора температуры прерывает запрос на нагрев.
- Газовые клапаны закрываются.
- Пламя гаснет.
- Электродвигатель вентилятора останавливается.
- Горелка готова к работе.



Функционирование - Блок управления E-BCU GAS



R - Кнопка сброса + светодиод сигнализации блокирования.

RJ45 - Разъём для подключения ПК (для диагностики, поставляется отдельно).



Комплект E-BCU инструмент для диагностики (не входит в комплект поставки)

Блок управления E-BCU GAS отслеживает и управляет работой горелки с воздушным наддувом. Благодаря тому, что ход программ управляется микропроцессором, обеспечивается стабильность временных периодов, независимо от изменения напряжения электросети и окружающей температуры. Блок защищен от падения электрического напряжения. Если напряжение сети падает ниже минимального значения (170 В), блок управления выключается и подает аварийный сигнал. Как только напряжение превысит 178 В, блок

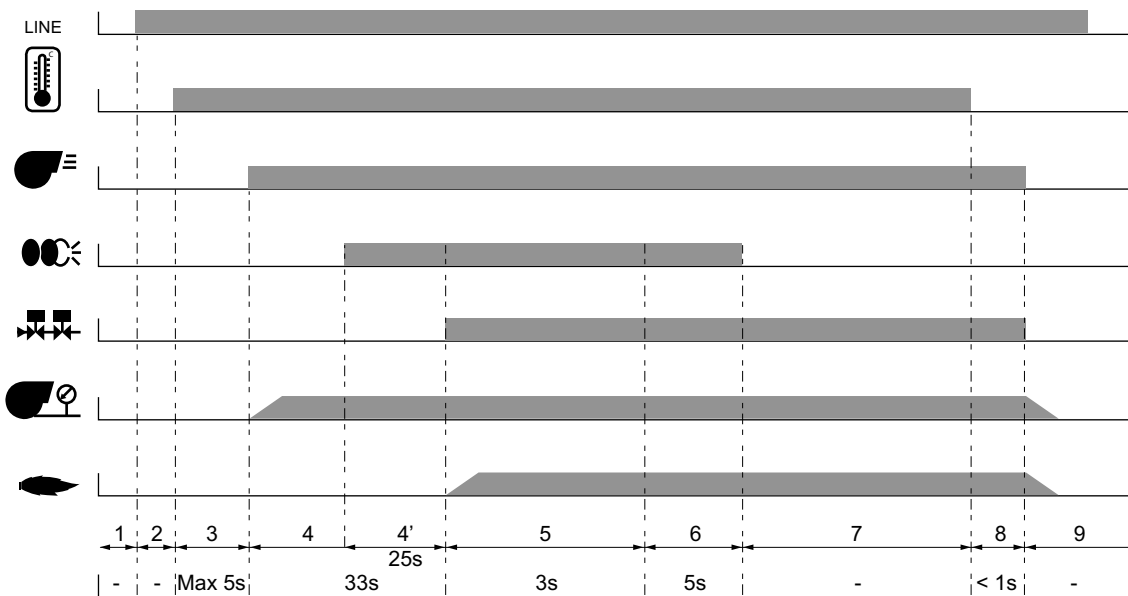
управления включается автоматически.

Блокировка и разблокировка

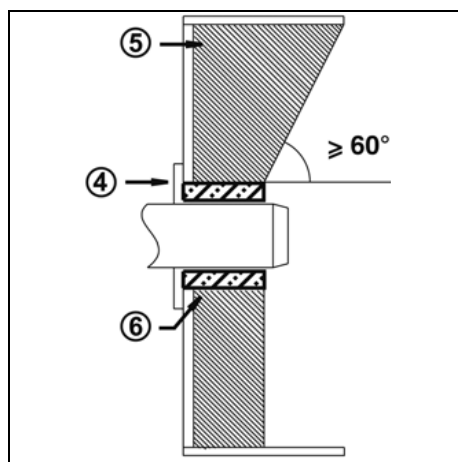
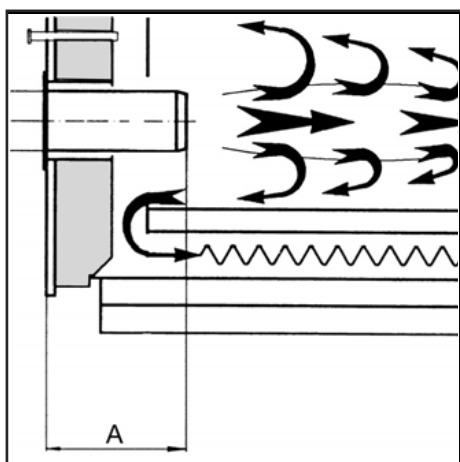
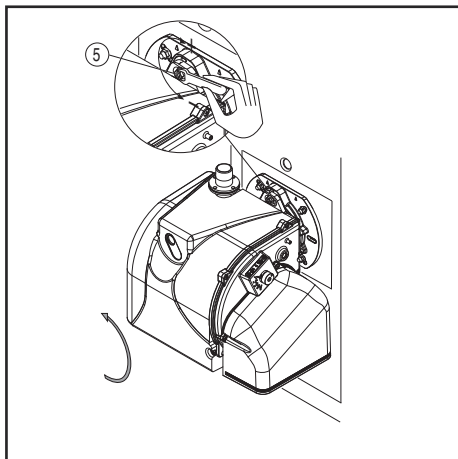
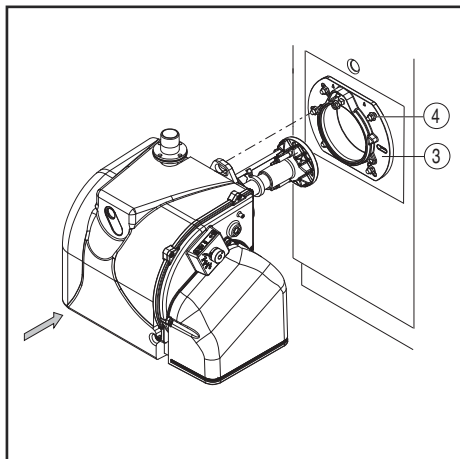
Блок может быть заблокирован (переход в режим безопасности) кнопкой разблокировки R и разблокирован (сброс неисправности) при условии, что блок находится под напряжением.

! Перед тем, как осуществить монтаж или демонтаж блока, отключите устройство от электропитания. Открывать блок или производить ремонтные работы запрещено!

Символ	Описание
	Ожидание запроса на нагрев котла
	Газовый клапан
	Ожидание включения реле давления воздуха при пуске
	Питание электродвигателя
	Подача напряжения на устройство розжига
	Пламя присутствует



Установка - Установка горелки

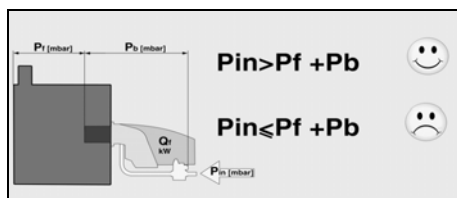
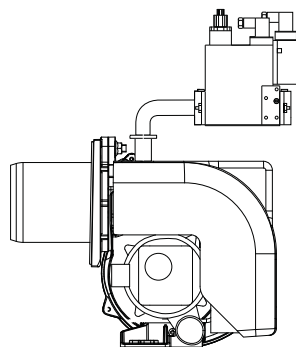


Линия газоснабжения

При установке линии газоснабжения и газовой рамы необходимо соблюдать предписания нормы EN676. Устанавливается обязательный комплект принадлежностей согласно EN676. Дополнительные принадлежности устанавливаются монтажником в соответствии с местными предписаниями.

Предписания общего порядка для подключения газа

- Подключение газовой рамы к газовой сети должно выполняться исключительно уполномоченным квалифицированным специалистом.
- Сечение газовых труб должно быть подобрано таким образом, чтобы давление подачи газа не могло опуститься ниже предписанного значения.
- Ручной отсечной клапан (не поставляется) должен быть установлен "вверх по течению" от газовой рамы.



УСЛОВНЫЕ ОБОЗНАЧЕНИЯ

Pf: Противодавление в топке.
Pb: Давление газа в горелке (головка горелки + газовая рама).
Pin: Минимальное давление на входе.

Монтаж горелки

Горелка крепится к соединительному фланцу и, следовательно, к котлу. Таким образом, камера сгорания будет закрыта герметично.

Монтаж:

- Закрепить фланец 3 к котлу винтами 4.
- Слегка повернуть горелку, ввести её во фланец и закрепить винтом 5.

Демонтаж:

- Ослабить винт 5.
- Повернуть горелку и вынуть её из фланца.

Глубина установки жаровой трубы и огнеупорное уплотнение

Для котлов без охлаждения передней стенки и при отсутствии других указаний со стороны производителя котла, необходимо выполнить огнеупорную вставку или теплоизоляцию (5), как показано на рисунке слева.

Огнеупорная вставка не должна заходить за передний край жаровой трубы горелки, она должна иметь минимальный конический угол 60°. Промежуток (6) должен быть заполнен эластичным и невоспламеняемым теплоизоляционным материалом.

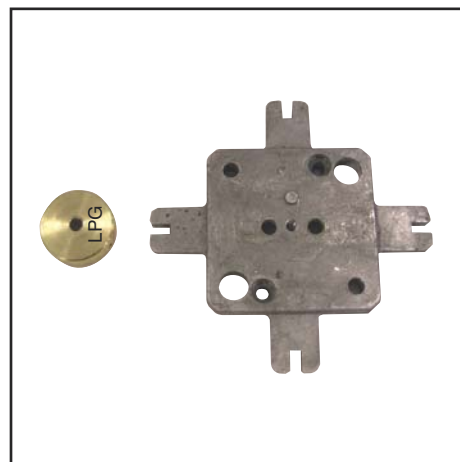
Система отвода продуктов горения

Для предотвращения неприятного шума не рекомендуется применять для дымохода соединительные детали, изогнутые под прямым углом.

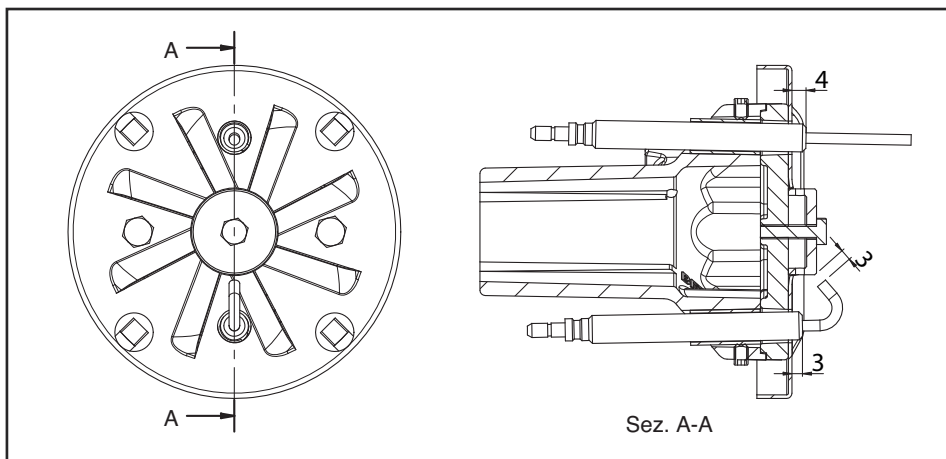
ПРЕОБРАЗОВАНИЕ В СУГ

KITLPG-MAXGAS...

Для работы с СУГ необходимо приобрести комплект СУГ (Kit LPG) и установить его при соблюдении прилагаемых инструкций.



Установка - Подключение к электросети - Необходимые проверки перед пуском в эксплуатацию



Положение электродов

Обязательно проверьте положение электродов после их замены или установки комплекта KIT LPG. Неправильное положение электродов может затруднить розжиг горелки.

Электроподключение

Электропроводка и все работы по подключению к сети должны выполняться только квалифицированным электриком. Должны выполняться действующие предписания и директивы. Установка электропитания должна быть оснащена дифференциальным выключателем типа А.

Строго соблюдать действующие предписания и директивы, помимо электросхемы, поставляемой с горелкой!

- Убедитесь, что напряжение электропитания соответствует указанному рабочему напряжению в электросхеме и на шильдике горелки. Плавкий предохранитель : 5 А

Подключение разъемами

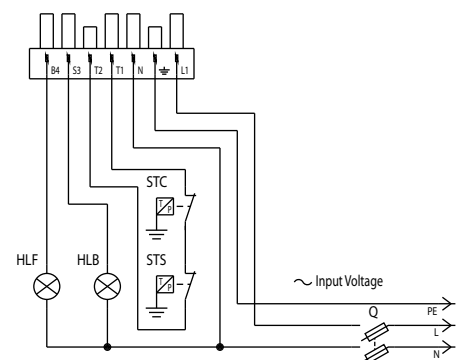
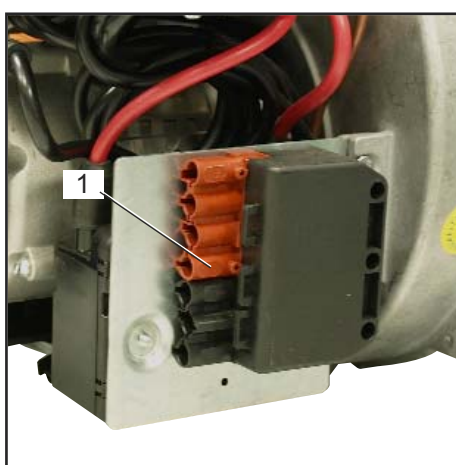
Горелка должна отключаться от сети с помощью многополюсного выключателя, соответствующего действующим стандартам. Горелка и теплогенератор (котел) соединяются между собой посредством семиконтактного штекера (1).

Подключение газовой рампы

Выполните подключение газовой рампы при помощи разъемов, установленных на горелке.

Измерение силы тока ионизации

Для измерения тока ионизации отсоедините разъём В10 и подсоедините мультиметр с диапазоном измерения 0-100 μ А. Ток ионизации должен быть как минимум 1,5 μ А. Можно контролировать интенсивность тока также при помощи диагностического инструмента E-BCU.

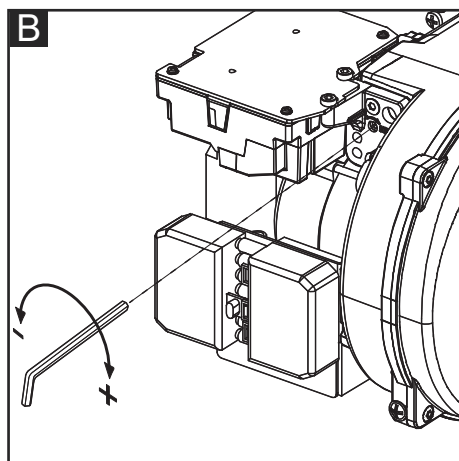
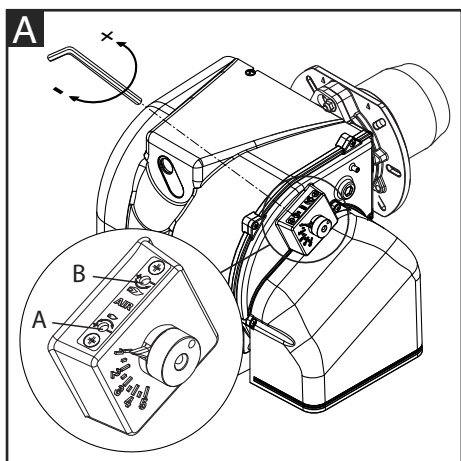


Проверки перед пуском в эксплуатацию

Перед первым запуском следует проверить следующее:

- Убедитесь, что горелка установлена согласно настоящей инструкции.
- Предварительная регулировка горелки выполнена правильно, согласно указанным в таблице регулировок значениям.
- Настройка компонентов системы горения
- Теплогенератор должен быть готов к работе согласно инструкции по его использованию.
- Все электрические соединения выполнены правильно.
- Теплогенератор и система отопления заполнены достаточным количеством воды. Циркуляционные насосы действуют.
- Регуляторы температуры и давления, устройство защиты от недостатка воды, а также другие предохранительные и защитные устройства, используемые на установке, правильно подсоединены и действуют.
- Вытяжная труба должна быть прочищена. Устройство для подачи дополнительного воздуха, если оно установлено, в рабочем состоянии.
- Гарантирована подача свежего воздуха.
- Получен запрос на тепло.
- Должно быть доступным достаточное давление газа.
- Топливопроводы установлены согласно техническим нормам, освобождены от воздуха и проверена их герметичность.
- Согласно существующим нормам на вытяжной трубе должна находиться точка измерения. До этого места труба должна быть герметичной для того, чтобы подсос наружного воздуха не повлиял на результаты измерений.

Ввод в эксплуатацию - Регулировка горелки



Регулировка воздуха (А).

Повернуть винт, как на рисунке:

- поворачивая против часовой стрелки, расход увеличится.
- поворачивая по часовой стрелке, расход уменьшается.

ПРИМЕЧАНИЕ: винт "В" не используется.

Регулировка огневой головки (В).

Повернуть винт, как на рисунке:

- повернуть гаечным ключом до достижения желаемой величины (показатель от 0 до 4,5).

! **Опасность вспышки!** Постоянно контролируйте содержание CO, CO₂ и сажи в отходящих газах в процессе регулировки. В случае образования CO оптимизируйте значения горения. Содержание CO не должно превышать 50 промилле.

Диаграммы давления газа, приведённые в приложении

Минимально необходимое давление газа указано на схемах в приложении. Эти величины были получены в наших испытательных лабораториях и используются при запуске горелки, регулировка должна проверяться с помощью газового анализатора.

Как читать диаграммы и регулировать горелку:

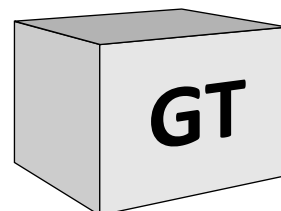
- определите требуемую мощность.
- определите противодавление в топочной камере.
- найдите минимально необходимое давление газа на схемах в приложении.

Оптимизация характеристик горения

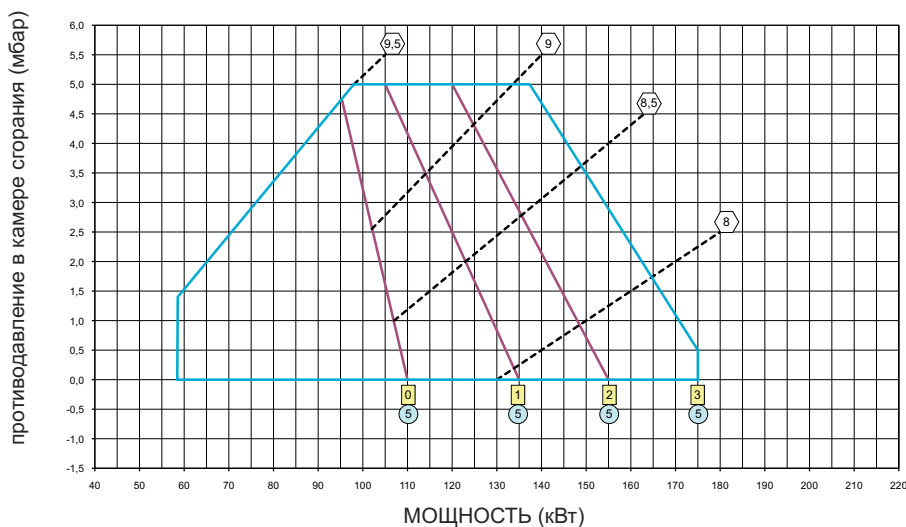
Заводская калибровка должна быть изменена в зависимости от требуемой мощности. Диаграммы калибровки заслонки/головки найдёте в приложении.

Регулировка газового клапана

Отрегулируйте газовые клапаны в соответствии с инструкциями руководства по эксплуатации газовой рампы.



MAX GAS 170 P NATURAL GAS



Внимание! Соблюдайте минимальную необходимую температуру дымовых газов, следуя указаниям производителя котла и принимая во внимание тип вытяжных труб, чтобы избежать эффекта конденсации.

⬡ давление газа в головке, измеренное на соединительной газовой трубе (мбар)

■ положение головки

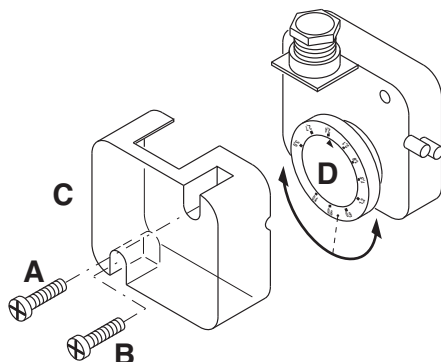
● положение заслонки воздуха

Ввод в эксплуатацию - Регулировка реле давления воздуха и газа

Регулировка реле давления воздуха

Реле давления воздуха контролирует давление воздуха для горения. Отвинтить винты **A** и **B** и снять крышку **C**. После настройки воздуха и газа, во время работы горелки медленно повернуть рукоятку **D** по часовой стрелке до блокировки горелки. Отметьте значение, указанное на рукоятке, понизив его на 15%.

Установить на место крышку **C** и затянуть винты **A** и **B**.

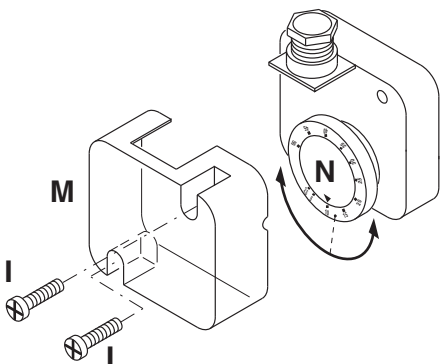


ВНИМАНИЕ: Реле давления позволяет предотвратить падение давления воздуха ниже 85% от установленной величины, избегая таким образом превышения содержания CO в отходящих газах более 1% (10000 промилле).

Регулировка реле минимального давления газа

Функция реле минимального давления газа - следить за тем, чтобы давление газа перед газовым клапаном было не ниже минимального, при котором горелка работает нормально.

Отвинтить винты **I** и **L** и снять крышку **M**. Установить рукоятку **N** на значение, равное 60% от номинального давления газа (например, при номинальном давлении метана 20 мбар рукоятка устанавливается на значение 12 мбар; для сжиженного газа с номинальным давлением 30/37 мбар рукоятка устанавливается на значение 18 мбар). Установить на место крышку **M** и затянуть винты **I** и **L**.



Контроль функционирования

Контроль пламени должен быть выполнен как в случае первого запуска, так и после технического обслуживания или после длительного периода бездействия системы.

- Тест запуска с закрытым газовым краном:

блок управления должен сигнализировать сбой по причине нехватки газа или перейти в режим блокировки по окончании предохранительного времени.

Сервис - Работы по техническому обслуживанию

Работы по техническому обслуживанию котла и горелки должны выполняться только специалистом-теплотехником. Для обеспечения регулярного обслуживания пользователю рекомендуется заключить договор на техническое обслуживание.

Внимание

- Перед выполнением любых работ по техническому обслуживанию и очистке отключите электропитание.
- Жаровая труба и ее компоненты могут быть горячими.

Проверка температуры отходящих газов

- Регулярно проверяйте температуру отходящих газов.
- Выполняйте очистку котла, если температура продуктов сгорания более чем на 30° С превышает значение температуры, измеренное при пуске горелки в эксплуатацию.
- С целью упрощения контроля установите дисплей для визуализации температуры отходящих газов.

Положения техобслуживания

- После ослабления винта 5 и отсоединения горелки можно закрепить её в трёх положениях технического обслуживания.

Положение 1

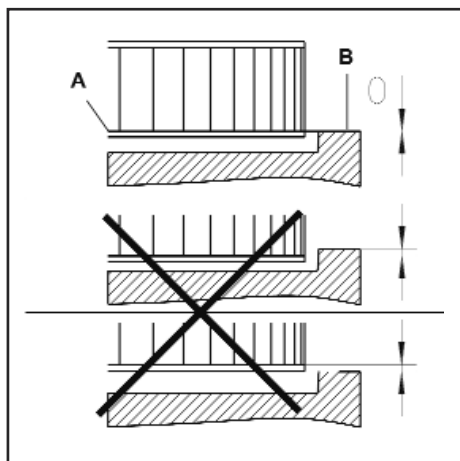
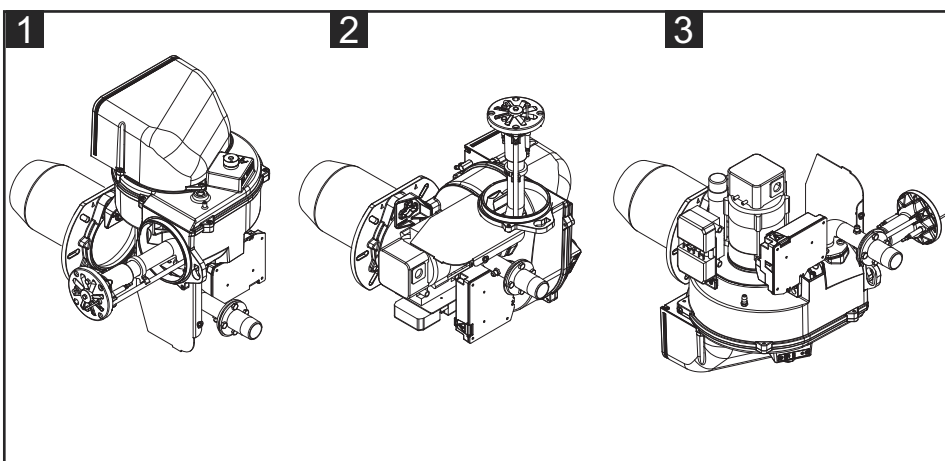
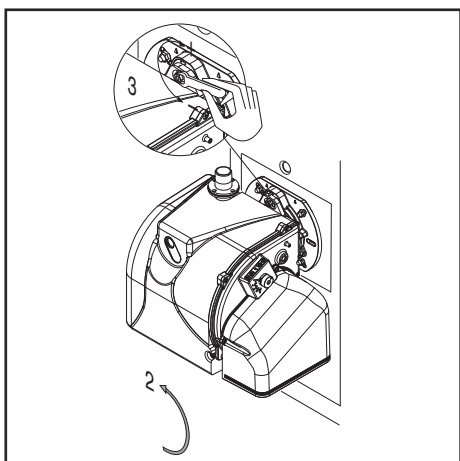
Техобслуживание линии подачи воздуха (чистка/замена рабочего колеса вентилятора).

Положение 2

Техобслуживание головки горелки.

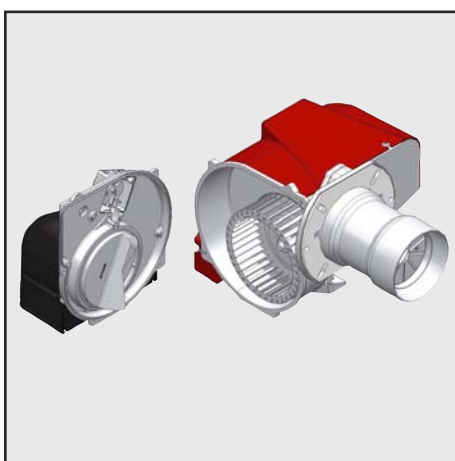
Положение 3

Техобслуживание компонентов.



Монтаж вентилятора

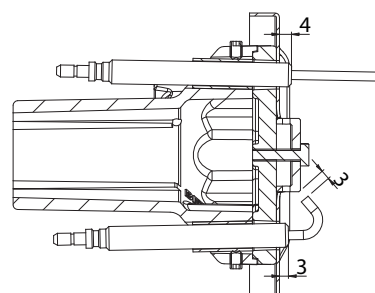
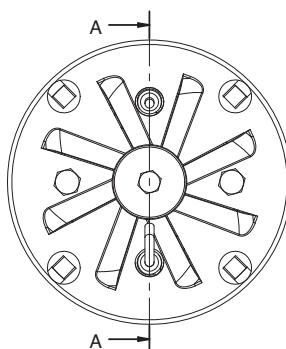
При замене электродвигателя или рабочего колеса вентилятора сверяйтесь с приведенной выше схемой установки. Внутренняя сторона А фланца рабочего колеса должна быть на одном уровне с панелью В. Вставьте линейку между лопатками рабочего колеса и приведите элементы А и В к одному уровню, затяните винт без головки на рабочем колесе вентилятора (положение техобслуживания 1).



- Проверьте все электрические подключения и кабели, при необходимости замените их.
- Проверьте состояние газового фильтра, очистите или замените его.
- Проверьте рабочее колесо вентилятора и корпус и убедитесь, что они не повреждены.
- Проверьте и очистите головку горелки.
- Проверьте электроды поджига, при необходимости отрегулируйте или замените их.
- Запустите горелку, проверьте параметры горения и, при необходимости, откорректируйте регулировки горелки.
- Проверьте настройку реле давления воздуха и реле давления газа.
- Проверьте регулировку газовой рампы.
- Проверьте работу горелки.

Техобслуживание горелки

• Все компоненты системы подачи топлива (шланги, трубопроводы) и их соединения должны быть проверены (герметичность, износ) и, при необходимости, заменены.



Sez. A-A

Сервис - Возможные неполадки

Причины неисправностей и способы их устранения

При сбое в работе должны быть проверены нормальные условия для работы горелки:

1. Есть электрический ток?
2. Есть давление газа?
3. Газовый кран открыт?
4. Правильно ли настроены все регулирующие и предохранительные устройства, такие как термостат котла, датчик уровня воды, электрические концевые выключатели?

Если неисправность сохраняется, используйте таблицу ниже.

Компоненты системы безопасности не подлежат ремонту; они должны

заменяться компонентами с тем же артикулом.










Используйте только оригинальные запасные части.

Примечание: после проведения любых работ:

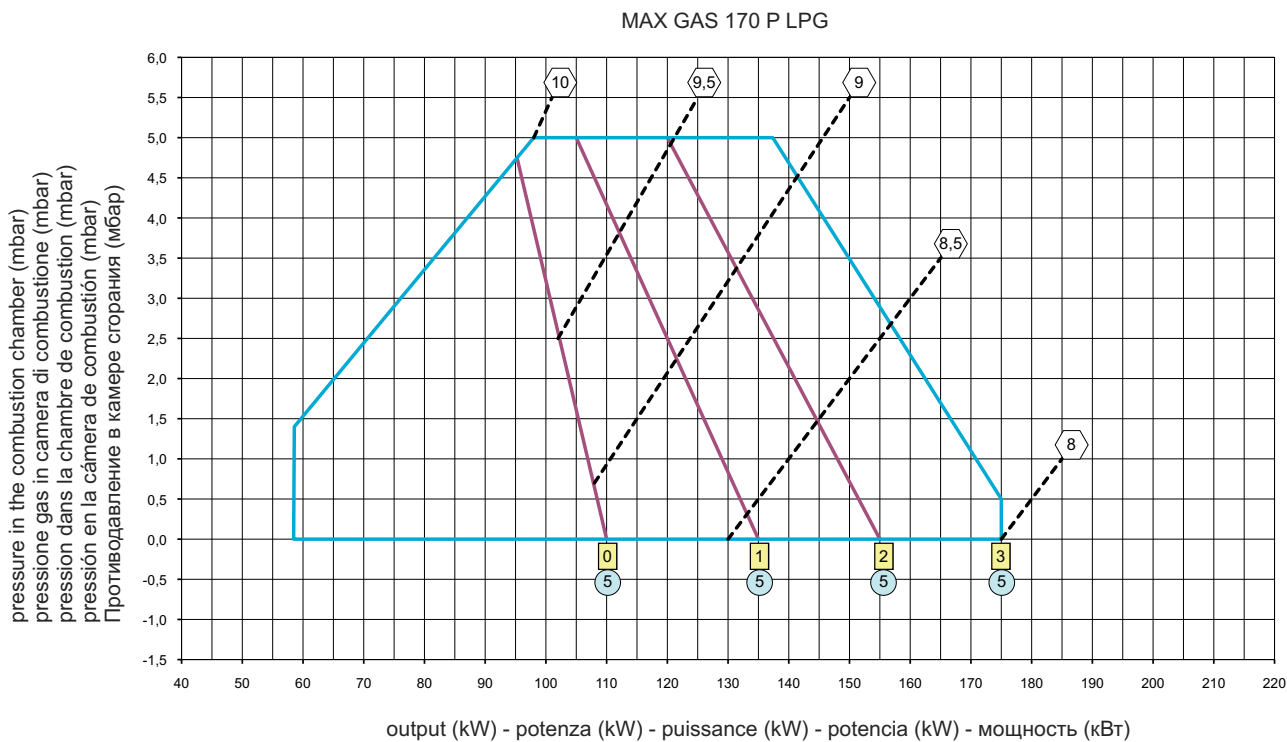
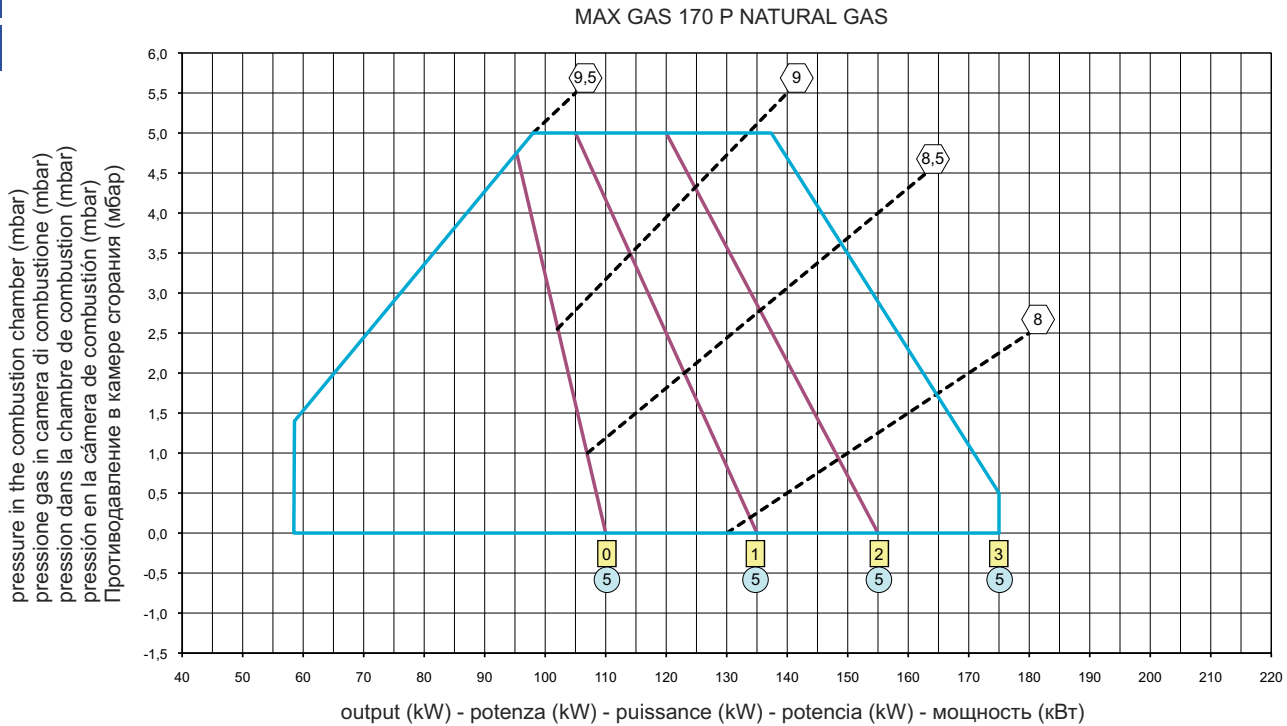
- выполните проверку параметров горения в реальных условиях эксплуатации (дверцы закрыты, кожух установлен и т. д.).
- запишите результаты в соответствующие документы.

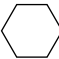
Диагностический инструмент E-BCU должен быть использован персоналом, выполняющим техническое обслуживание, с целью определения неисправности горелки.





Символ	Неисправность	Причины	Способ устранения
	Нет запроса на тепло	Термостаты неисправны или не настроены	Отрегулируйте или замените термостаты
	После отключения термостата горелка не запускается. Нет сигнала ошибки на блоке управления.	Понижение напряжения электропитания или его отсутствие. Неисправность блока.	Проверьте причину понижения напряжения или его отсутствия. Замените блок.
	При подаче напряжения горелка запускается на очень короткое время и выключается, включение индикатора блокирования	Блок управления заблокирован вручную.	Разблокируйте блок.
	Горелка не запускается.	Реле давления воздуха: не находится в рабочем положении. Неправильная настройка. Залипание контакта.	Осуществите новую регулировку реле давления. Замените реле давления.
	Горелка не запускается. Низкое давление газа.	Недостаточное давление газа. Реле давления газа не настроено или неисправно.	Проверьте газопроводы. Очистите фильтр. Проверьте реле давления газа или замените компактный газовый блок.
	Вентилятор горелки запускается. Горелка не запускается.	Реле давления воздуха: контакт не замыкается.	Проверьте датчик давления (попадание инородных тел) и электропроводку.
	Вентилятор горелки запускается. Горелка не запускается.	Ложный сигнал пламени во время предварительной вентиляции или предварительного розжига.	Проверьте клапан. Проверьте систему отслеживания пламени.
	Горелка запускается, происходит розжиг, затем следует аварийное отключение.	<ul style="list-style-type: none"> - Отсутствие пламени к концу времени безопасности. - Расход газа плохо отрегулирован. - Неисправность в цепи контроля пламени. - Нет запальной искры - Короткое замыкание одного или нескольких электродов - Кабель или кабели розжига повреждены или неисправны - Неисправно устройство розжига - Блок управления и безопасности - Электромагнитные клапаны не открываются - Блокировка клапанов 	<ul style="list-style-type: none"> - Отрегулируйте расход газа - Проверьте состояние и положение датчика ионизации относительно "массы". - Проверьте состояние и соединения ионизационной цепи (кабель или кабели и измерительные мосты). - Отрегулируйте электрод или электроды, очистите или замените их. - Подключите или замените кабель или кабели. - Замените устройство розжига - Замените блок управления - Проверьте электропроводку блока управления и внешних компонентов - Замените компактный газовый блок - Замените клапаны
	Неисправность системы контроля пламени во время работы.	<ul style="list-style-type: none"> - Реле давления воздуха: контакт размыкается при запуске или во время работы. - Сбой пламени во время работы. 	Отрегулируйте или замените реле давления Проверьте цепь ионизационного зонда. Проверьте или замените блок управления.

Overview - Gas pressure diagrams / Panoramica - Diagrammi di pressione gas / Vue d'ensemble - Diagrammes de pression gaz / Descripción - Diagramas de presión de gas / Обзор - Диаграммы давления газа



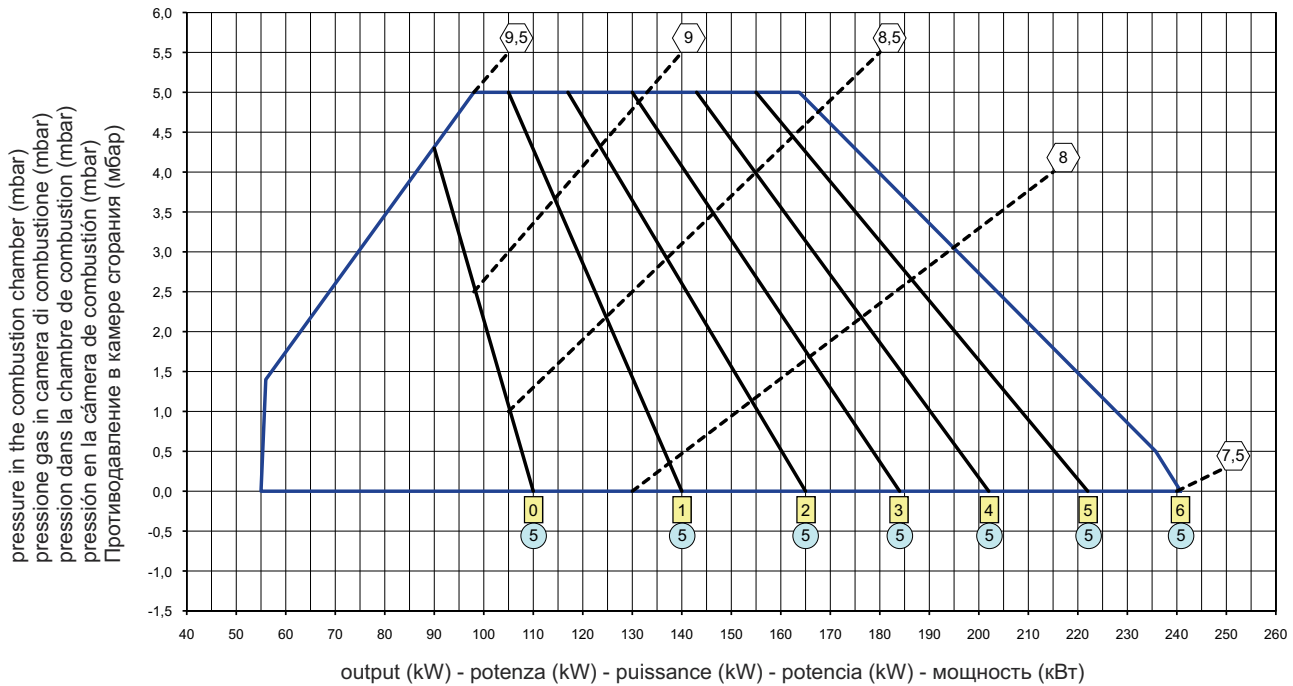
 head gas pressure (on elbow) (mbar)
 pressione gas in testa misurata sulla curva (mbar)
 pression gaz en tête mesurée sur la courbe (mbar)
 presión de gas en la cabeza medida a la recta (mbar)
 давление газа в головке, измеренное в соединительной газовой трубе (мбар)

 head position
 posizione testa
 position tête
 posición de la cabeza
 положение головки

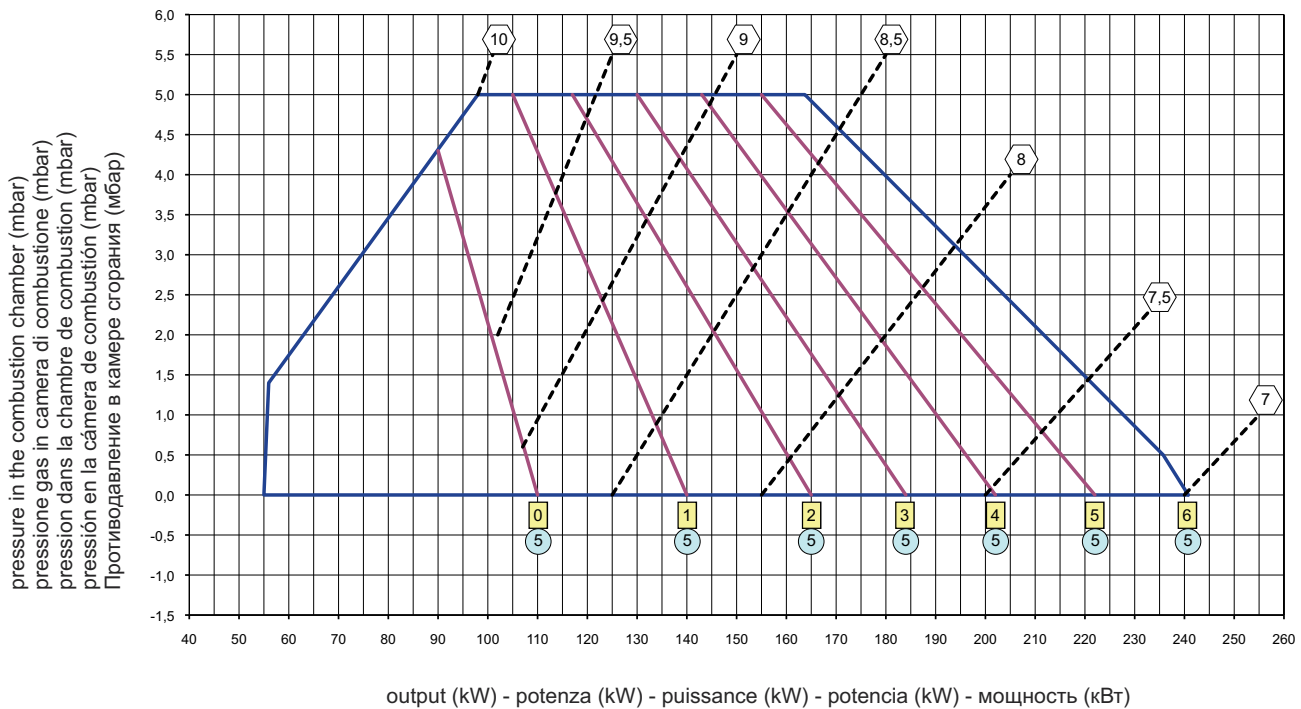
 air damper position
 posizione serranda aria
 position du registre d'air
 posición de la compuerta de aire
 положение заслонки воздуха


Overview - Gas pressure diagrams / Panoramica - Diagrammi di pressione gas / Vue d'ensemble - Diagrammes de pression gaz / Descripción - Diagramas de presión de gas / Обзор - Диаграммы давления газа


MAX GAS 250 P NATURAL GAS




MAX GAS 250 P LPG

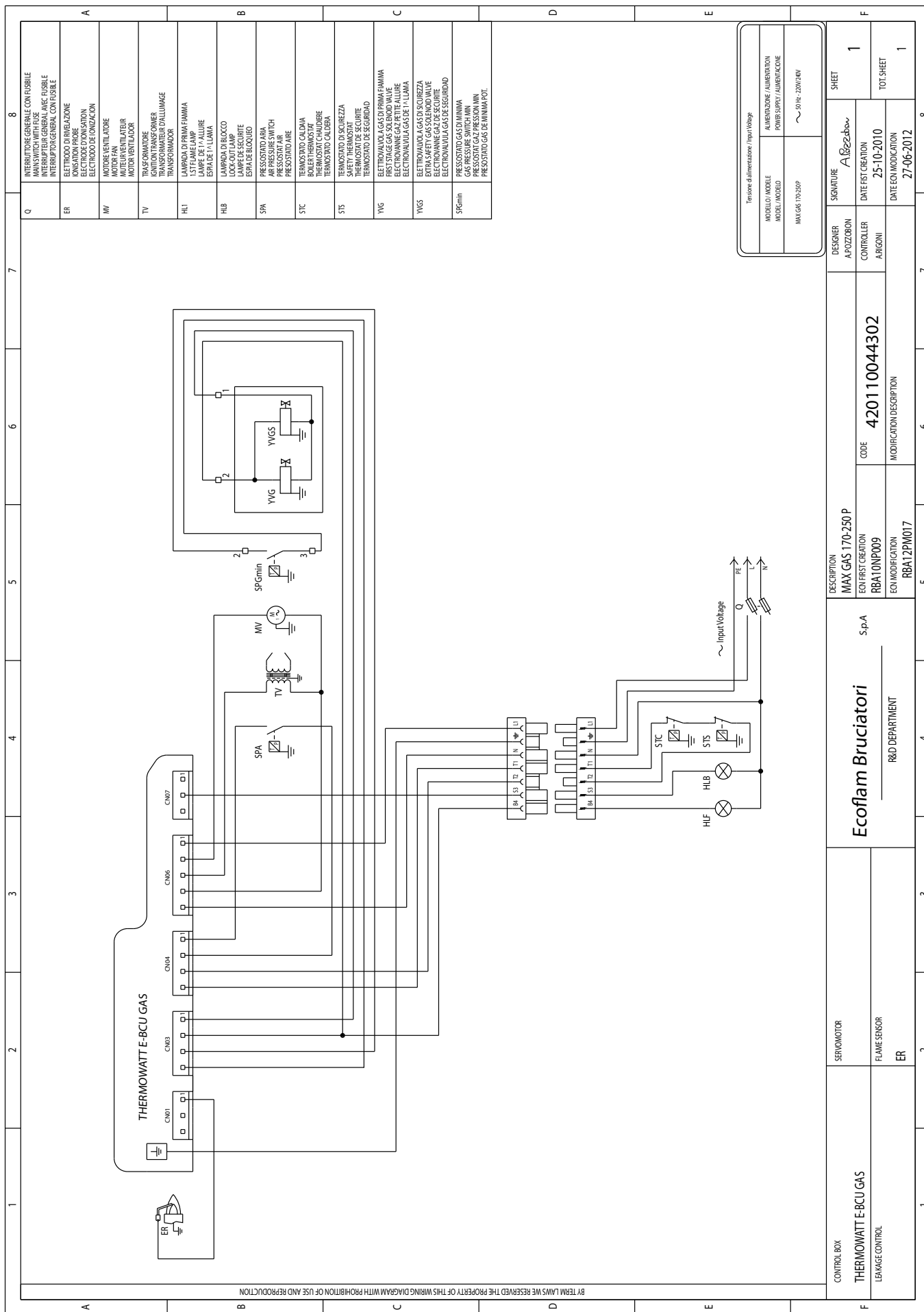


 head gas pressure (on elbow) (mbar)
 pressione gas in testa misurata sulla curva (mbar)
 pression gaz en tête mesurée sur la courbe (mbar)
 presión de gas en la cabeza medida a la recta (mbar)
 давление газа в головке, измеренное в соединительной газовой трубе (мбар)

 head position
 posizione testa
 position tête
 posición de la cabeza
 положение головки

 air damper position
 posizione serranda aria
 position du registre d'air
 posición de la compuerta de aire
 положение заслонки воздуха

Overview - Electric diagrams / Panoramica - Schemi elettrici / Vue d'ensemble - Schémas électrique / Descripción - Esquemas eléctrico /
Обзор - Электрические схемы



BY ITEM LAWS WE RESERVED THE PROPERTY OF THIS WIRING DIAGRAM WITH PROHIBITION OF USE AND REPRODUCTION

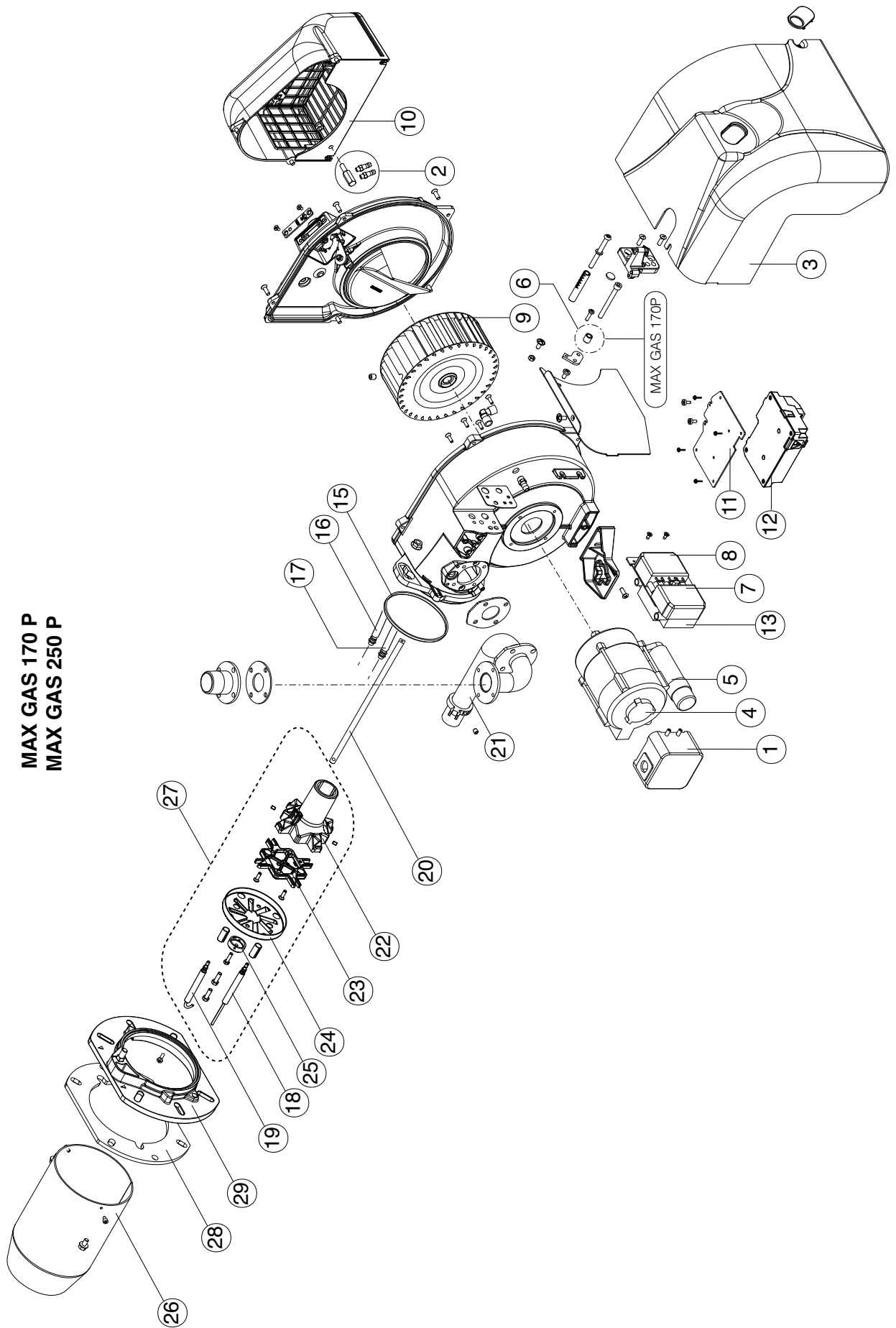
Tensione di alimentazione / Input Voltage	
MODELLO / MODEL	ALIMENTAZIONE / ALIMENTATION
MODEL / MODELLO	POWER SUPPLY / ALIMENTACION
MAX GAS 170-250P	~ 50 Hz - 230V/0V

DESIGNER	SIGNATURE	SHEET
A. POZZORON	A. Rezzobon	1
CONTROLLER	DATE FIRST CREATION	TOT. SHEET
A. RIGONI	25-10-2010	1
	DATE FOR MODIFICATION	
	27-06-2012	

DESCRIPTION	MAX GAS 170-250 P
ECON FIRST CREATION	RBA10NP009
ECON MODIFICATION	RBA12PM017
DESCRIPTION	MAX GAS 170-250 P
ECON FIRST CREATION	RBA10NP009
ECON MODIFICATION	RBA12PM017
DESCRIPTION	MAX GAS 170-250 P
ECON FIRST CREATION	RBA10NP009
ECON MODIFICATION	RBA12PM017

CONTROL BOX	SERVOMOTOR
THERMOWATT E-BCU GAS	
LEAKAGE CONTROL	FLAME SENSOR
	ER

Overview - Spare parts list / Panoramica - Parti di ricambio / Vue d'ensemble - Pièces de rechange / Descripción - Piezas de recambio /
Обзор - Запчасти



Overview - Spare parts list / Panoramica - Parti di ricambio / Vue d'ensemble - Pièces de rechange / Descripción - Piezas de recambio / Обзор - Запчасти

N°	DESCRIPTION	DESCRIZIONE	DESIGNATION	DESCRIPCION	НАИМЕНОВАНИЕ	MAX GAS 170 P code	MAX GAS 250 P code
1	AIR PRESSURE SWITCH	PRESSOSTATO ARIA	PRESSOSTAT AIR	PRESOSTATO AIRE	РЕЛЕ ДАВЛЕНИЯ ВОЗДУХА	65323047	65323047
2	AIR INTAKE SET	GRUPPO PRESE ARIA	SET DE PRISES D'AIR	COJUNTO TOMAS DE AIRE	НАПЛЕЛИ ЗАМЕРА ДАВЛЕНИЯ В КОМП.	65324718	65324718
3	BURNER COVER	COFANO	COUVERCLE DU BRULEUR	TAPA DE QUEMADOR	КОЖУХ	65325500	65325500
4	MOTOR	MOTORE	MOTEUR	MOTOR	ДВИГАТЕЛЬ	65322877	65322877
5	CAPACITOR	CONDENSATORE	CONDENSATEUR	CONDENSADOR	КОНДЕНСАТОР	65321857	65321857
					6,3 µF SIMEI	65325000	65325000
6	HOLDER	BUSSOLA	SUPPORT	SOPORTE	ДЕРЖАТЕЛЬ	65321453	-
7	PLUG WIELAND	SPINA WIELAND	FICHE MALLE WIELAND	ESPIA WIELAND	ШТЕКЕР WIELAND	65322069	65322069
8	SOCKET WIELAND	PRESA WIELAND	FICHE FEMELE WIELAND	TOMA WIELAND	РАЗЪЕМ WIELAND	65322070	65322070
9	FAN	VENTOLA	VENTILATEUR	VENTILADOR	РАБОЧЕЕ КОЛЕСО ВЕНТИЛЯТОРА	65323820	65323820
10	AIR INTAKE	CUFFIA	VOLET D'AIR	TOMA DE AIRE	ВОЗДУХОЗАБОР	65320126	65320126
11	SUPPORTO	SUPPORT	SUPPORT	SOPORTE	ДЕРЖАТЕЛЬ БЛОКА УПРАВЛЕНИЯ	65325251	65325251
12	CONTROL BOX	APPARECCHIATURA DI CONTROLLO	COFFRET DE SECURITE	EQUIPO CONTROL LLAMA	БЛОК УПРАВЛЕНИЯ	65324169	65324169
13	IGNITION TRANSFORMER	TRASFORMATORE	TRANSFORMATEUR D'ALLUMAGE	TRANSFORMADOR	ТРАНСФОРМАТОР	65323258	65323258
14							
15	ORING	ORING	ORING	ORING	УПЛОТНИТЕЛЬНОЕ КОЛЬЦО	65321061	65321061
16	IONIZATION CABLE	CAVO DI RIVELAZIONE	CABLE D'IONISATION	CABLE DE IONIZACION	КАБЕЛЬ ИОНИЗАЦИИ	65325261	65325261
17	IGNITION CABLE	CAVO DI ACCENSIONE	CABLE D'ALLUMAGE	CABLE DE ENCENDIDO	КАБЕЛЬ РОЗЖИГА	65325501	65325501
						65325277	65325277
						65325370	65325370
18	IONIZATION PROBE	ELETTRODO DI RIVELAZIONE	SONDE D'IONISATION	ELECTRODO DE IONIZACION	ЭЛЕКТРОД ИОНИЗАЦИИ	65325242	65325242
19	IGNITION ELECTRODE	ELETTRODO DI ACCENSIONE	ELECTRODO D'ALLUMAGE	ELECTRODO DE ENCENDIDO	ЭЛЕКТРОД РОЗЖИГА	65325243	65325243
20	ROD	ASTINA REGOLAZIONE TESTA	SUPPORT TETE DE COMBUSTION	SOPORTE CABEZA DE COMBUSTION	РЕГУЛИРОВОЧНЫЙ ШТОК ОГНЕВОЙ ГОЛОВКИ	65320215	65320215
21	SUPPORT PIPE	TUBO SUPPORTO TESTA	TUYATERIE	TUBO	СОЕДИНИТЕЛЬНАЯ ГАЗОВАЯ ТРУБА	65320216	65320216
						65325502	65325502
						65325503	65325503
22	FIRING HEAD	TESTA DI COMBUSTIONE	TETE DE COMBUSTION	CABEZA DE COMBUSTION	ОГНЕВАЯ ГОЛОВКА	65321612	65321612
23	HEAD CAP	TAPPO TESTA	CALOTTE TETE	TAPA CABEZA DE COMBUSTION	ЗАГЛУШКА ОГНЕВОЙ ГОЛОВКИ	65321613	65321613
24	DIFFUSER	DIFFUSORE	DIFFUSEUR	DIFUSOR	РАССЕКАТЕЛЬ	65320823	65320823
25	TOOTH	NASELLO	MENTONNET	TUBO ANTERIOR	ДИАФРАГМА	65321614	65321614
						65321615	65321615
26	BLAST TUBE	BOCCAGLIO	GUEULARD	TUBO LLAMA	ТРУБА ЖАРОВАЯ	65320398	65320398
						65320399	65320399
27	INNER ASSEMBLY	GRUPPO TESTA	GROUPE TETE DE COMBUSTION	GRUPO CABEZA DE COMBUSTION	ОГНЕВАЯ ГОЛОВКА В СБОРЕ	65322573	65322573
						65324795	65324795
28	GASKET	GUARNIZIONE	JOINT	JUNTA	УПЛОТНИТЕЛЬНАЯ ПРОКЛАДКА	65321106	65321106
29	FLANGE	FLANGIA	BRIDE	BRIDA	ФЛАНЦ	65320971	65320971

TC = Testa corta / Short Head / Tete courte / Cabeza corta / Короткая жаровая труба TL = Testa lunga / Long Head / Tete longue / Cabeza larga / Длинная жаровая труба

Ecoflam

Ecoflam Bruciatori S.p.A.

Via Roma, 64 - 31023 Resana (TV) - Italy

Tel. +39 0423 719500

Fax +39 0423 719580

<http://www.ecoflam-burners.com>

e-mail: export@ecoflam-burners.com

Società soggetta alla direzione e al coordinamento di Ariston Thermo S.p.A.
Via A. Merloni, 45 - 60044 Fabriano (AN) - CF 01026940427

Ecoflam Bruciatori S.p.A. reserves the right to make any adjustments, without prior notice, which is considered necessary or useful to its products, without affecting their main features

Ecoflam Bruciatori S.p.A. si riserva il diritto di apportare ai prodotti le modifiche che riterrà necessarie o utili, senza pregiudicare le caratteristiche principali.

La maison Ecoflam Bruciatori S.p.A. se réserve le droit d'apporter les modifications qu'elle jugera nécessaires ou utiles à ses produits sans pour autant nuire à leurs caractéristiques principales

Ecoflam Bruciatori S.p.A. se reserva el derecho a introducir en sus productos todas las modificaciones que considere necesarias o utiles, sin perjudicar sus características

"Ecoflam Bruciatori S.p.A." оставляет за собой право вносить в конструкцию оборудования любые необходимые изменения без особого предупреждения.

Ecoflam Bruciatori S.p.A. behält sich das Recht vor, ohne Beeinträchtigung der wesentlichen Eigenschaften für notwendig oder sinnvoll erachtete Änderungen an den Produkten vorzunehmen.