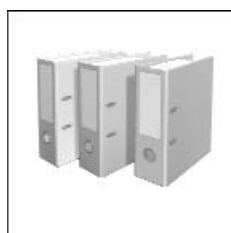


MAX GAS 350 P  
MAX GAS 500 P



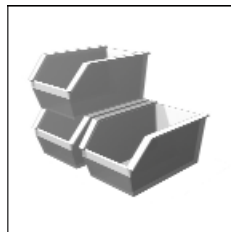
**Technical data**  
**Dati tecnici**  
**Données techniques**  
**Datos técnicos**  
**Технические характеристики**



**Operating instructions**  
**Istruzioni per l'uso**  
**Notice d'emploi**  
**Manual de uso**  
**Руководство по эксплуатации**



**Electric diagrams**  
**Schemi elettrico**  
**Schémas électrique**  
**Esquemas eléctrico**  
**Электрические схемы**



**Spare parts list**  
**Parti ricambi**  
**Pièces de rechange**  
**Piezas de recambio**  
**Запчасти**



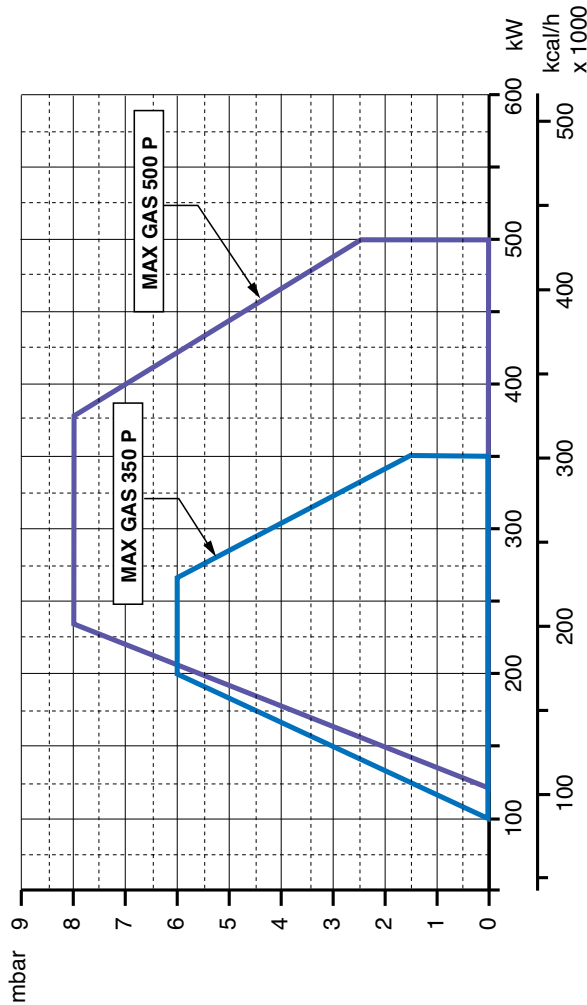
420010492303

MAX GAS 350 LN P TC SGT 230-50 TW	3143283
MAX GAS 350 LN P TL SGT 230-50 TW	3143284
MAX GAS 500 LN P TC SGT 230-400-50 TW	3143285
MAX GAS 500 LN P TL SGT 230-400-50 TW	3143286

**Overview - Index of contents / Panoramica - Indice dei contenuti / Vue d'ensemble - Table des matières**  
**Descripción - Sumario / Обзор - Содержание**

<p>Technical data            Dati tecnici            Données techniques            Datos técnicos            Технические характеристики</p>	<p>EN IT FR ES RU</p>	<p>3</p>
<p>Working diagrams            Campi di lavoro            Domaine de fonctionnement            Ámbito de funcionamiento            Рабочий диапазон</p>	<p>EN IT FR ES RU</p>	<p>4</p>
<p>Dimensions            Dimensioni            Dimensions            Dimensiones            Размеры</p>	<p>EN IT FR ES RU</p>	<p>5</p>
<p>Operating instructions for authorised specialists</p>	<p>EN</p>	<p>6 - 17</p>
<p>Istruzione per l'uso per il personale qualificato</p>	<p>IT</p>	<p>18 - 29</p>
<p>Notice d'emploi pour l'installateur spécialiste</p>	<p>FR</p>	<p>30 - 41</p>
<p>Instrucciones de montaje para el instalador especialista</p>	<p>ES</p>	<p>42 - 53</p>
<p>Инструкция по эксплуатации для квалифицированных специалистов</p>	<p>RU</p>	<p>54 - 65</p>
<p>Gas pressure diagrams            Diagrammi di pressione gas            Diagrammes de pression de gaz            Diagramas de presión de gas            Диаграммы давления газа</p>	<p>EN IT FR ES RU</p>	<p>66 - 67</p>
<p>Electric diagrams            Schemi elettrico            Schémas électrique            Esquemas eléctrico            Электрические схемы</p>	<p>EN IT FR ES RU</p>	<p>68 - 69</p>
<p>Spare parts list            Parti di ricambio            Pièces de rechange            Piezas de recambio            Запчасти</p>	<p>EN IT FR ES RU</p>	<p>70 - 71</p>

Technical data - Dati tecnici - Données techniques - Datos técnicos - Технические характеристики		MAX GAS 350 P		MAX GAS 500 P	
Burner output max/min kW - kcal/h	Potenza bruciatore max/min kW - kcal/h	Puissance du brûleur max/min kW - kcal/h	Potencia del quemador max/min kW - kcal/h	Мощность горелки макс./мин., кВт - ккал/ч	
Operation 1 stage	Funcionamiento 1 stadio	Fonctionnement 1 allure	Funcionamiento 1 etapa	Модификация 1 ступень	1
Regulating ratio	Rapporto di regolazione	Rapport de régulation	Relación de regulación	Коэффициент регулирования	1:1
Fuel	Combustibile	Fuel	Combustible	Топливо	Natural Gas (L.C.V. 8.570 kcal/Nm <sup>3</sup> ), LPG (L.C.V. 22.260 kcal/Nm <sup>3</sup> ) (G20) Hu = 10,35 kWh/m <sup>3</sup> - (G25) Hu = 8,83 kWh/m <sup>3</sup> (G31) Hu = 25,89 kWh/m <sup>3</sup>
Emission class	Classe di emissione	Classe d'émission	Tipo de emisión	Класс выделения загрязняющих веществ	Standard Class 3 - GAS EN676 (<80mg/kWh)
Control box	Apparecchiatura di controllo	Coffret de sécurité	Cajetín de seguridad	Блок управления и безопасности	ARISTON E-BCU GAS
Gas train	Rampa gas	Rampe gaz	Rampa de gas	Газовая рампа	GAS TRAIN TABLE - DIFFERENT MODELS / CONFIGURATIONS
Gas connection	Allacciamento gas	Raccordement gaz	Conexión de gas	Подсоединение газа	Rp 20 3/4" - Rp 40 1"1/2
Gas input pressure	Pressione di ingresso gas	Pression d'entrée du gaz	Presión de entrada del gas	Давление газа на входе	17 (20 Max Gas 500) - 500 mbar (SEE GAS TRAIN MATCHING TABLE)
LPG input pressure	Pressione di ingresso LPG	Pression d'entrée du gaz propane	Presión de entrada LPG	Давление LPG на входе	29 (37 Max Gas 500) - 500 mbar (SEE GAS TRAIN MATCHING TABLE)
Air regulation Air flap	Regolazione aria Serranda dell'aria	Réglage de l'air Volet d'air	Ajuste del aire Válvula de aire	Настройка подачи воздуха Воздушная заслонка	-
Flame monitor	Rivelatore di fiamma	Surveillance de flamme	Vigilancia de llama	Контроль пламени	ionization
Ignition transformer	Trasformatore d'accensione	Allumeur	Encendedor	Устройство розжига	danfoss / cofi
Electric motor rpm - watt	Motore elettrico giri motore - watt	Moteur rpm - watt	Motor rpm - watt	Электродвигатель об/мин - watt	2800 rpm 300 W
Voltage	Tensione	Tension	Tensión	Напряжение	230 V (230/400 V Max Gas 500) / 50 Hz
Power consumption (operation)	Potenza elettrica assorbita (Esercizio)	Puissance électrique absorbée (en service)	Potencia eléctrica absorbida (en funcionamiento)	Потребляемая электрическая мощность: (при работе)	600 W 940 W
Weight	Peso	Poids	Peso	Приблизительный вес	19,6 kg 23,5 kg
Protection level	Classe di protezione	Indice de protection	Indice de protección	Класс электробезопасности	IP40
Sound pressure level dB(A)	Livello pressione sonora dB(A)	Niveau pression acoustique dB(A)	Nivel de presión acústica dB(A)	Уровень шума, dB(A)	73 73
Ambient temp. for storage	Temperatura ambiente di stoccaggio	Température ambiente de stockage	Temperatura ambiente de almacenamiento	Температура хранения	-20°...+70° C
Temperature for use	Temperatura d'utilizzazione	Température d'utilisation	Temperatura ambiente de utilización	Рабочая температура	-10°...+60° C



**Working diagram**

The working diagram shows burner output as a function of combustion chamber pressure. It corresponds to the maximum values specified by EN 676 measured at the test fire tube. **The efficiency rating of the boiler should be taken into account when selecting a burner.**

Calculation of burner output:

$$QF = \frac{Q_N}{\eta_k}$$

QF = Burner output (kW)

QN = Rated boiler output (kW)

$\eta_k$  = Boiler efficiency (%)

**Curva**

Il campo di attività indica la potenza del bruciatore in funzione della pressione della camera di combustione. Corrisponde ai valori massimi previsti dalla norma EN 676 misurati sul tubo della fiamma di controllo. **In occasione della scelta del bruciatore si deve tenere conto del rendimento energetico della caldaia.**

Calcolo della potenza della caldaia:

$$QF = \frac{Q_N}{\eta_k}$$

QF= potenza della caldaia (kW)

QN= rendimento nominale della caldaia (kW)

$\eta_k$  = rendimento energetico della caldaia (%)

**Domaine de fonctionnement**

Le domaine de fonctionnement correspond aux valeurs mesurées lors de l'homologation. Elle correspond aux valeurs max mesurées sur tunnel d'essai d'après l'EN 676. **Pour le choix du brûleur, tenir compte du rendement de la chaudière.**

Calcul de la puissance calorifique:

$$QF = \frac{Q_N}{\eta_k}$$

QF= Puissance calorifique (kW)

QN= Puissance nominale chaudière (kW)

$\eta_k$  = Rendement chaudière (%)

**Ámbito de funcionamiento**

El ámbito de funcionamiento corresponde a los valores registrados en el momento de la homologación. Corresponde a los valores máx medidos en el túnel de ensayo según la EN 676. **Para la elección del quemador, se ha de tener en cuenta el rendimiento de la caldera.**

Cálculo de la potencia calorífica:

$$QF = \frac{Q_N}{\eta_k}$$

QF = Potencia calorífica (kW)

QN = Potencia nominal de la caldera (kW)

$\eta_k$  = Rendimiento de la caldera (%)

**Рабочий диапазон**

Рабочий диапазон показывает производительность горелки в зависимости от давления в топочной камере. Он соответствует максимальным значениям согласно EN 676, измеренным в контрольной топочной камере. **При выборе горелки необходимо учитывать КПД котла.**

Расчет тепловой мощности:

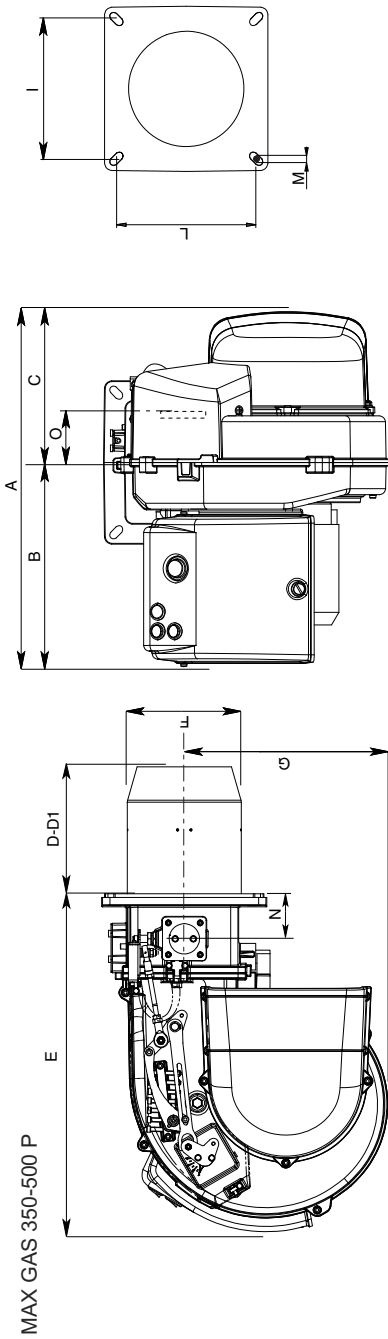
$$QF = \frac{Q_N}{\eta_k}$$

QF = Тепловая мощность, кВт

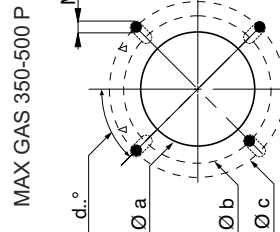
QN= Номинальная мощность котла, кВт

$\eta_k$  = КПД котла, %

Overview - Dimensions / Panoramica - Dimensioni / Vue d'ensemble - Dimensions / Descripción - Dimensiones / Обзор - Размеры



Model	A	B	C	D	D1	E	F	G	I	L	M	N	O
MAX GAS 350 P	485	277	208	175	335	466	157	280	185/200	185/200	M8	62	101
MAX GAS 500 P	485	277	208	175	335	466	157	280	185/200	185/200	M8	62	101



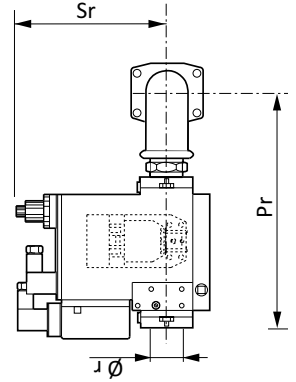
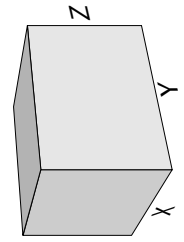
MAX GAS 350-500 P

**Boiler plate drilling**

Model	Ø a	Ø b	Ø c	d°..
MAX GAS 350 P	167	262	283	45°
MAX GAS 500 P	167	262	283	45°

**Packaging**

Model	X	Y	Z	kg
MAX GAS 350 P	500	830	600	23,5
MAX GAS 500 P	500	830	600	29



GAS TRAIN DIMENSIONS:  
refer to GT manual

## Contents - Index - General warnings - Conformity declaration

<b>Overview</b>	Technical data	3
	Working diagrams	4
	Dimensions	5
<b>Contents</b>	Index	6
	General warnings - Conformity declaration	6
	Burner description	7
<b>Function</b>	General safety functions	8
	E-BCU control box	9
<b>Installation</b>	Burner assembly	10
	Electrical connection - Checks before commissioning	11
<b>Start up</b>	Adjusting burner output	12-13
	Air pressure switch adjustment - setting gas pressostat	14
<b>Service</b>	Maintenance	15-16
	Troubleshooting	17
<b>Overview</b>	Gas pressure diagrams	66-67
	Electrical diagrams	68-69
	Spare parts list	70-71

### Important notes

MAX GAS 350-500 P burners are designed for the low-pollutant combustion of natural gas and Liquefied Petroleum Gas. The design and function of the burners comply with standard EN676. Assembly and commissioning must be carried out only by authorised specialists and all applicable guidelines and directives must be observed.

### Burner description

MAX GAS 350-500 P are single-stage, fully automatic, monoblock type burners. The special design of the burner head provides low-polluting combustion with high efficiency. In line with testing as defined by EN676, the values comply with emissions class 3 ( $\text{NO}_x < 80 \text{ mg/kWh}$ ) Emissions values may differ, depending on combustion chamber dimensions, combustion chamber load and the firing system (three-pass boilers, boilers with reverse firing).

They are suitable for use with all heat generators complying with EN 303 or for use with hot air generators complying with DIN 4794, and DIN 30697 within their respective performance range.

Use for any other application requires the approval of Ecoflam.

The following standards should be observed in order to ensure safe, environmentally sound and energy-efficient operation:

### EN 676

Forced-draught gas burners

### EN 226

Connection of fuel oil and forced-draught gas burners to a heat generator.

### EN 60335-1, -2-102

Specification for safety of household and similar electrical appliances, particular requirements for gas burning appliances.

### Installation location

The burner must not be operated in rooms containing aggressive vapours (e.g. spray, perchloroethylene, hydrocarbon tetrachloride, solvent, etc.) or tending to heavy dust formation or high air humidity. Adequate ventilation must be provided at the place of installation of the furnace system to ensure a reliable supply with combustion air.

Variations may arise as a result of local regulations.

### We can accept no warranty liability whatsoever for loss, damage or injury caused by any of the following:

- Inappropriate use.
- Incorrect assembly or repair by the customer or any third party, including the fitting of non-original parts.

### Provision of the system and the operating instructions

The firing system manufacturer must supply the operator of the system with operating and maintenance instructions on or before final delivery. These instructions should be displayed in a prominent

### Declaration of conformity for gas burners

We,

**Ecoflam Bruciatori S.p.A.**

declare under our sole responsibility that the gas burners named

### MAX GAS

conform to the following standards:

EN 676	EN 50156-1
EN 55014-1	EN 55014-2
EN 60335-1	EN 60335-2-102
EN 61000-6-2	EN 61000-6-3

These products bear the CE mark in accordance with the stipulations of the following directives:

**2014/35/UE Low Voltage Directive**  
**2014/30/UE EMC Directive**  
**2006/42/EC Machine directive**  
**2011/65/EU RoHS2 directive**  
**2009/142/CEE Gas Appliance Directive**

February, 2016 / Mr. Ruben Cattaneo  
 R&D manager



location at the point of installation of the heat generator, and should include the address and telephone number of the nearest customer service centre.

### Notes for the operator

The system should be inspected by a specialist at least once a year. It is advisable to take out a maintenance contract to guarantee regular servicing.

Ecoflam burners have been designed and built in compliance with all current regulations and directives.

All burners comply to the safety and energy saving operation regulations within the standard of their respective performance range. The quality is guaranteed by a quality and management system certified in accordance with ISO 9001:2008.



## Contents - Burner description

MAX GAS 350 LN P TC SGT 230-50 TW

### RANGE NAME BY FUEL TYPE

MAX GAS Gas

### MODEL SIZE (Gas: kW; Oil: kg/h)

MAX GAS 350 350 kW

### EMISSION COMBUSTION TYPE

LN Low NOx Class 3 GAS EN676 (<80 mg/kWh)  
 - Standard Class 2-GAS EN676 (<120 mg/kWh)

### OPERATION TYPE

P 1 stage  
 PAB 2 stages

### HEAD TYPE

TC Short head  
 TL Long head

### FUEL

Natural gas  
 LPG LPG

### EQUIPMENT

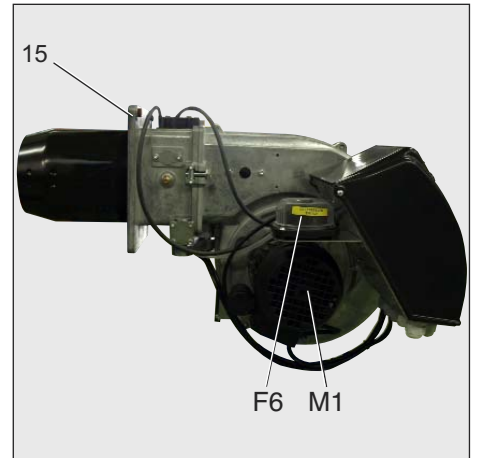
SGT Separate gas train

### ELECTRICAL SUPPLY TO THE SYSTEM

230-50 230 Volt, 50 Hz

### CONTROL BOX

TW Thermowatt



- A1 E-BCU Gas control unit
- F6 Air pressure switch
- M1 Electric motor
- T1 Ignition transformer
- 3 Air regulation in the burner head
- 5 Housing
- 8 Blast tube
- 14 Burner hood
- 15 Burner flange
- 113 Air intake

### Scope of delivery

The burner is delivered in a modular system of packagings i.e. separate set/box:

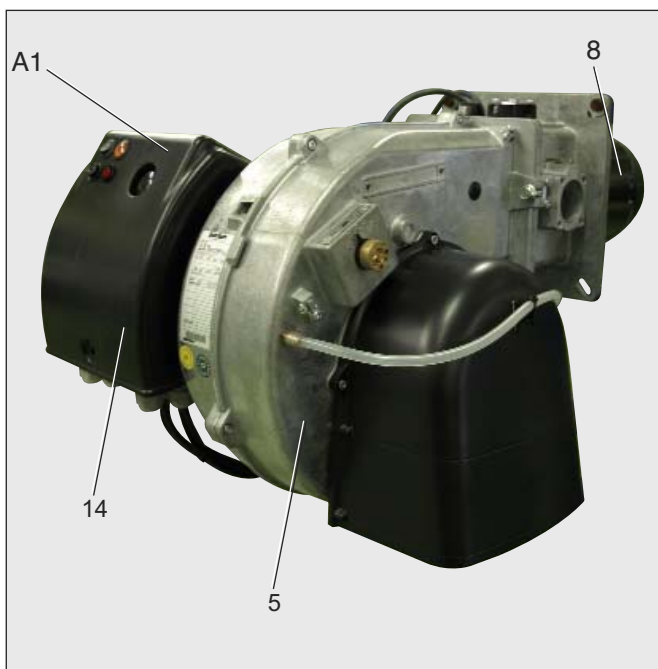
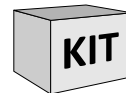
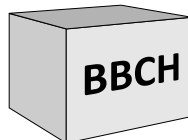
**BBCH:** Burner Body with Combustion Head with flange.

- 1 bag including : - multilanguage technical manual.
- wieland plug.
- spanner.
- screws, nuts and washer.

**GT:** separate Gas Train

**KIT & ACS** are managed and delivered separately

**KIT & ACS delivered separately**



## Function - General safety functions

### Description of functions

When the system is switched on for the first time, after a power failure or safety shutdown, after a lack of gas or after the system has been out of operation for 24 hours, the pre-ventilation period of 24 seconds begins.

### During pre-purge period:

- blower pressure is monitored
- the combustion chamber is monitored for flame signals.

### At the end of the pre-purge period:

- ignition is switched on.
- main and safety valve are opened.
- burner starts.

### Monitoring

The flame is monitored by an ionisation probe. The probe is insulated and fitted to the gas head and is routed through the flame disc into the flame zone. The probe must not have any electrical contact with earthed parts. The burner switches to lock-out if a short circuit occurs between the probe and the burner earth.

During burner operation, an ionised zone is produced in the gas flame through which a rectified current flows from the probe to the burner head. The ionisation current must be at least 1,5 µA.

### Safety functions

- If no flame is produced when the burner is started (gas release), the burner will be switched off at the end of the safety period, lasting no more than 3 seconds, and the gas valve will close.
- If the flame goes out during operation, the gas supply is interrupted within one second. A restart takes place. Once the burner starts, operation is continued.

Otherwise, a safety lock-out occurs.

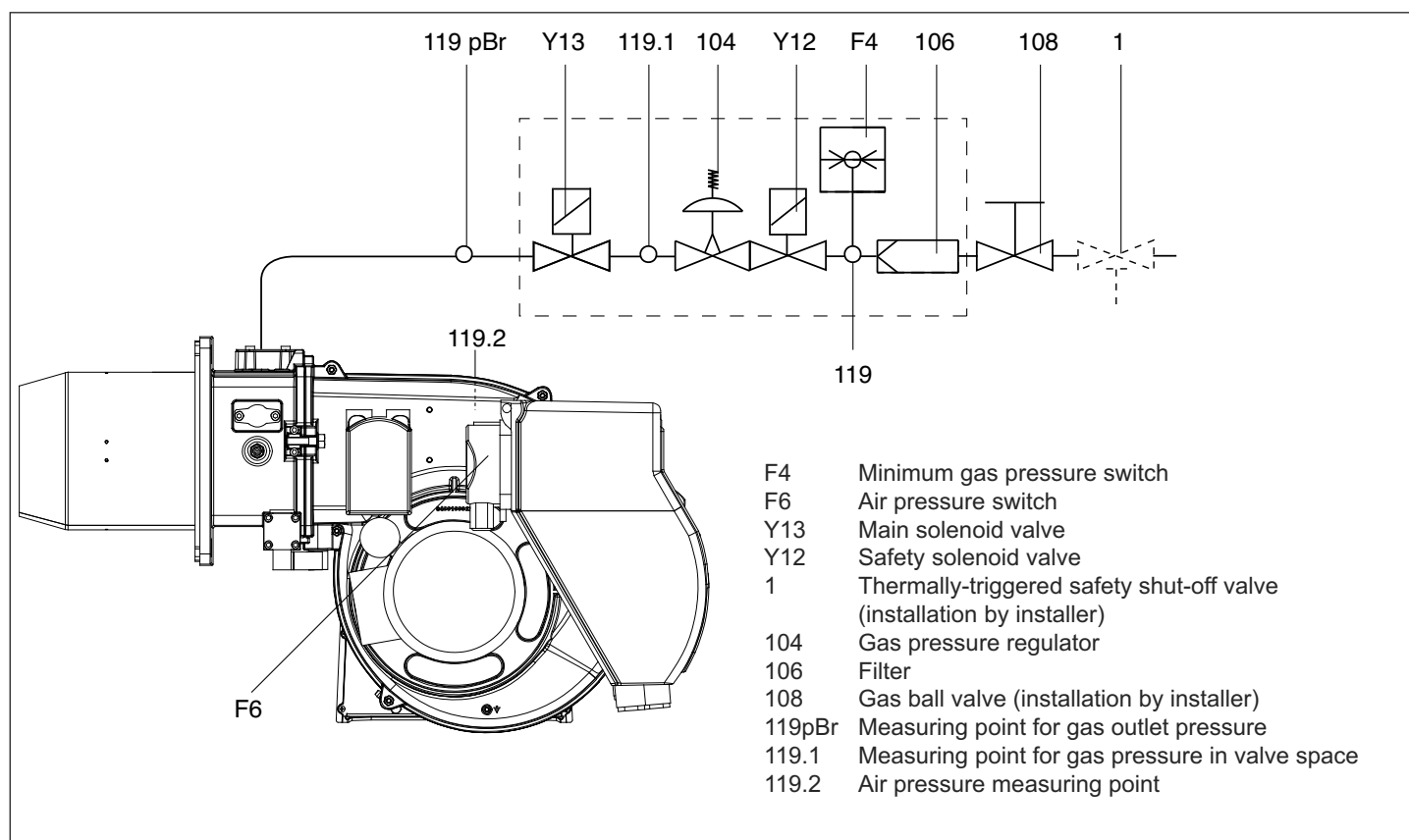
- If there is a lack of air during reventilation or operation, a safety lock-out occurs.
- If there is a lack of gas, the burner does not begin operation or switches off.

A waiting time of 2 minutes follows. This is followed by a further start attempt. If there is still no gas pressure, a further waiting time of 2 minutes follows. The waiting time can only be reset by interrupting the power supply to the burner.

Waiting times: 3 x 2 min, then 1 hour.

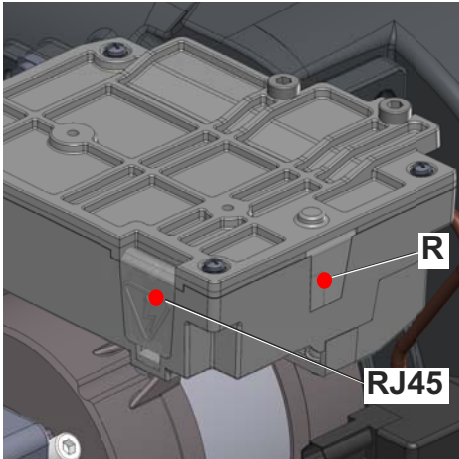
### In the event of controller shutdown

- Controller thermostat interrupts heat request.
- Gas solenoid valves close.
- Flame goes out.
- Burner motor switches off.
- Burner is ready for operation.





## Function - E-BCU GAS control and safety unit



**R** - Reset button + lock-out led.  
**RJ45** - Connector for PC interface (diagnostic, separate item).

The E-BCU GAS fuel gas/LPG control and safety unit controls and monitors the forced draught burner. The microprocessor-controlled program sequence ensures maximum stability of time periods, regardless of fluctuations in the power supply or ambient temperature. The design of the automatic combustion control unit protects it from the effects of brownouts. Whenever the supply voltage drops below its rated minimum level (170 V), the control unit shuts down - even in the absence of a malfunction signal. The control unit switches itself back on again once the voltage has exceeded the 178 V.

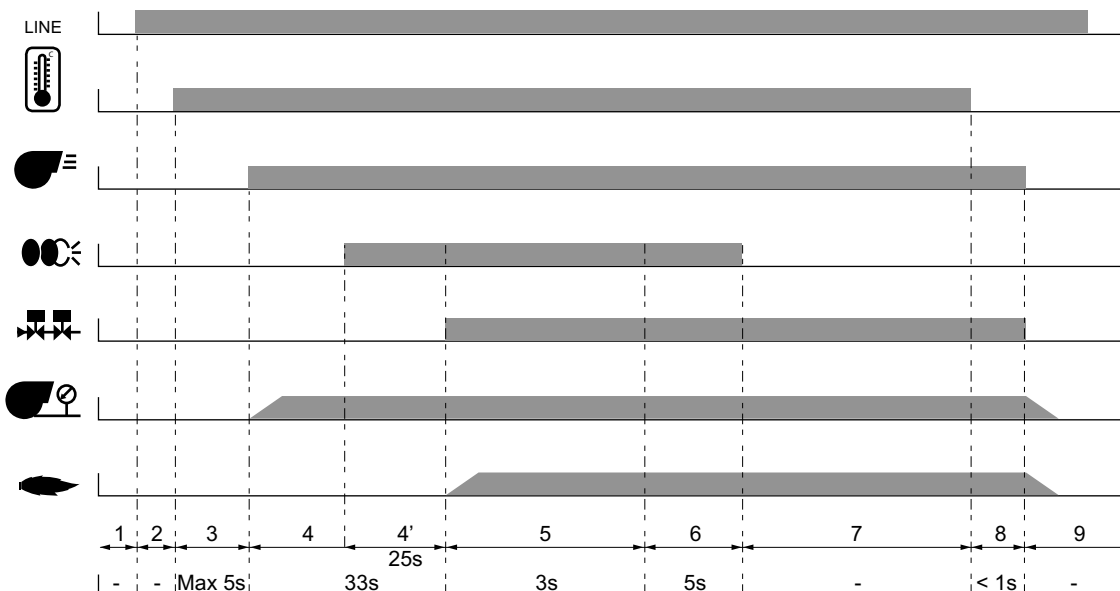
**Locking and unlocking the system**  
 The control unit can be locked (switched to malfunction) and unlocked (malfunction cleared) by pressing the R reset button, provided the system is connected to the mains power supply.

**!** Always disconnect the power supply before installing or removing the control unit  
 Do not attempt to open or carry out repairs on the control unit

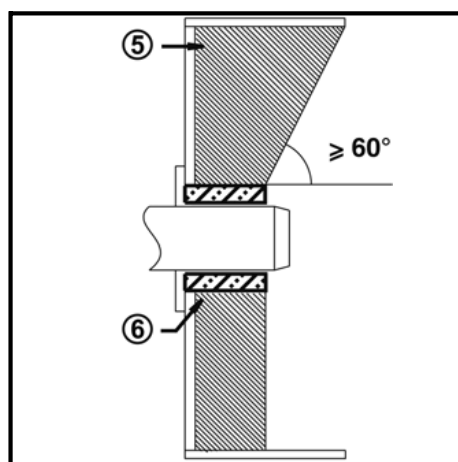
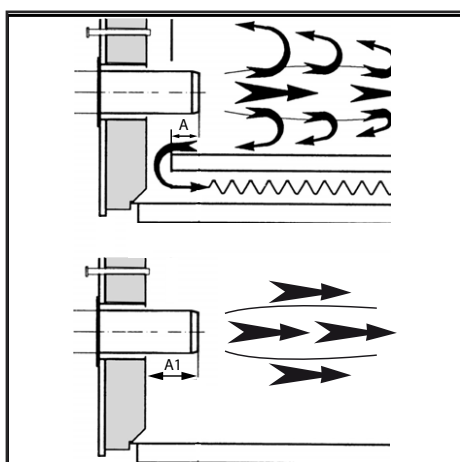
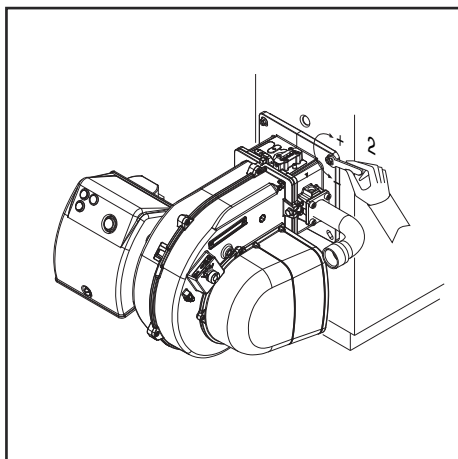
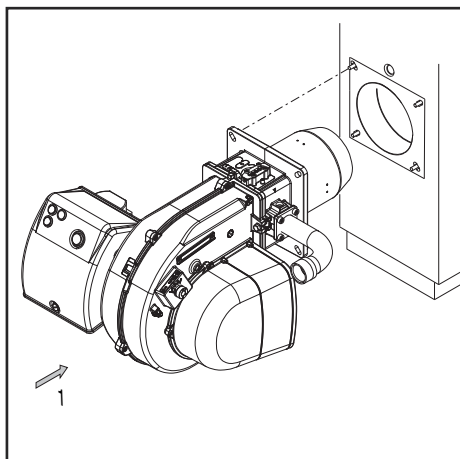


KIT E-BCU  
 DIAGNOSTIC TOOL  
 (not supplied)

Symbol	Designation
	Waiting for heat request
	Fuel valve
	Waiting for air pressure switch during burner start
	Burner motor on
	Ignition transformer on
	Flame present



## Installation - Burner assembly

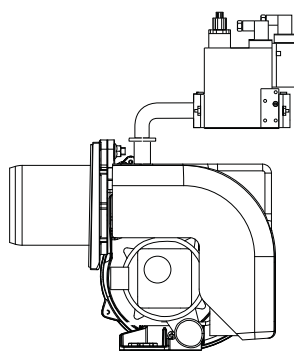


### Gas lines

When installing the gas lines and gas train, the general EN676 directives and guidelines must be observed. EN676 compulsory kit and accessories in order to comply to the safety regulations. Additional accessories and kits shall be installed by the installer in accordance to the local safety regulations and codes of practise.

### General regulations applying to the gas connection

- The gas train must only be connected to the gas mains by a recognised specialist.
- The cross-section of the gas line should be of a size designed to guarantee that the gas flow pressure does not drop below the specified level.
- A manual shut-off valve (not supplied) must be fitted upstream of the gas train.



### Burner assembly

The burner is fixed by mean of connecting flange and therefore to the boiler.

### Installation:

- fix the flange to the boiler with the screws.

### Removal:

- loosen screw.
- pull the burner out of the boiler.

### Burner blast tube insertion depth and brickwork

Unless otherwise specified by the boiler manufacturer, heat generators without a cooled front wall require brickwork or insulation 5 as shown in the illustration. The brickwork must not protrude beyond the leading edge of the blast tube, and should have a minimum conical angle of 60°. Gap 6 must be filled with an elastic, non-combustible insulation material. For boilers with reverse firing, the minimum burner tube insertion depth **A** as specified in the boiler manufacturer's instructions must be observed.

On boilers the blast tube insertion depth should be observed as per the boiler manufacturer's instructions.

Reverse flame boiler :

A = 50-100 mm.

Three pass boilers :

A1 = 50-100 mm.

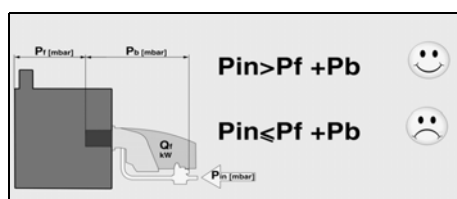
### Exhaust system

To avoid unfavourable noise emissions, right-angled connectors should not be used on the flue gas side of the boiler.

## LPG TRANSFORMATION

KITLPG-MAXGAS...

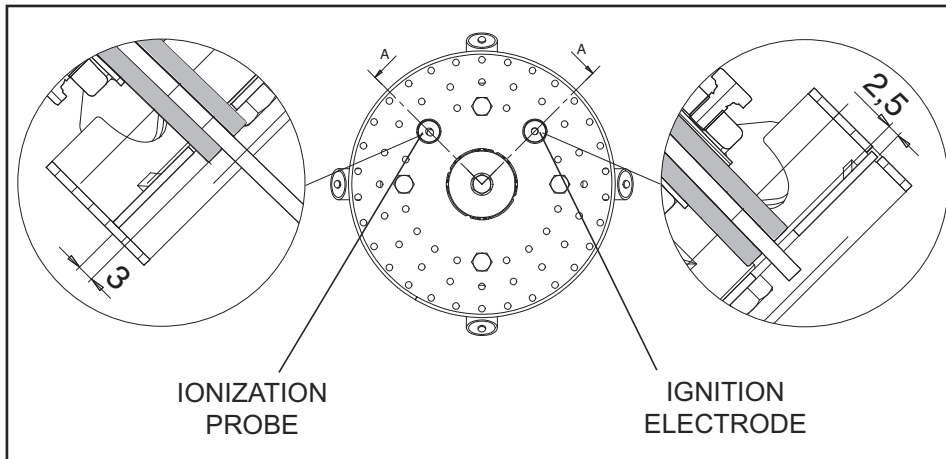
For operation with Liquefied Petroleum Gas, it is necessary to order the kit and follow the instructions given in the specific manual.



### LEGENDA

Pf: Back pressure of furnace  
 Pb: Pressure of burner (combustion head + complete gas train)  
 Pin: Minimum inlet pressure

## Installation - Electrical connection - Checks before commissioning



### Position of electrodes

Setting the ionisation probe and ignition electrode: see diagram  
Always check the position of the electrodes after service or substitution or assembly of LPG kit as wrong position might cause ignition problem.

### Checks before commissioning

- The following must be checked before initial commissioning:
- That the burner is assembled in accordance with the instructions given here.
  - That the burner is pre-set in accordance with the values in the adjustment table.
  - Setting the combustion components.
  - The heat generator must be ready for operation, and the operating regulations for the heat generator must be observed.
  - All electrical connections must be correct.
  - The heat generator and heating system must be filled with water and the circulating pumps must be in operation.
  - The thermostats, pressure regulator, low water detectors and any other safety or limiting devices that might be fitted must be connected and operational.
  - The exhaust gas duct must be unobstructed and the secondary air system, if available, must be operational.
  - An adequate supply of fresh air must be guaranteed.
  - The heat request must be available.
  - Sufficient gas pressure must be available.
  - The fuel supply lines must be assembled correctly, checked for leaks and bled.
  - A standard-compliant measuring point must be available, the exhaust gas duct up to the measuring point must be free of leaks to prevent anomalies in the measurement results.

### Electrical connection

The electrical installation and connection work must only be carried out by an authorised electrical specialist. All applicable rules and regulations must be observed. The electrical installation should include a type A circuit breaker.

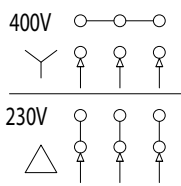
**The applicable guidelines and directives must be observed, as well as the electrical circuit diagram supplied with the burner!**

- Check to ensure that the power supply voltage is as specified in the electric diagram and in data plate.
- Burner fuse: 5 A.

referring to the absorption values indicated in the motor nameplate. If necessary, replace the thermal relay with another one of suitable scale.

This operation is not possible on motors above 3 kW.

For more information, please contact the Ecoflam staff.



### Electrical connection (plug-in)

It must be possible to disconnect the burner from the mains using an omnipolar shutdown device complying with the standards in force. The burner and heat generator (boiler) are connected by a 7-pin connector (fig.1).

### Connecting the gas train

Connect the gas train to the plugs on the burner.

### The burners are produced with connections suitable for power supply 400 V three-phase.

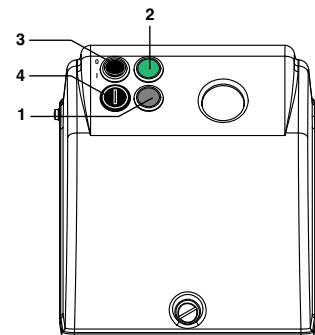
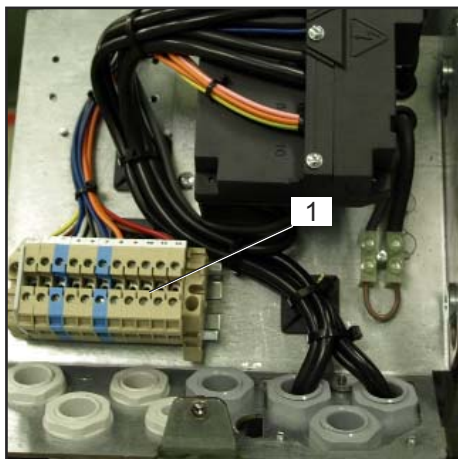
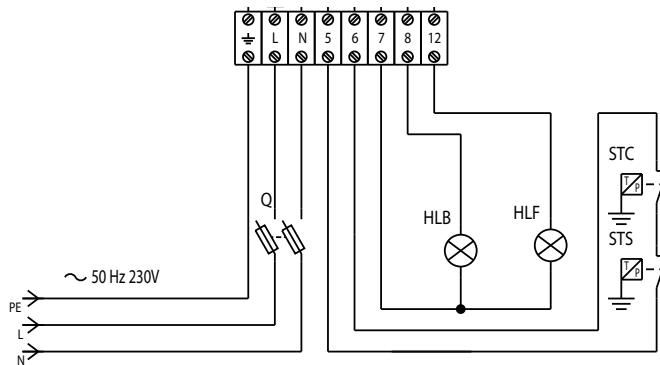
The burners with electric motors of an output lower or equal to 3 kW can be adapted to 220-230 V (please follow the instructions on the backside); motors with higher output can only work 380-400 V three-phase.

In case of request of burners different from the above mentioned standard, it is recommended to make specific mention in the order.

### Instructions: how to adapt electric motors of an output lower or equal to 3 kW to 220-230 V power supply

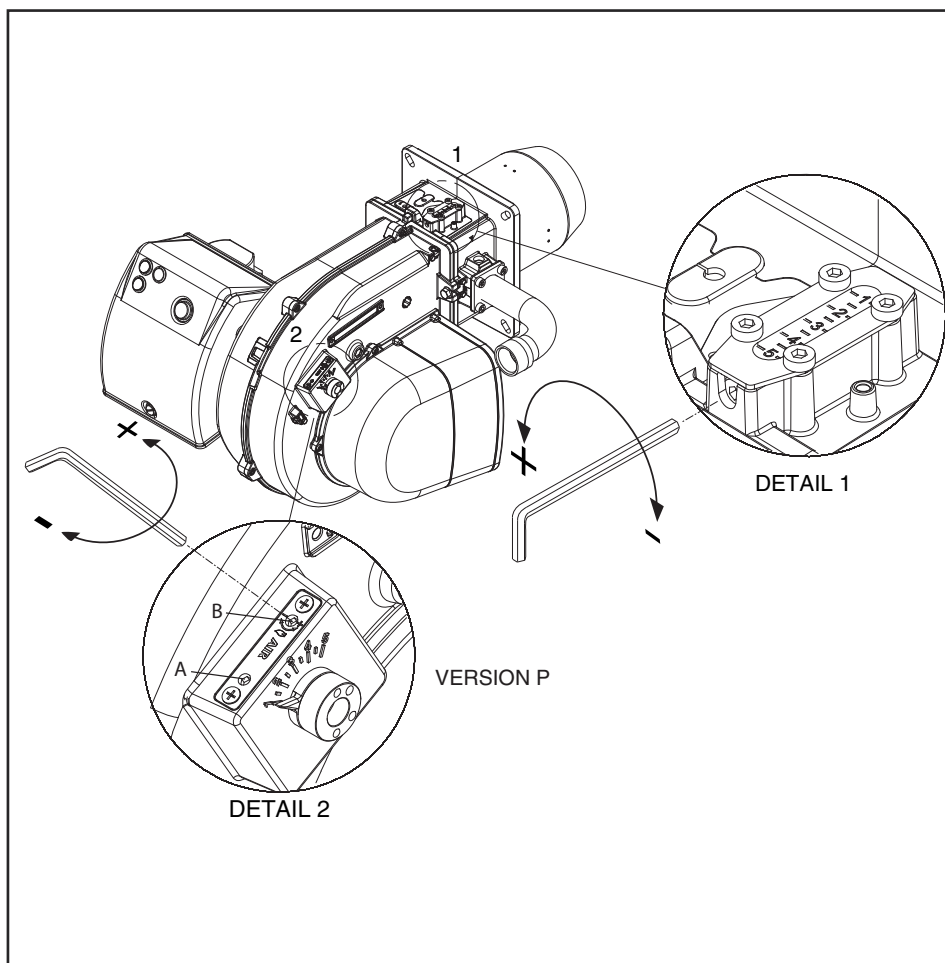
It is possible to change the voltage of the burner by operating as follows:

1. change the connection inside the electric box of the motor, from star to delta (see picture);
2. change the setting of the thermal relay,



- 1 - reset key
- 2 - working lamp
- 3 - main switch I / O
- 4 - fuse

## Start up - Adjusting burner output



### Regulating the combustion of the one-stage burner

- position the air valve in the fully open setting (pos. 4).

(for particularly low power only, if the reduction of air is not sufficient with the head in position 1, reduce the opening of the air valve).

- dose the air by moving the combustion head (figure) to suit the power required (as shown in figure).
- dose the gas by regulating the gas ramp (see figure in the ramp manual).

### Firing head setting (1).

To act on the screw in figure:

- turn Allen key till you reach the requested value (index 1-5).

#### ! Risk of air blast!

Continuously check CO, CO<sub>2</sub> and soot emissions when adjusting the output of the burner. Optimise combustion values in the event of CO formation. CO must not exceed 50 ppm.

## Start up - Adjusting burner output

### Gas pressure diagrams in appendix

Minimum gas pressure required are indicated in the diagrams in the appendix. These values have been determined in our test labs and are useful for the first switch-on as final setting must be done using a combustion analyzer.

### How to read and adjust the values:

- determine the output required
- determine the combustion chamber back-pressure

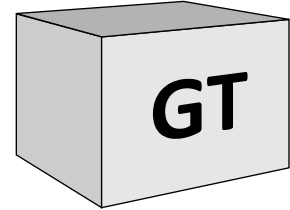
- read the minimum gas pressure required in the diagrams in appendix.

### Optimising combustion values

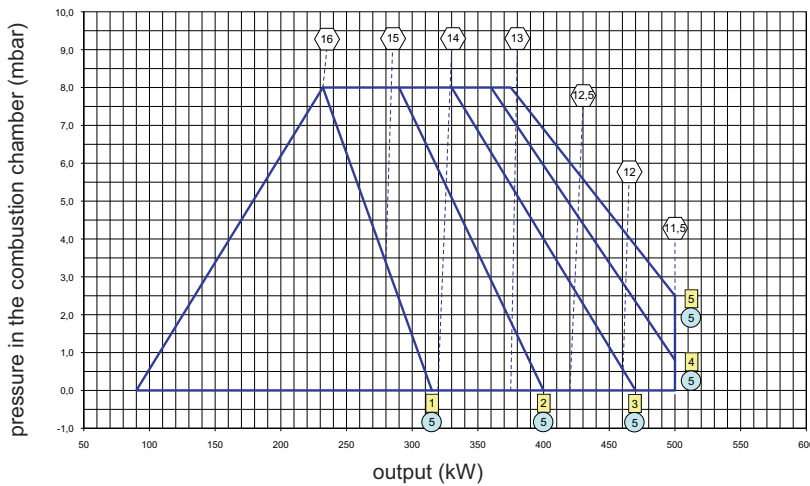
The factory setting shall be modified according to the output required. The diagrams of air/head setting that are available in the appendix of this manual are a guide for ensuring that the burner functions as well as possible.

### Adjustment of gas solenoid valve

Refer to the gas train manual for the gas setting of the gas train selected.



EXAMPLE OF PRE-CALIBRATION MAX GAS 500 P



**N.B.** observe the minimum required flue gas temperature specified by the boiler manufacturer and the requirements demanded of ue gas ducts for avoiding condensation.

- head gas pressure (on elbow) (mbar)
- head position
- air damper position

**Warning:** the pre-calibration values have been determined on EN676 test combustion chambers in ideal conditions, and are useful for the first switch-on but must be checked and corrected with calibration for the individual system.

### Example in figure:

Power required by the generator: 380 kW.  
 Pressure envisaged in combustion chamber: 3.5 mbar. Combustion head chamber: 2.5 (between 2 and 3). Gas pressure in head: 13 mbar.

## Start up - Air pressure switch adjustment - Setting gas pressostat

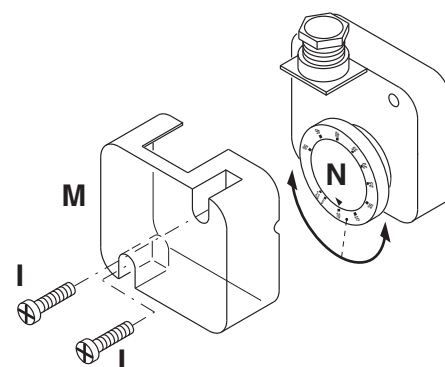
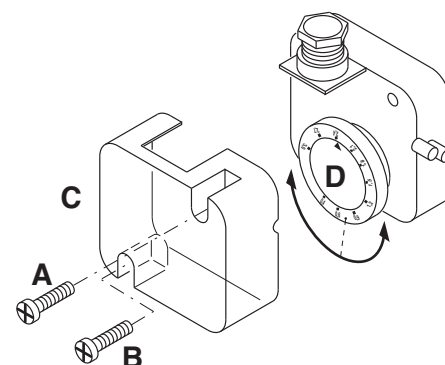
### Air pressure switch calibration

The air pressure switch is provided for monitoring the pressure of the combustion air fan.

Unscrew screws A and B and remove cover C.

After the air and gas setting you have to calibrate the air switch with the burner working on the low flame by slowly turning the relative knob clockwise until the burner locks out. Read the value and then decrease it by 15%.

**WARNING:** the air pressure switch shall prevent the air pressure to go below 85% from the adjustment value in order to prevent the CO in the fumes to exceed 1% (10000 ppm).



### Min gas pressure switch

The gas pressure switch has the function to check that the gas pressure before the gas valve does have the minimum pressure to make the burner running correctly.

Unscrew off and remove cover M.

- Set knob N to a value equal to 60% of gas nominal feed pressure (i.e. for natural gas nom. pressure = 20 mbar, set knob to a value of 12 mbar; for LPG nom. pressure of G30/G31- 30/37 mbar, set knob to a value of 18 mbar). Screw up cover M.

### Operating check

Flame monitoring must be checked for safety as part of initial commissioning and also after servicing or if the system has been out of operation for any significant period of time.

- Start attempt with gas ball valve closed: the automatic combustion control unit must switch to gas shortage or malfunction after the end of the safety period.

## Service - Maintenance

**Burner and boiler servicing must only be carried out by qualified personell. The system operator is advised to take out a service contract to guarantee regular servicing.**

**Attention**

- Disconnect the electrical supply before

carrying out any maintenance or cleaning work.

- The blast tube and firing head may be hot.

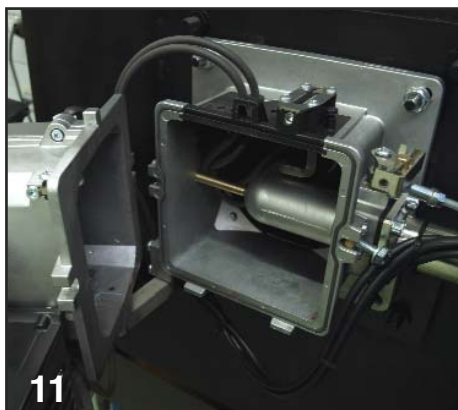
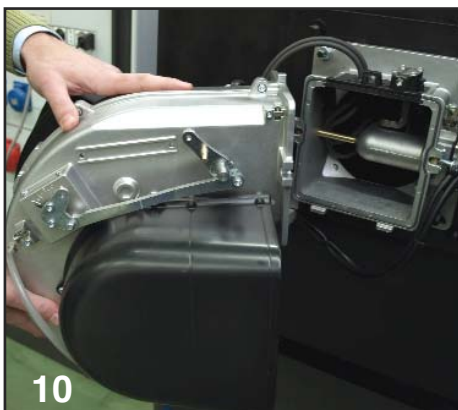
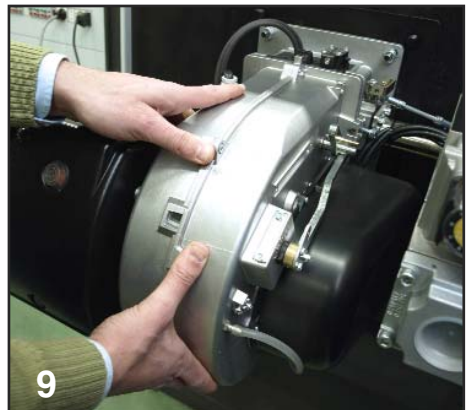
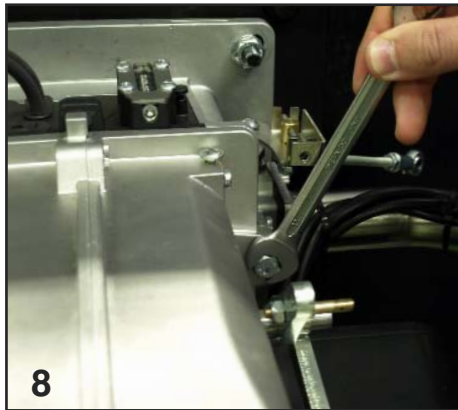
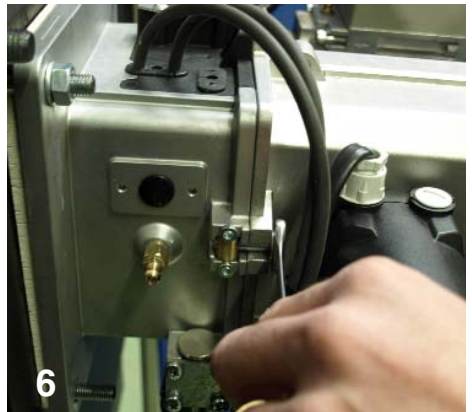
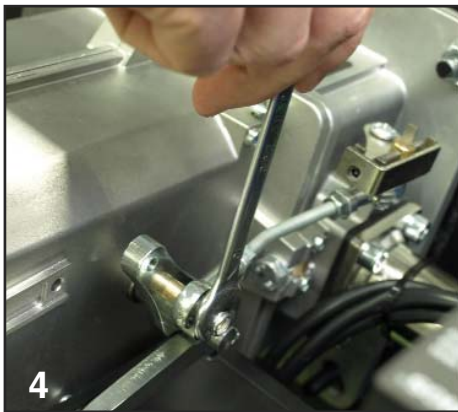
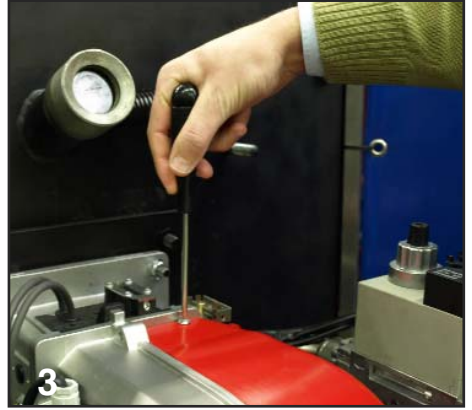
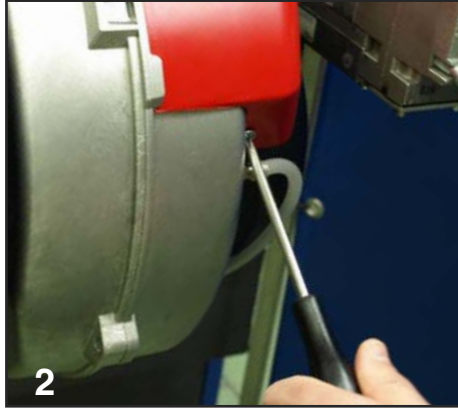
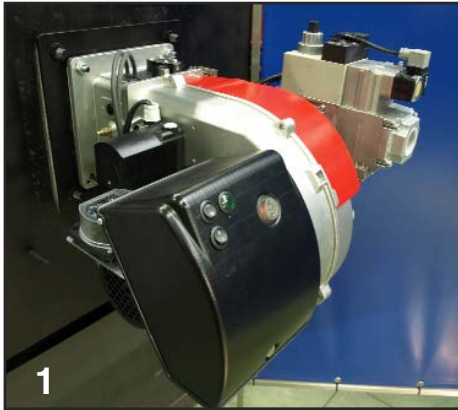
**Checking the exhaust gas temperature**

- Check the flue gas temperature at regular intervals.

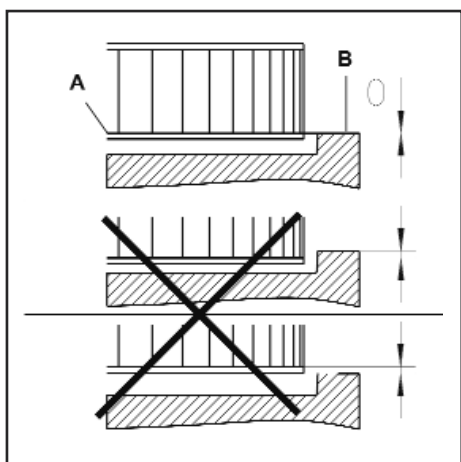
- Clean the boiler if the flue gas temperature is more than 30°C above the value measured at the time of commissioning.
- To simplify the check, use a flue gas temperature indicator.

**Removing firing head**

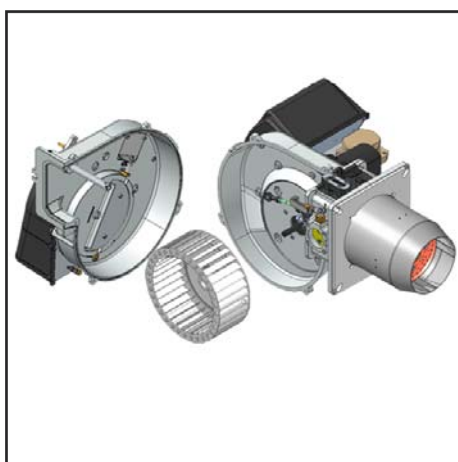
- See pictures in the order.



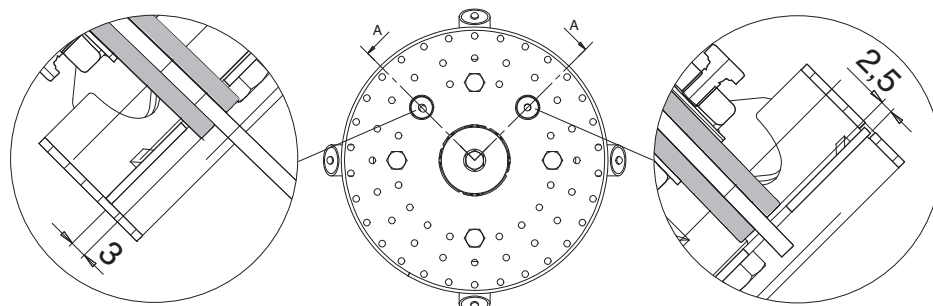
## Service - Maintenance

**Fan assembly**

Observe the positioning diagram above when replacing the motor and blower wheel. The inside flange **A** of the blower wheel must be fitted at the same level as the equipment plate **B**. Insert a straight edge between the wing of the blower wheel and set **A** and **B** to the same height, tighten the set screw on the blower wheel (maintenance position 1).

**Maintenance on the burner**

- Check gas supply components (tubes, lines) and their connections for leaks or signs of wear, replace if necessary.
- Check electrical connections and connection cables for damage, replace if necessary.
- Check gas filter, clean or replace as necessary.
- Clean fan wheel and housing and check for damage.
- Check and clean the mixing unit.
- Check ignition electrodes block, readjust or replace as necessary.
- Start burner, check flue gas data, correct burner settings if necessary.
- Check the setting for air pressure switch and gas pressostat.
- Check the gas train settings.
- Carry out an operating check.





## Service - Troubleshooting

### Fault diagnosis and repair

In the event of a malfunction, first check that the prerequisites for correct operation are fulfilled:

1. Is the system connected to the power supply?
2. Is there any gas pressure?
3. Is the gas shut-off valve open?
4. Are all control and safety devices, such as the boiler thermostat, low water level detector, limit switch, etc. adjusted correctly?

If the malfunction persists, use the following table.

It is not permitted to repair any components relevant to safety. These

components must be replaced by parts with the same order number.

### Only use original spare parts.

### NB: after each operation:

- under normal operating conditions (doors closed, hood fitted, etc.), check combustion and check the individual lines for leaks.
- Record the results in the relevant documents.

**E-BCU diagnostic tool must be used to read the faults by service personell.**



Symbol fault	Fault	Cause	Remedy
	No heat request	Thermostats defective or incorrectly adjusted	Adjust the thermostats, replace if necessary.
	Supply voltage lower than minimum allowed value.	Drop in supply voltage or power failure. Control unit malfunction	Check the cause of the fall in voltage or the power failure Replace the control unit.
	Burner starts briefly when switched on, switches off and the red LED lights up	Control unit was deliberately shut down	Unlock the unit
	Burner does not start	Air pressure switch: not in rest position Incorrect adjustment Contact is welded	Readjust the pressure switch Replace the pressure switch
	Burner does not start Low gas pressure	Insufficient gas pressure Gas pressostat wrongly set or defective	Check gas lines Clean the filter Check the gas pressostat or replace the compact gas unit
	Burner blower starts up Burner does not start	Air pressure switch: the contact does not close	Check the pressure transmitter (foreign bodies) and wiring
	Burner blower starts up Burner does not start	Flaring during pre-ventilation or pre-ignition	Check the valve Check flame monitoring
	The burner starts, the ignition switches on, then failure	No flame at the end of the safety period Gas throughput set incorrectly Faulty flame monitoring circuit No ignition arc Electrode(s) short-circuited Ignition cable damaged or defective Ignition transformer defective Automatic combustion control unit Solenoid valves do not open Valves jamming	Adjust the gas throughput Check the condition and position of the ionisation sensor in relation to earth Check the condition and connections of the ionisation circuit (cable(s) and measurement bridges) Adjust, clean or replace electrode(s) Connect or replace the cable(s) Replace the transformer Replace the control unit Check the cabling between the control unit and external components Replace the compact gas unit Replace the valves
	Flame extinguishing during operation	Air pressure switch: contact opens during startup or during operation Flame failure during operation	Adjust or replace the pressure switch Check the ionisation sensor circuit Check or replace the automatic combustion control unit

## Contenuti generali - Indice - Avvertenze generali - Dichiarazione di conformità

<b>Panoramica</b>	Dati tecnici	3
	Curve di lavoro	4
	Dimensioni d'ingombro	5
<b>Contenuti generali</b>	Indice	18
	Avvertenze generali - Dichiarazione di conformità	18
	Descrizione del bruciatore	19
<b>Funzione</b>	Funzioni generali di sicurezza	20
	Programmatore di comando e sicurezza E-BCU GAS	21
<b>Installazione</b>	Montaggio del bruciatore	22
	Connessione elettrica	23
	Controlli da eseguire prima della messa in funzione	
<b>Messa in funzione</b>	Regolazione del bruciatore	24-25
	Regolazione dei pressostati aria e gas	26
<b>Assistenza</b>	Manutenzione	27-28
	Possibili inconvenienti	29
<b>Panoramica</b>	Diagrammi di pressione gas	66-67
	Schemi elettrici	68-69
	Parti di ricambio	70-71

### Avvertenze importanti

I bruciatori MAX GAS 350-500 P sono progettati per la combustione di gas naturale e di gas propano, con basse emissioni inquinanti. I bruciatori sono conformi alla norma EN 676, dal punto di vista della progettazione e del funzionamento. Montaggio, messa in funzione e manutenzione devono essere eseguiti esclusivamente da personale tecnico autorizzato, nel rispetto delle direttive e delle prescrizioni in vigore.

### Descrizione del bruciatore

I bruciatori MAX GAS 350-500 P sono monostadio, a funzionamento completamente automatico in esecuzione monoblocco. La costruzione speciale della testa di combustione permette di ottenere una combustione con un debole tasso di ossidi di azoto e un coefficiente di rendimento elevato. I valori delle emissioni corrispondono alla classe 3, come definita da EN676 (NOx<80mg/kWh). A seconda della geometria del focolare, della carica e del sistema di combustione (caldaia a tre percorsi, caldaia a combustione inversa), si possono riscontrare valori di emissione diversi. Sono adatti per l'allestimento di tutti i generatori di calore conformi alla norma EN 303 o degli aerotermini secondo DIN 4794 o DIN 30697 nell'ambito del rispettivo range di potenza. Per ogni altro utilizzo è necessaria l'autorizzazione della Ecoflam. Al fine di garantire un funzionamento sicuro, non inquinante ed a basso consumo energetico, è necessario rispettare le seguenti norme:

#### EN 676

Bruciatore di gas ad aria soffiata

#### EN 226

Allacciamento di bruciatori di gasolio a nebulizzazione e bruciatori di gas ad aria soffiata su generatori di calore

#### EN 60335-1, -2-102

Sicurezza degli apparecchi elettrici per uso domestico, norme particolari per gli apparecchi con combustione a gas.

#### Luogo di installazione

Il bruciatore non dev'essere messo in funzione in locali in cui siano presenti vapori aggressivi (ad es. lacca per capelli, percloroetilene, tetracloruro di carbonio), notevole accumulo di polvere o forte umidità dell'aria (ad es. lavanderie). Una adeguata ventilazione deve essere fornita nel locale dell'installazione in modo da garantire le condizioni per una buona combustione. Si possono riscontrare scostamenti dovuti ad eventuali normative locali. **Si esclude qualsivoglia responsabilità per eventuali danni derivanti dalle seguenti cause:**  
 - utilizzo non conforme.  
 - montaggio difettoso e/o riparazione a cura dell'acquirente o terzi, ivi inclusa l'applicazione di elementi di origine estranea.

### Dichiarazione di conformità per bruciatori a gas

Noi,

**Ecoflam Bruciatori S.p.A.**

dichiaro sotto la nostra responsabilità, che i bruciatori a gas

### MAX GAS

sono conformi alle norme elencate:

EN 676	EN 50156-1
EN 55014-1	EN 55014-2
EN 60335-1	EN 60335-2-102
EN 61000-6-2	EN 61000-6-3

Questi prodotti vengono contrassegnati con il marchio CE nel rispetto delle direttive:

**2014/35/UE Low Voltage Directive**  
**2014/30/UE EMC Directive**  
**2006/42/EC Machine directive**  
**2011/65/EU RoHS2 directive**  
**2009/142/CEE Gas Appliance Directive**

February, 2016 / Mr. Ruben Cattaneo  
 R&D manager



### Consegna e istruzioni per l'uso

Il costruttore dell'impianto di combustione è tenuto a consegnare al gestore dell'impianto, al più tardi all'atto della consegna dello stesso, le istruzioni per l'uso e la manutenzione. Queste istruzioni devono essere appese nel locale di installazione del generatore termico in modo ben visibile. Devono essere indicati l'indirizzo ed il numero telefonico del punto di assistenza più vicino.

### Avvertenza per il gestore

L'impianto dev'essere controllato almeno una volta l'anno da un tecnico specializzato. Al fine di garantire un'esecuzione regolare, si suggerisce di stipulare un contratto per la manutenzione dell'impianto.

I bruciatori Ecoflam sono stati progettati e costruiti nel rispetto delle normative e direttive correnti. Tutti i bruciatori rispondono alle normative sulla sicurezza e sul risparmio energetico nel limite del campo di lavoro dichiarato.

La qualità del prodotto è garantita dal sistema di certificazione in base alla norma ISO 9001:2008.



## Contenuti generali - Descrizione del bruciatore

MAX GAS 350 LN P TC SGT 230-50 TW

### NOME

MAX GAS Gas

### MODELLO (Gas: kW; Gasolio: kg/h)

MAX GAS 350 350 kW

### EMISSIONI

LN Low NOx Classe 3 GAS EN676 (<80 mg/kWh)  
 - Standard Classe 2-GAS EN676 (<120 mg/kWh)

### TIPO DI FUNZIONAMENTO

P 1 stadio  
 PAB 2 stadio

### TIPO TESTA

TC Testa corta  
 TL Testa lunga

### COMBUSTIBILE

Gas Naturale  
 LPG Gas Propano

### EQUIPAGGIAMENTO

SGT Rampa gas separata

### TENSIONE DI ALIMENTAZIONE

230-50 230 Volt, 50 Hz

### APPARECCHIATURA DI CONTROLLO

TW Thermowatt

### Imballaggio

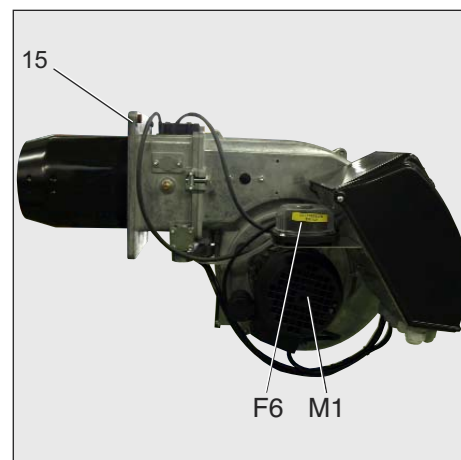
Il bruciatore è consegnato con un sistema modulare di imballo (scatole separate):

**BBCH:** Bruciatore completo con testa di combustione e flangia.

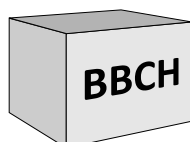
- 1 sacchetto : - manuale tecnico in multilingue.
- spina wieland.
- chiave esagonale.
- viti, dadi e rosette.

**GT:** Rampa Gas separata

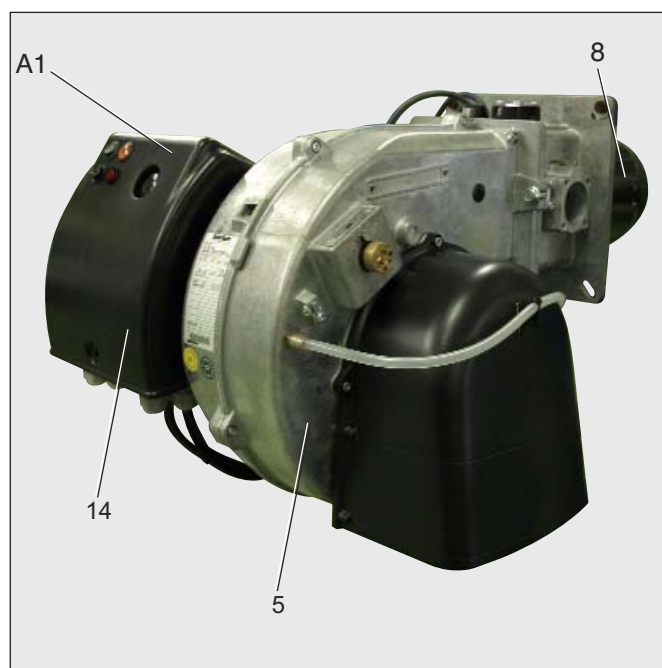
**KIT & ACS** ordinabili e consegnati separatamente



- A1 E-BCU Gas programmatore di comando e sicurezza gas.
- F6 Pressostato aria
- M1 Motore elettrico
- T1 Trasformatore d'accensione
- 3 Regolazione dell'aria nella testa di combustione.
- 5 Fusione
- 8 Boccaglio
- 15 Flangia bruciatore
- 113 Cuffia aria

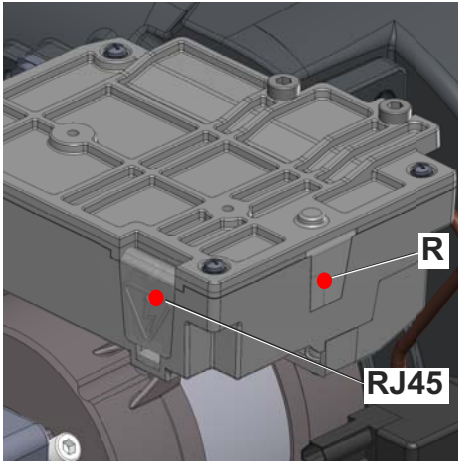


**KIT & ACS** ordinabili e consegnati separatamente





## Funzione - Programmatore di comando e sicurezza E-BCU GAS



- R** - Pulsante di reset + led segnalazione blocco.
- RJ45** - Connettore per collegamento PC (diagnostica, fornita separatamente).



KIT E-BCU  
tool diagnostico  
(non incluso)

Il programmatore di comando e sicurezza gas E-BCU GAS comanda e sorveglia il bruciatore ad aria soffiata. Grazie al programma gestito dal microprocessore, si ottengono tempi estremamente stabili, indipendentemente dalle oscillazioni della tensione di rete o della temperatura ambiente. Il programmatore di comando e sicurezza è progettato per essere sicuro in caso di sottotensione. Se la tensione di rete scende al di sotto del valore minimo richiesto (170 V), il programmatore di comando si disattiva senza alcun segnale d'errore. Non appena la tensione supera i

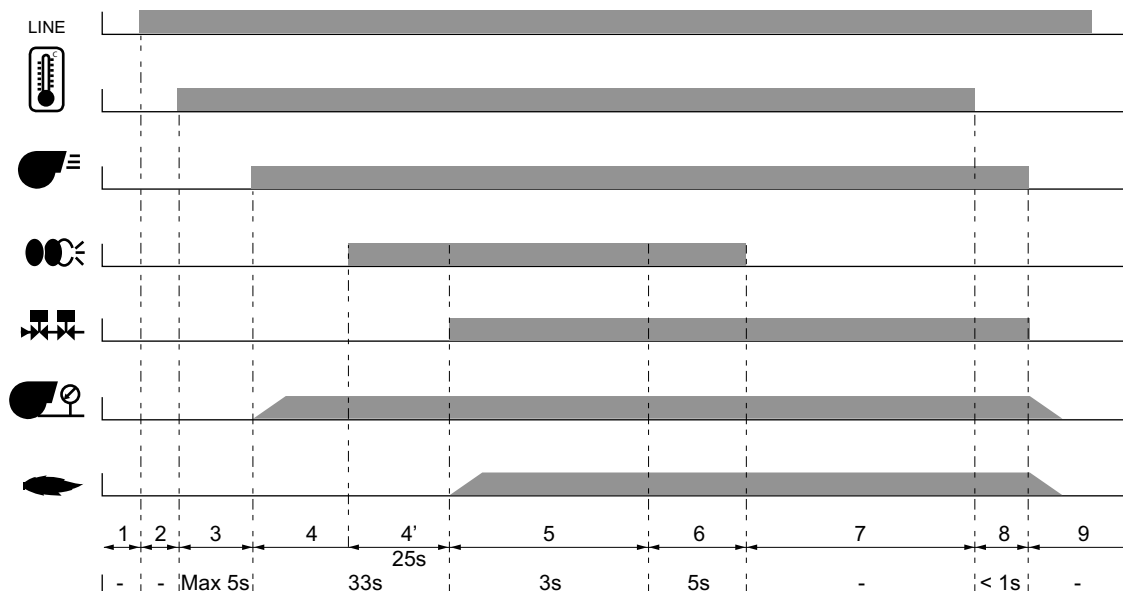
178 V, il programmatore si riavvia automaticamente.

### Blocco e sblocco

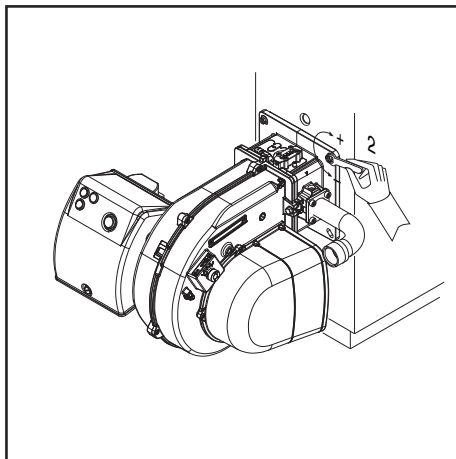
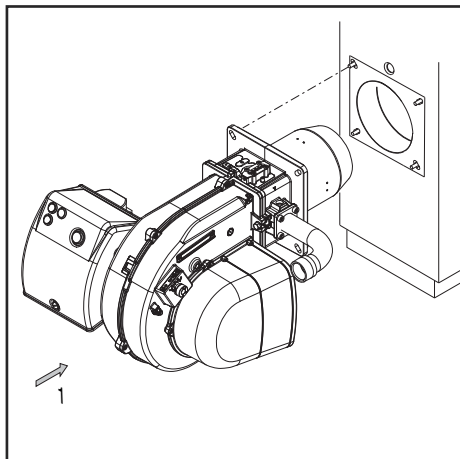
Il programmatore di comando può essere bloccato (portato in condizione di anomalia) e sbloccato (rimozione anomalia) mediante il pulsante R a condizione che nel programmatore di comando sia presente tensione di rete.

**!** Prima del montaggio o dello smontaggio del programmatore di comando l'apparecchio dev'essere a tensione nulla. Il programmatore di comando non dev'essere aperto nè riparato.

Simbolo	Descrizione
	Aspetta una richiesta di calore
	Valvole gas
	Aspetta il pressostato aria all'avvio del bruciatore
	Motore acceso
	Trasformatore di accensione acceso
	Fiamma presente



## Installazione - Montaggio del bruciatore



### Montaggio del bruciatore

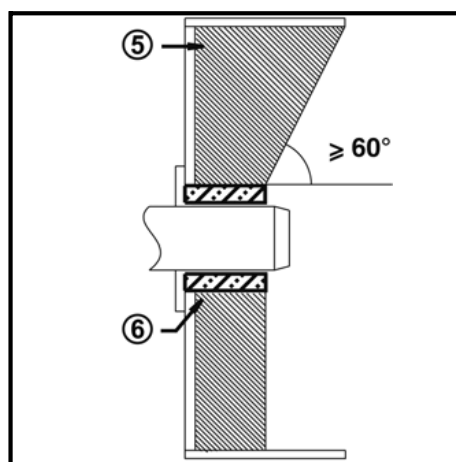
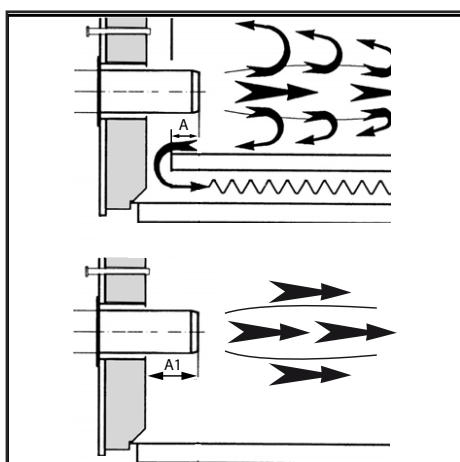
Il bruciatore viene fissato alla flangia di attacco e di conseguenza alla caldaia, in tal modo la camera di combustione viene chiusa a tenuta stagna.

### Montaggio:

- Fissare la flangia alla caldaia con le viti.

### Smontaggio:

- Togliere le viti.
- Estrarre il bruciatore dalla caldaia.



### Profondità di montaggio del boccaglio del bruciatore e rivestimento refrattario

Per i generatori senza parete anteriore raffreddata e in assenza di indicazioni contrarie da parte del costruttore della caldaia, è necessario eseguire un rivestimento in mattoni o l'isolamento secondo la figura (5) a lato.

Il rivestimento in mattoni non deve sporgere oltre il bordo anteriore del boccaglio e deve terminare con una conicità massima di 60°. Lo spazio d'aria (6) dev'essere riempito con un materiale isolante elastico, non infiammabile.

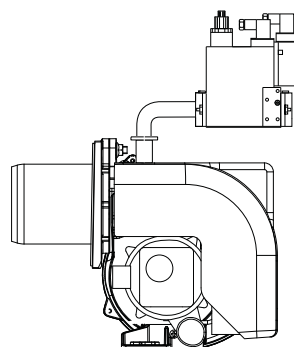
Per le caldaie deve essere rispettata la profondità di penetrazione del boccaglio, in conformità con le indicazioni fornite dal costruttore della caldaia stessa.

Caldaie ad inversione di fiamma :

A = 50-100 mm.

Caldaie a tre giri di fumo :

A1 = 50-100 mm.

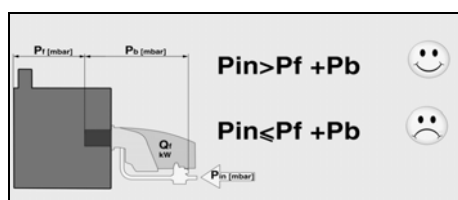


### Linea alimentazione gas

Nell'installazione della linea di alimentazione e della rampa gas bisogna osservare le prescrizioni della EN676. Si deve installare il Kit obbligatorio EN676. Ulteriori accessori dovranno essere montati dall'installatore per soddisfare eventuali normative locali.

### Prescrizioni di ordine generale per l'allacciamento del gas

- Il collegamento della rampa gas alla rete del gas deve essere effettuato esclusivamente da un tecnico esperto autorizzato.
- La sezione della tubazione del gas deve essere preparata in modo tale che la pressione di alimentazione del gas non possa scendere al di sotto del valore prescritto.
- Una valvola manuale di arresto (non fornita) deve essere montata a monte della rampa gas.



### LEGENDA

Pf: Contropressione al focolare

Pb: Pressione gas bruciatore (testa di combustione + rampa gas)

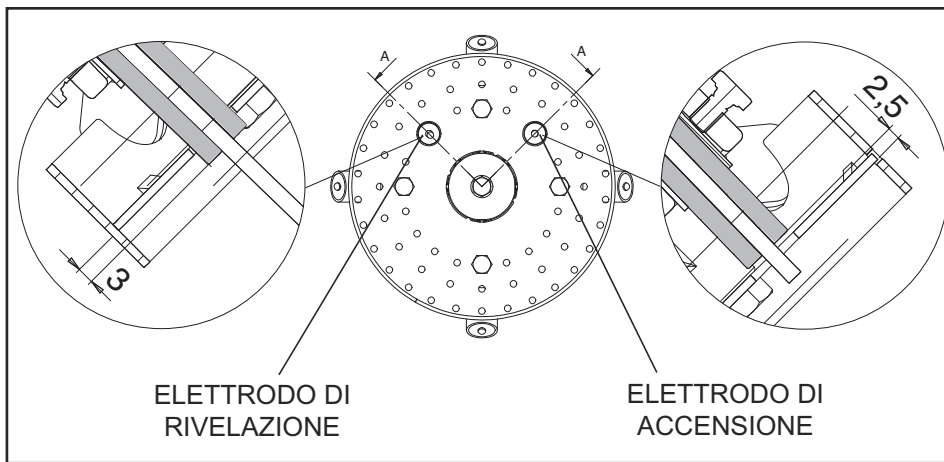
Pin: Pressione minima di alimentazione

### TRASFORMAZIONE A GPL

KITLPG-MAXGAS...

Per operare con GPL è necessario acquistare il Kit GPL e montarlo osservando le istruzioni allegate.

## Installazione - Connessione elettrica - Controlli da eseguire prima della messa in funzione



### Allacciamento elettrico

L'impianto elettrico e i lavori di allacciamento devono essere eseguiti esclusivamente da personale specializzato autorizzato.

A tal proposito devono essere rispettate le normative e le direttive vigenti.

L'impianto d'alimentazione dovrà essere dotato di un interruttore differenziale di tipo A.

**Rispettare obbligatoriamente le prescrizioni e le direttive in vigore, oltre allo schema elettrico fornito con il bruciatore!**

- Verificare che la tensione di rete corrisponda alla tensione d'esercizio indicata nello schema elettrico e targa dati. Fusibile sulla caldaia: 5 A

### Allacciamento elettrico (plug-in)

Il bruciatore deve poter essere scollegato dalla rete mediante uno dei corrispondenti dispositivi di interruzione onnipolari conformi alle norme vigenti. Bruciatori e generatori termici (caldaie) vengono collegati tra di loro mediante una connessione alla morsettiere del pannello (fig. 1).

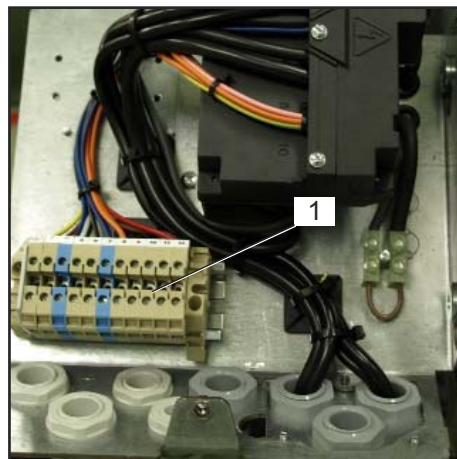
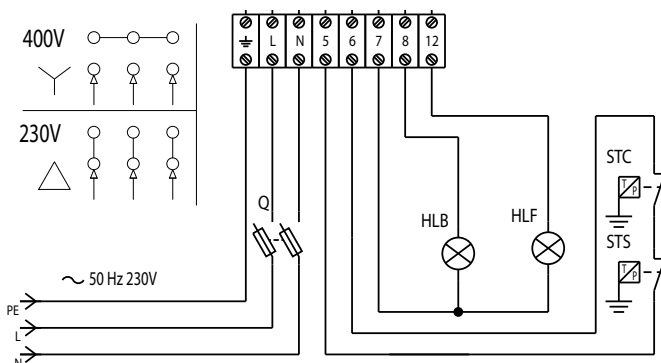
### Collegamento della rampa gas

Eseguire il collegamento della rampa gas con le prese situate sul bruciatore.

### I bruciatori sono prodotti con i collegamenti adatti all'alimentazione 400 V trifase.

I bruciatori con motori elettrici di potenza inferiore o uguale a 3 kW possono essere adattati per alimentazione a 220-230 V (seguire le istruzioni sul retro); per i motori con potenze superiori è possibile solo l'alimentazione a 380-400 V trifase.

In caso di richiesta di bruciatori diversi dallo standard sopra indicato si raccomanda di farne specifica menzione nell'ordine.



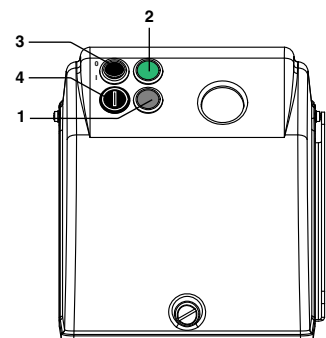
### Posizione elettrodi

Verificare sempre la posizione degli elettrodi dopo la loro sostituzione o il montaggio del KIT LPG. Una posizione errata può comportare problemi di accensione o rivelazione.

### Controlli da eseguire prima della messa in funzione

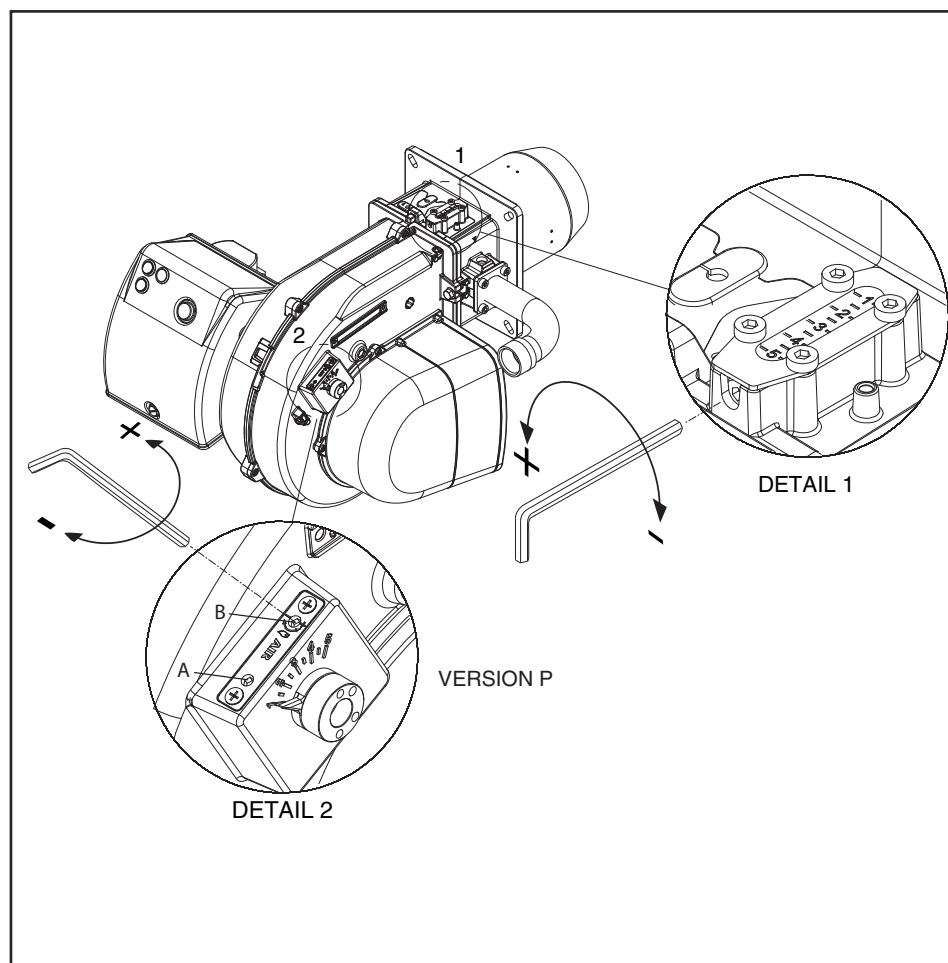
Prima della messa in funzione devono essere controllati i seguenti punti.

- Montaggio del bruciatore secondo le presenti istruzioni.
- Preimpostazione del bruciatore secondo le indicazioni riportate nella tabella di regolazione.
- Controllo degli organi di combustione
- Il generatore termico dev'essere pronto per l'uso, le prescrizioni di montaggio del generatore termico devono essere rispettate.
- Tutti gli allacciamenti elettrici devono essere eseguiti correttamente.
- Il generatore termico ed il sistema di riscaldamento sono pieni d'acqua, le pompe di circolazione sono in funzione.
- Termostati, regolatore di pressione, dispositivo di sicurezza in caso di carenza d'acqua ed altri dispositivi limitatori eventualmente installati sono correttamente collegati e funzionanti.
- Le vie di scarico dei fumi devono essere sgombrare, il dispositivo per l'aria secondaria, se presente, dev'essere in funzione.
- Dev'essere garantito un sufficiente apporto di aria pura.
- Dev'essere presente una richiesta di riscaldamento.
- Deve essere disponibile una pressione del gas sufficiente.
- I condotti per il combustibile devono essere installati a regola d'arte, devono essere sottoposti ad un controllo per garantirne l'ermeticità ed essere disaerati.
- Il punto di misurazione previsto dalla norma per il controllo dei fumi di scarico dev'essere presente, il percorso dei fumi sino al punto di misurazione dev'essere a tenuta stagna in modo che i risultati delle misurazioni non possano essere falsati.



- 1 - pulsante di sblocco
- 2 - lampada di funzionamento
- 3 - interruttore I / O
- 4 - fusibile

## Messa in funzione - Regolazione del bruciatore



### Regolazione della combustione del bruciatore monostadio.

- posizionare la serranda aria in massima apertura ( posiz. 4).
- (solo per potenze erogate particolarmente basse, se non è sufficiente la riduzione dell'aria fatta con la testa in posizione 1, ridurre l'apertura della serranda aria).
- dosare l'aria spostando la testa di combustione (figura) in base alla potenza richiesta (come esempio figura).
- dosare il gas agendo sulla regolazione della rampa gas ( vedi figura nel manuale della rampa).

### Regolazione della testa di combustione (1).

Agire sulla vite in figura:

- ruotare con una chiave esagonale fino a raggiungere il valore desiderato (indice da 1 a 5).

#### ! Pericolo di deflagrazione:

durante le operazioni di regolazione, verificare costantemente le emissioni di CO, CO<sub>2</sub> e l'indice di fumosità. In presenza di formazioni di CO modificare i valori della combustione. Il valore massimo di CO non deve superare i 50ppm.



## Messa in funzione - Regolazione del bruciatore

### Diagrammi di pressione gas riportati in appendice.

La pressione del gas minima richiesta è indicata nei diagrammi nell'appendice. Questi valori sono stati ricavati nel nostro laboratorio prove e sono utili per la messa in funzione del bruciatore, la regolazione deve poi essere verificata utilizzando un analizzatore di combustione.

### Come leggere i diagrammi e regolare il bruciatore:

- determinate la potenza richiesta.
- determinate la contropressione in camera.
- ricavare la pressione del gas minima richiesta nei diagrammi nell'appendice.

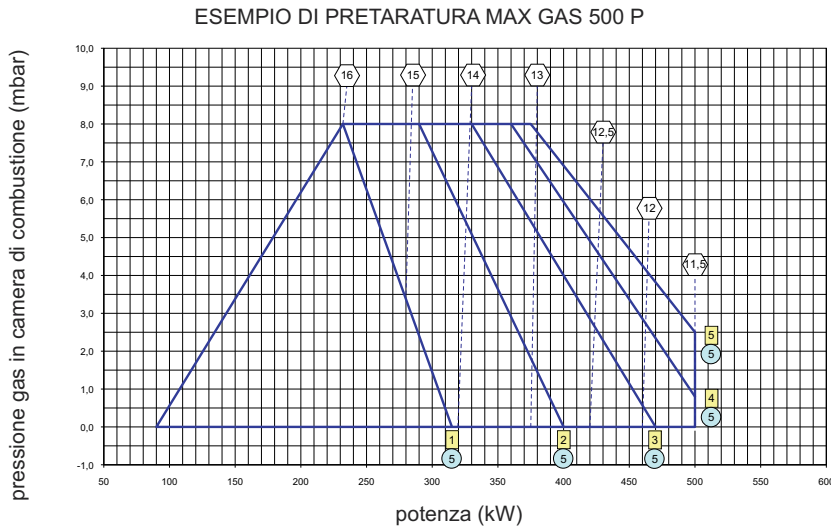
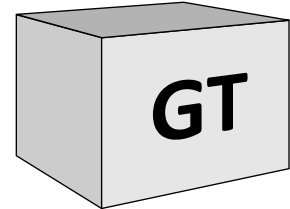
### Ottimizzazione dei valori di combustione

La taratura di fabbrica dovrà essere modificata a seconda della potenza richiesta.

I diagrammi della taratura della serranda/testa di combustione, si trovano in appendice.

### Regolazione della valvola gas

Regolate le valvole gas in base alle istruzioni del manuale della rampa gas.



**N.B.** rispettate il valore minimo della temperatura fumi specificato dal costruttore della caldaia per evitare la formazione di condensa.

⬡ pressione gas in testa misurata sulla curva (mbar)

⬜ posizione testa

⊙ posizione serranda aria

**Avvertenza :** i valori di pretaratura sono stati determinati su camere di combustione di prova EN676 in condizioni ideali, e sono utili per la prima accensione ma vanno verificati e corretti con la taratura per il singolo impianto.

### Esempio in figura :

Potenza richiesta dal generatore 380 kW. Pressione prevista in camera di combustione 3,5 mbar. Posizione testa di combustione : 2,5 (fra 2 e 3). Pressione del gas in testa: 13 mbar.

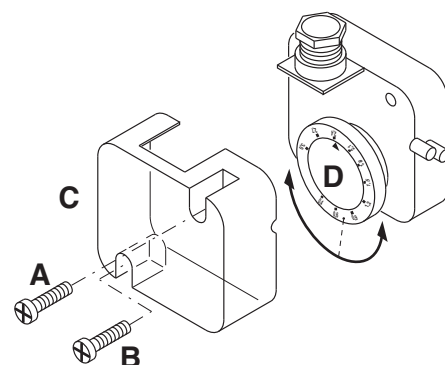
## Messa in funzione - Regolazione dei pressostati aria e gas

### Regolazione del pressostato aria

Il pressostato aria controlla la pressione dell'aria di ventilazione.

Svitare le viti A e B e rimuovere il coperchio C.

Dopo aver tarato l'aria e il gas, con il bruciatore in funzione ruotate lentamente in senso orario la ghiera D fino all'arresto di blocco del bruciatore. Leggete il valore indicato sulla ghiera e riducetelo del 15%. Rimontare il coperchio C e riavvitare le viti A e B.

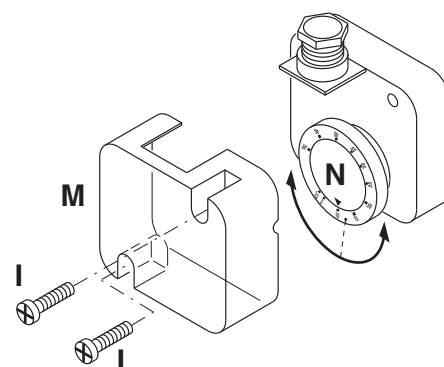


**ATTENZIONE:** Il pressostato eviterà che la pressione dell'aria non scenda sotto 85% del valore impostato, evitando così che il CO nei fumi superi 1%(10000 ppm).

### Regolazione del pressostato gas di minima

Il pressostato gas di minima ha la funzione di controllare la pressione minima del gas prima della valvola gas permettendo al bruciatore di funzionare correttamente.

Svitare le viti I e L e togliere il coperchio M. Posizionare il regolatore N ad un valore pari al 60% della pressione nominale di alimentazione gas (es.: per gas metano press. nominale =20 mbar; regolatore posizionato al valore 12 mbar; per G.P.L. pressione nominale G30-G31 30/37 mbar regolatore posizionato al valore di 18 mbar). Rimontare il coperchio M.



### Controllo funzionamento

Un controllo di sicurezza del monitoraggio fiamma dev'essere eseguito sia in occasione della prima messa in funzione, sia dopo aver eseguito revisioni o dopo un lungo periodo di inattività dell'impianto.

- Test di messa in moto con il rubinetto del gas chiuso:

l'apparecchiatura di controllo dovrà segnalare il non funzionamento per mancanza gas o andare in blocco al termine del tempo di sicurezza.

## Assistenza - Manutenzione

Gli interventi di assistenza sulla caldaia e sul bruciatore devono essere eseguiti esclusivamente da personale tecnico addestrato nel campo del riscaldamento. Al fine di garantire una regolare esecuzione degli interventi di assistenza, si consiglia al gestore dell'impianto di stipulare un contratto

di assistenza.

### Attenzione

- Prima degli interventi di manutenzione e pulizia, disinserire la corrente.
- Il bocchaglio ed i componenti della testa possono essere caldi.

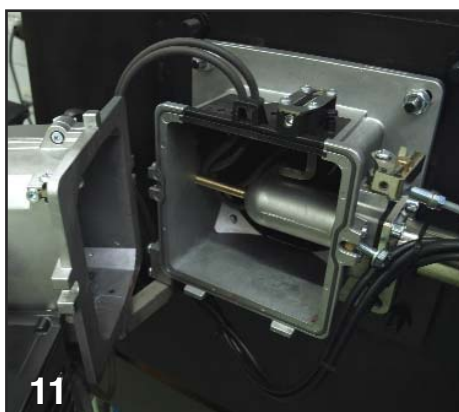
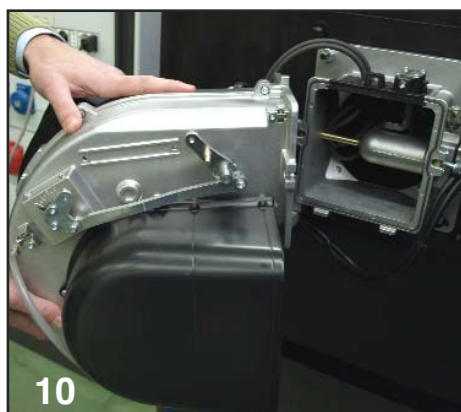
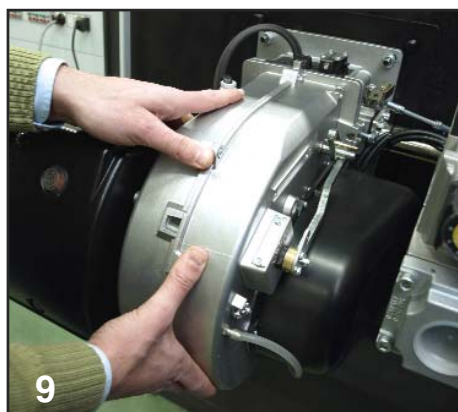
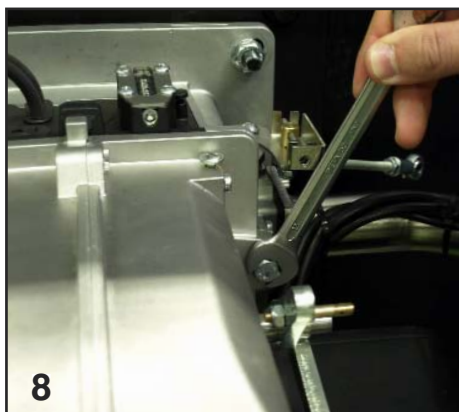
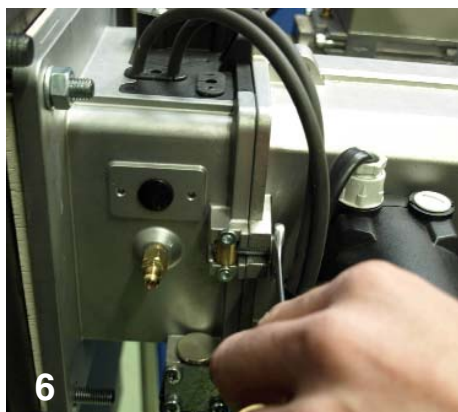
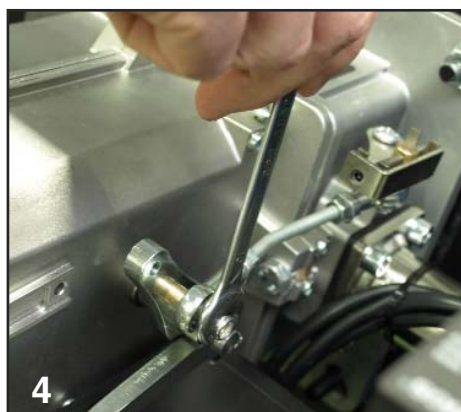
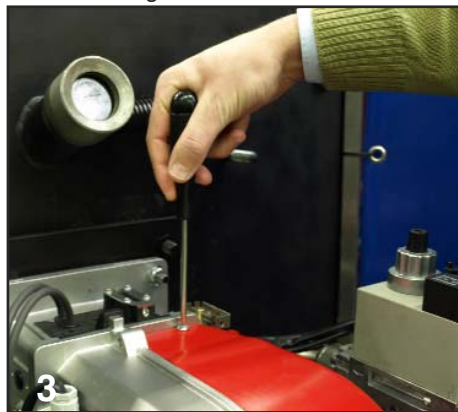
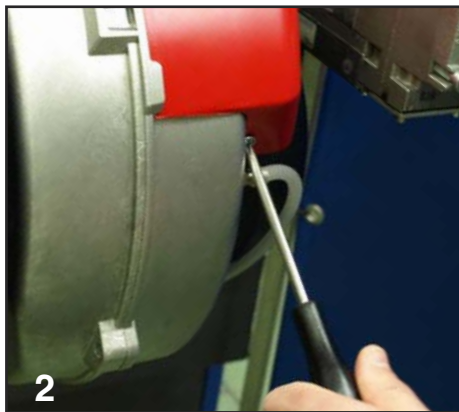
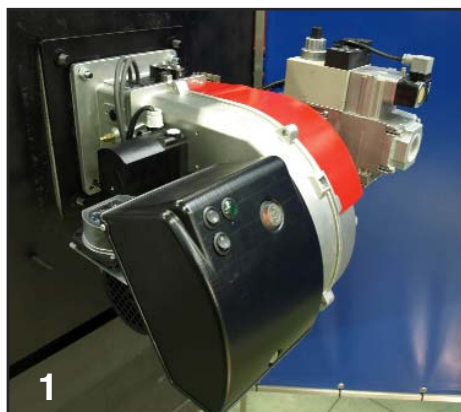
### Controllo della temperatura dei fumi di scarico

- Controllare regolarmente la temperatura dei fumi di scarico.

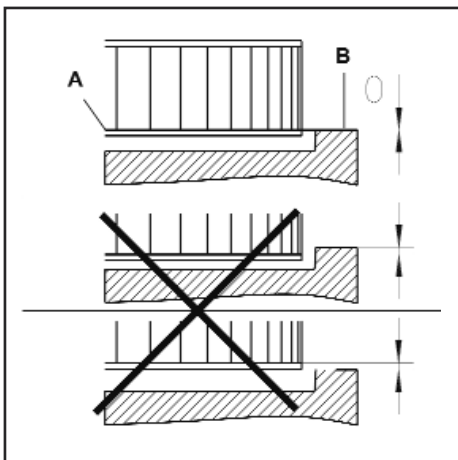
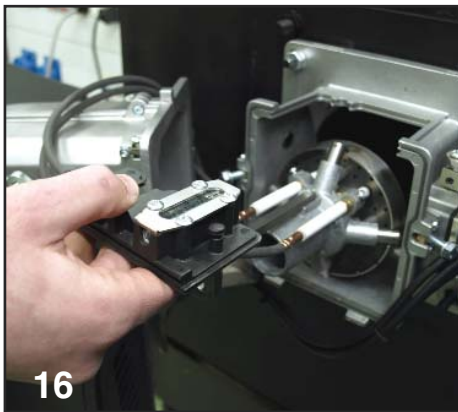
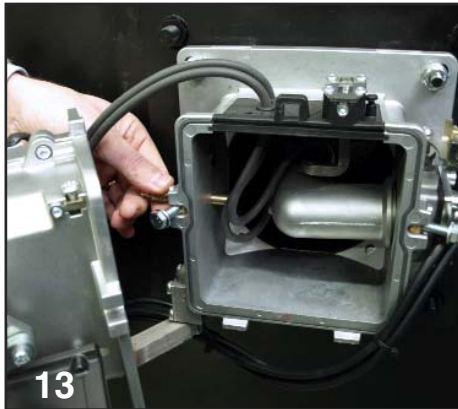
- Pulire la caldaia se la temperatura dei fumi di scarico supera il valore della messa in funzione di oltre 30°C.
- Al fine di semplificare il controllo, installare un display per la visualizzazione della temperatura dei fumi di scarico.

### Smontaggio testa

- Vedere le figure in ordine.



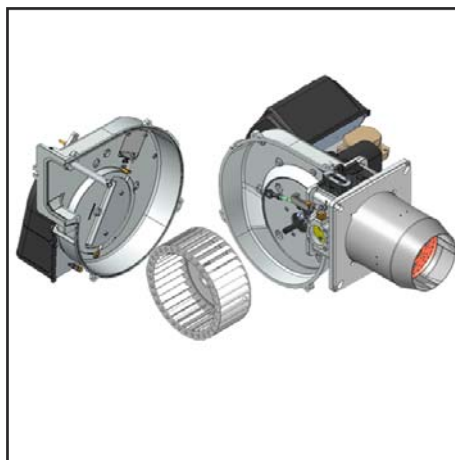
## Assistenza - Manutenzione

**Montaggio della ventola**

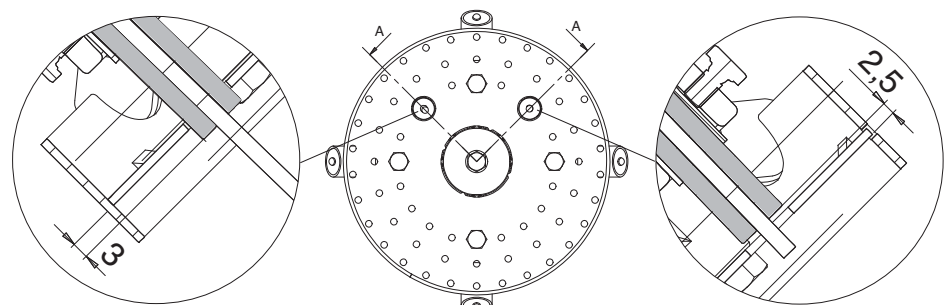
In caso di sostituzione della ventola o del motore, fare riferimento allo schema di posizionamento.

Allineare la flangia interna A della ventola con la piastra B.

Inserire un righello tra le pale della ventola e portare A e B alla stessa altezza, serrare la vite senza testa con intaglio sulla ventola (posizione di manutenzione 1).

**Interventi di manutenzione sul bruciatore**

- Controllare i componenti di alimentazione gas (tubazioni, filtri, ecc.) ed i collegamenti per individuare perdite o segni di usura ed eventualmente sostituirli.
- Controllare la presenza di danni su connessioni elettriche e cavi di raccordo ed eventualmente sostituirli.
- Controllare il filtro gas, pulire e, all'occorrenza, sostituzione se necessario.
- Pulire ventola a carter e controllare che non presentino danni.
- Controllare e pulire i dispositivi di miscelazione.
- Controllare gli elettrodi di accensione ed eventualmente regolarli o sostituirli.
- Avviare il bruciatore, controllare i dati dei fumi di scarico ed eventualmente correggere le regolazioni del bruciatore.
- Controllare le regolazioni dei pressostati aria e gas.
- Controllare la regolazione della rampa gas.
- Effettuare un controllo del funzionamento.



## Assistenza - Possibili inconvenienti

### Cause ed eliminazione delle anomalie

In presenza di anomalie, devono essere controllati i presupposti fondamentali per il corretto funzionamento dell'impianto:

1. C'è corrente?
2. C'è tutta la pressione del gas?
3. La valvola di intercettazione del gas è aperta?
4. Tutti gli apparecchi di regolazione e sicurezza come il termostato caldaia, il dispositivo di sicurezza in caso di carenza d'acqua, il finecorsa, ecc., sono impostati?

Nel caso in cui, dopo il controllo dei punti suddetti, l'anomalia persistesse, usare le seguente tabella.

I componenti di sicurezza non devono essere riparati, bensì devono essere sostituiti con componenti riportanti lo stesso codice articolo.

**Utilizzare esclusivamente pezzi originali del costruttore.**

### NB: Dopo ogni intervento controllare:

- i valori di combustione in condizioni di esercizio (porta del locale caldaia chiusa, copertura montata, ecc.).
- registrare i valori di combustione nel libretto di centrale.

**E-BCU display: l'interfaccia deve essere usato dal personale che effettua il service per poter leggere le anomalie del bruciatore.**



Simbolo	Anomalia	Causa	Rimedio
	Nessuna richiesta di calore	Termostato mal regolato o difettoso	Regolare o sostituire i termostati
	Tensione di alimentazione inferiore al limite minimo di funzionamento.	Caduta o assenza della tensione d'alimentazione. Anomalia del programmatore di comando	Verificare l'origine della riduzione o dell'interruzione di tensione. Sostituire il programmatore di comando.
	All'accensione il bruciatore si accende brevemente e poi si spegne accensione della spia di blocco	Il programmatore di comando è stato intenzionalmente bloccato	Sbloccare nuovamente il programmatore di comando.
	Il bruciatore non parte	Pressostato aria : posizione di funzionamento, regolazione sbagliata contatto saldato.	Regolare il pressostato Sostituire il pressostato
	Il bruciatore non parte Pressione del gas bassa	Pressione del gas insufficiente Errata regolazione del pressostato gas.	Controllare la linea gas Pulire il filtro gas Controllare/ sostituire il pressostato gas o la valvola gas
	Il motore ventilazione parte Il bruciatore non parte	Pressostato aria : il contatto non si chiude.	Controllare il trasduttore di pressione (corpi estranei) e i collegamenti
	Il motore ventilazione parte Il bruciatore non parte	Luce parassita durante la preventilazione o la preaccensione.	Controllare la valvola Controllare la fiamma
	Il bruciatore parte, l'elettrodo accende, ma si verifica un guasto	<ul style="list-style-type: none"> <li>- Nessuna fiamma dopo il tempo di sicurezza</li> <li>- Portata del gas non regolata correttamente</li> <li>- Circuito rivelazione fiamma difettoso</li> <li>- Nessun arco di accensione</li> <li>- Elettrodo(i) in cortocircuito</li> <li>- Cavo di accensione guasto o difettoso</li> <li>- Trasformatore di accensione difettoso</li> <li>- Apparecchiatura di controllo difettosa</li> <li>- Le valvole gas non aprono</li> <li>- Valvole bloccate</li> </ul>	<ul style="list-style-type: none"> <li>- Regolare la portata gas</li> <li>- Controllare la posizione dell'elettrodo di rivelazione rispetto al collegamento a terra</li> <li>- Controllare lo stato e i collegamenti del circuito di rivelazione (cavo(i) e ponti di misurazione)</li> <li>- Regolare, pulire o sostituire gli elettrodi</li> <li>- Collegare o sostituire i cavi</li> <li>- Sostituire il trasformatore</li> <li>- Sostituire l'apparecchiatura</li> <li>- Controllare il cablaggio tra l'apparecchiatura e i componenti esterni</li> <li>- Sostituire la rampa gas</li> <li>- Sostituire le valvole</li> </ul>
	Spegnimento della fiamma con impianto in funzione	<ul style="list-style-type: none"> <li>- Pressostato aria : il contatto si apre durante la partenza o il funzionamento</li> <li>- La fiamma si spegne quando l'impianto è in funzione</li> </ul>	Regolare o sostituire il pressostato Controllare l'elettrodo di rivelazione Controllare o sostituire l'apparecchiatura

## Contenus généraux - Sommaire - Notices générales - Déclaration de conformité

<b>Vue d'ensemble</b>	Données techniques	3
	Domaine de fonctionnement	4
	Dimensions	5
<b>Contenus généraux</b>	Sommaire	30
	Notices générales - Déclaration de conformité	30
	Description du brûleur	31
<b>Function</b>	Fonctions générales de sécurité	32
	Coffret de commande et de sécurité E-BCU GAS	33
<b>Installation</b>	Montage du brûleur	34
	Raccordement électrique	35
	Checks before commissioning	35
<b>Start up</b>	Réglage du brûleur	36-37
	Réglage des pressostats d'air et de gaz	38
<b>Maintenance</b>	Entretien	39-40
	Problèmes possibles	41
<b>Vue d'ensemble</b>	Diagrammes de pression de gaz	66-67
	Schémas électrique	68-69
	Pièces de rechange	70-71

### Mise en garde

Les brûleurs MAX GAS 350-500 P sont conçus pour la combustion de gaz naturel et de gaz propane, avec faibles rejets polluants. D'un point de vue conception et fonctionnement, les brûleurs répondent à la norme EN 676. Le montage, la mise en route et l'entretien ne peuvent être exécutés que par des spécialistes autorisés, dans le respect des directives et prescriptions en vigueur.

### Description du brûleur

Le brûleur MAX GAS 350-500 P est monostade, à fonctionnement complètement automatique en exécution monobloc. La construction spéciale de la tête de combustion permet une combustion à un faible taux d'oxyde d'azote et avec un coefficient de rendement élevé. Les valeurs des émissions correspondent à la classe 3, définie par EN676 (NOx<80mg/kWh). Selon la géométrie du foyer, la charge du foyer et le système de combustion (chaudière à trois parcours, chaudière à foyer borgne), des valeurs d'émission différentes peuvent en résulter. Ils conviennent pour l'équipement de tous les générateurs de chaleur conformes à la norme EN 303, ou de générateurs d'air chaud selon la norme DIN 4794 ou DIN 30697, dans leur plage de puissances. Toute autre utilisation doit faire l'objet d'une demande d'autorisation auprès d'Ecoflam. Pour un fonctionnement en toute sécurité, respectueux de l'environnement et

économique en énergie, il faut prendre en considération les normes suivantes:

#### EN 676

Brûleurs gaz à air soufflé

#### EN 226

Raccordement de brûleurs fuel à nébulisation et brûleurs gaz à air soufflé à un générateur de chaleur.

#### EN 60335-1, -2-102

Sécurité d'appareils électriques pour usage domestique, règles particulières pour les appareils à combustion au gaz.

#### Lieu d'installation

Le brûleur ne doit pas être mis en service dans des locaux exposés à des vapeurs agressives (p. ex. laque pour cheveux, tétrachloréthylène, tétrachlorure de carbone), poussières importantes ou humidité de l'air élevée (p. ex. dans des buanderies).

Le local d'installation doit être correctement aéré de manière à garantir les conditions pour une bonne combustion. Les dispositions locales peuvent contenir des prescriptions différentes.

#### Les dommages résultant des causes suivantes ne pourront pas être couverts par la garantie:

- utilisation inappropriée.
- installation et/ou remise en état erronées par l'acheteur ou par un tiers, y compris la mise en place de pièces d'autres origines.

### Déclaration de conformité pour brûleurs de gaz

Nous,

### Ecoflam Bruciatori S.p.A.

déclarons sous notre responsabilité, que les brûleurs de gaz

### MAX GAS

sont en conformité avec les normes suivantes:

EN 676	EN 50156-1
EN 55014-1	EN 55014-2
EN 60335-1	EN 60335-2-102
EN 61000-6-2	EN 61000-6-3

Ces produits sont marqués avec la marque CE dans le respect des directives:

2014/35/UE Low Voltage Directive  
2014/30/UE EMC Directive  
2006/42/EC Machine directive  
2011/65/EU RoHS2 directive  
2009/142/CEE Gas Appliance Directive

February, 2016 / Mr. Ruben Cattaneo  
R&D manager



### Remise de l'installation et conseils d'utilisation

L'artisan qui réalise l'installation doit donner à l'utilisateur, au plus tard au moment de la réception de l'installation, les notices d'utilisation et d'entretien. Elles doivent être conservées bien visibles dans la chaufferie. L'adresse et le numéro d'appel de la station-service la plus proche doivent y être inscrits.

### Conseils à l'utilisateur

L'installation doit être vérifiée au moins une fois par an par un spécialiste. Pour en garantir l'exécution régulière, la conclusion d'un contrat d'entretien est fortement conseillée. contract to guarantee regular servicing.

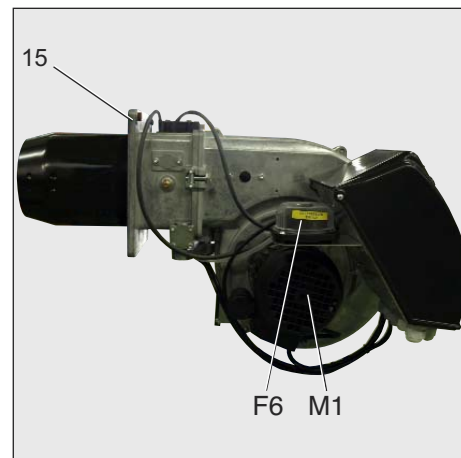
Les brûleurs Ecoflam ont été conçus et construits dans le respect des réglementations et des directives actuelles. Tous les brûleurs sont conformes aux réglementations relatives à la sécurité et aux économies d'énergie dans la limite du domaine d'utilisation déclaré. La qualité du produit est garantie par le système de certification conformément à la norme ISO 9001:2008.



## Contenus généraux - Description du brûleur

MAX GAS 350 LN P TC SGT 230-50 TW

<b>NOM</b>	
MAX GAS	Gas
<b>MODÈLE (Gaz: kW; fioul domestique: kg/h)</b>	
MAX GAS 350	350 kW
<b>ÉMISSIONS</b>	
LN	Low NOx Classe 3 GAS EN676 (<80 mg/kWh)
-	Standard Classe 2-GAS EN676 (<120 mg/kWh)
<b>TYPE DE FONCTIONNEMENT</b>	
P	1 allure
PAB	2 allure
<b>TYPE TETE</b>	
TC	Tête courte
TL	Tête longue
<b>COMBUSTIBLE</b>	
	Natural gas
LPG	LPG
<b>ÉQUIPEMENT</b>	
SGT	Rampe gaz séparée
<b>TENSION D'ALIMENTATION</b>	
230-50	230 Volt, 50 Hz
<b>COFFRET DE SECURITE</b>	
TW	Thermowatt



- A1 E-BCU Gas Coffret de commande et de sécurité gaz.
- F6 Pressostat air
- M1 Moteur électrique
- T1 Transformateur d'allumage
- 3 Régulation de l'air dans la tête de combustion.
- 5 Fusion
- 8 Gueulard
- 15 Bride du brûleur
- 113 Volet d'air

### Emballage

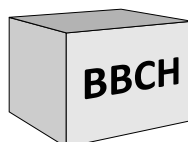
Le brûleur est livré avec un système modulaire d'emballage (boîtes séparées):

**BBCH:** Brûleur avec une tête de combustion et une bride.

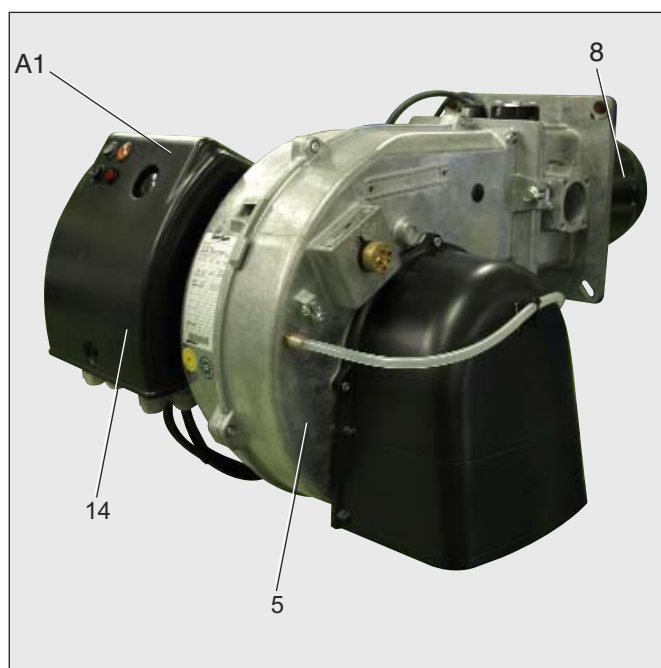
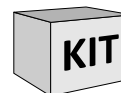
- 1 sachet :
  - manuel technicien dans multilangue.
  - fiche wieland.
  - clé six-pans.
  - vis, écrous et rondelles.

**GT:** Rampe gaz séparée

**KIT & ACS** commandés et livrés séparément



**KIT & ACS** commandés et livrés séparément



## Fonction - Fonctions générales de sécurité

### Description du fonctionnement

Lors de la première mise sous tension, après une coupure de tension ainsi qu'une mise en sécurité, après une coupure de gaz ou après un arrêt de 24 heures commence un temps de pré ventilation de 24 sec.

### Pendant le temps de préventilation:

- la pression d'air est surveillée.
- contrôle de la présence d'éventuels signaux de flamme anormaux.

### Après l'écoulement du temps de préventilation

- l'allumeur est mis en circuit.
- l'électrovanne principale et de sécurité est ouverte.
- démarrage du brûleur.

### Surveillance

La flamme est surveillée par une sonde d'ionisation. La sonde est montée de façon isolée sur la tête gaz et est dirigée à travers le déflecteur dans la zone de la flamme. La sonde ne doit pas avoir de contact électrique avec des pièces mises

à la terre. Si un court-circuit apparaît entre la sonde et la masse du brûleur, le brûleur se met en défaut. En fonctionnement, une zone ionisée naît dans la flamme gaz à travers laquelle un courant redressé circule de la sonde vers le tube du brûleur. Le courant d'ionisation doit être supérieur à 1,5 µA.

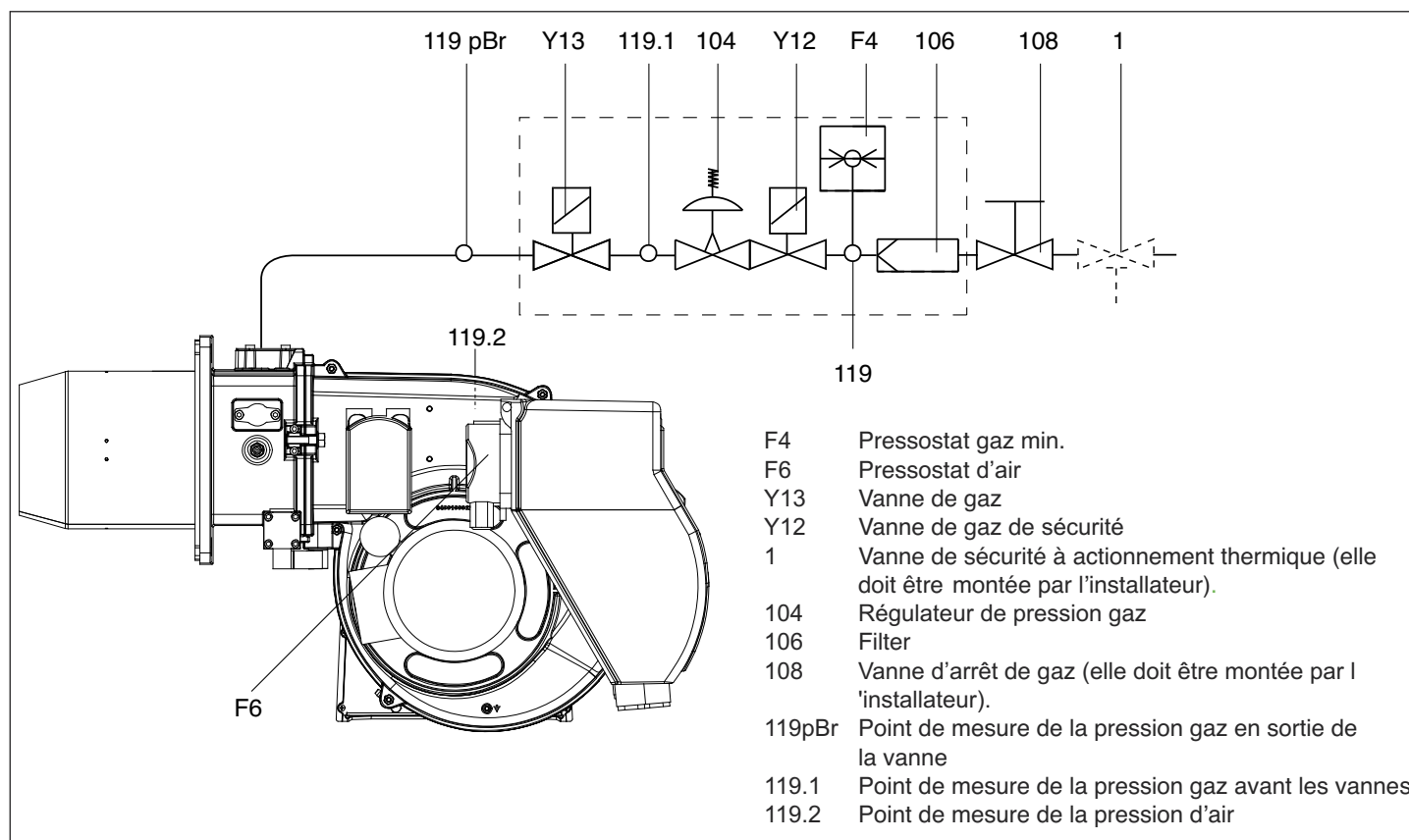
### Fonctions de sécurité

- Si aucune flamme ne se forme au démarrage du brûleur (libération du gaz), le brûleur est coupé après écoulement du temps de sécurité de 3 secondes max., la vanne gaz se ferme.
- En cas de défaillance de la flamme pendant le fonctionnement, l'alimentation en gaz est interrompue en l'espace d'une seconde. Un nouveau démarrage est lancé. Si le brûleur démarre, le cycle de fonctionnement se poursuit. Autrement il s'ensuit une mise en sécurité.
- En cas de manque d'air pendant la préventilation ou le fonctionnement, une mise en sécurité intervient.
- En cas de manque de gaz, le brûleur ne se met pas en fonctionnement et/ ou

s'arrête. Il s'ensuit un temps d'attente de 2 minutes. Ensuite une nouvelle tentative de démarrage se produit. S'il n'y a toujours pas de pression de gaz, s'écoule un nouveau temps d'attente de 2 minutes. Le temps d'attente ne peut alors être annulé que par une mise hors tension du brûleur. Temps d'attente : 3 x 2 min., puis 1 heure.

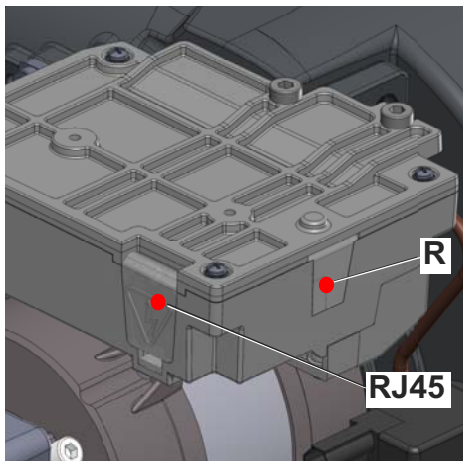
### Lors de l'arrêt de régulation

- Le thermostat de régulation interrompt la demande de chauffe.
- Les vannes gaz se ferment.
- La flamme s'éteint.
- Le moteur de ventilation s'arrête.
- Le brûleur est prêt à fonctionner.





## Fonction - Coffret de commande et de sécurité E-BCU GAS



- R** - bouton de réarmement + LED de signalisation du blocage.
- RJ45** - Connecteur pour connexion PC (diagnostic, fourni séparément)



Kit E-BCU  
Outils de diagnostic  
(non inclus)

Le coffret de commande et de sécurité fioul domestique E-BCU GAS commande et surveille le brûleur à air soufflé. Grâce à la commande du déroulement du programme par microprocesseur, on aboutit à des temps très stables, indépendamment des variations de la tension d'alimentation électrique ou de la température ambiante. Le coffret est conçu avec une protection contre la baisse de la tension électrique. Lorsque la tension d'alimentation électrique se situe en dessous de la valeur minimale (170 V) demandée, le coffret de sécurité s'arrête sans émettre de signal de défaut. Dès que la tension dépasse 178 V, le coffret de

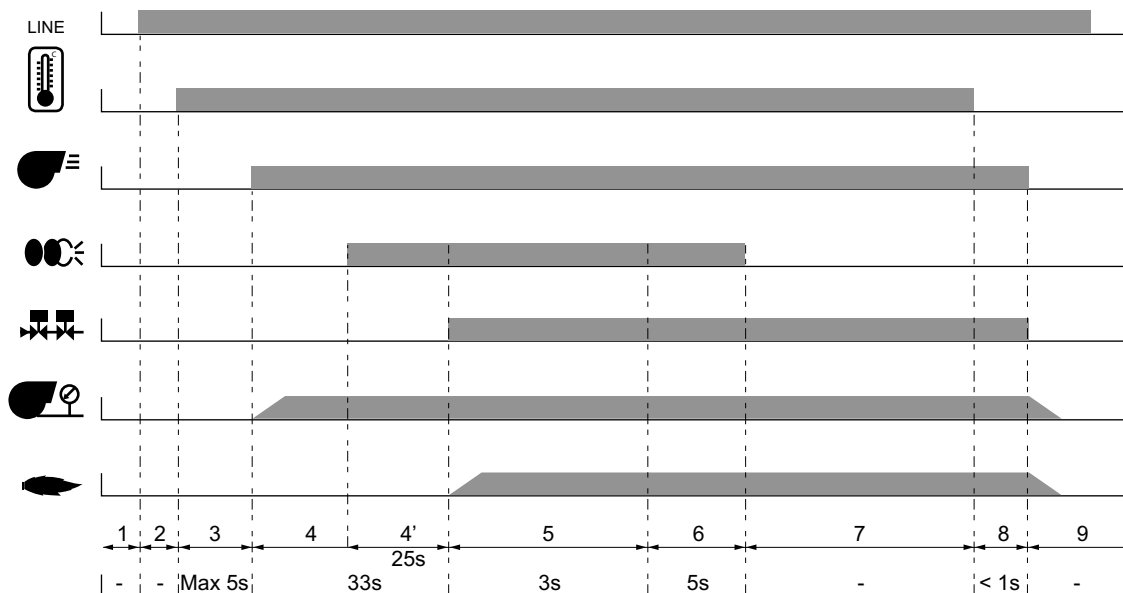
sécurité redémarre automatiquement.

### Verrouillage et déverrouillage

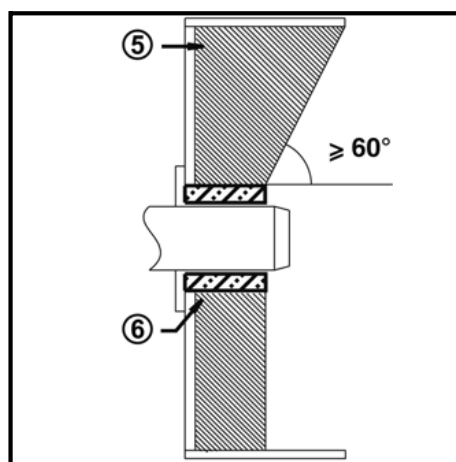
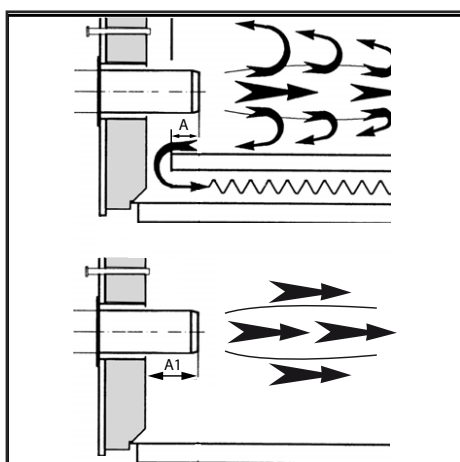
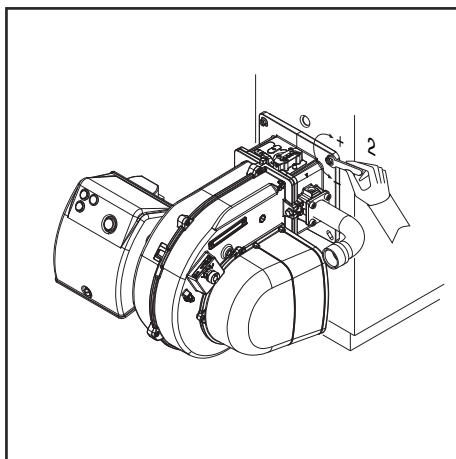
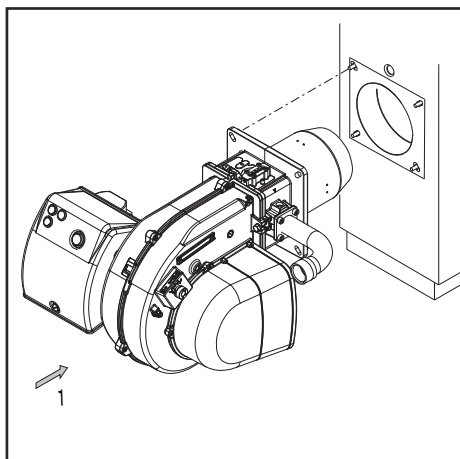
Le coffret de sécurité peut être verrouillé (défaut forcé) et déverrouillé (défaut acquité) au moyen du bouton R à la condition que le coffret soit sous tension.

**!** Avant le montage ou le démontage du coffret de sécurité, l'appareil doit être mis hors tension. Il ne faut ni ouvrir ni réparer le coffret de sécurité.

Symbole	Description
	Attente demande de chaleur chaudière
	Vanne du gaz
	Attente manostat air au démarrage
	Alimentation du moteur
	Mise sous tension de l'allumeur
	Flamme présente



## Installation - Montage du brûleur

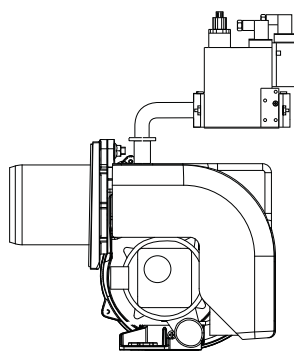


### Ligne d'alimentation en gaz

Dans l'installation de la ligne d'alimentation et de la rampe de gaz, il y a lieu de respecter les consignes de l'EN676. Le Kit obligatoire EN676 doit être installé. D'autres accessoires devront être montés par l'installateur pour satisfaire à d'éventuelles réglementations locales.

### Prescriptions d'ordre général pour le raccordement gaz

- Le raccordement de la rampe gaz au réseau de gaz ne peut être réalisé que par un technicien spécialiste agréé.
- La section de la tuyauterie de gaz doit être réalisée de telle sorte que la pression d'alimentation gaz ne tombe pas en dessous de la valeur prescrite.
- Une vanne manuelle d'arrêt (non fournie) doit être montée en amont de la rampe gaz.



### Montage du brûleur

Le brûleur est fixé à la bride de fixation et, par conséquent, à la chaudière ; de cette manière, la chambre de combustion est fermée hermétiquement.

### Montage:

- Fixer la bride de fixation à la chaudière au moyen des vis.

### Démontage :

- Desserrer le vis.
- Extraire le brûleur de la chaudière.

### Profondeur de montage du tube du brûleur et garnissage en maçonnerie

Pour les générateurs sans paroi avant refroidie et en l'absence d'indications contraires par le constructeur de la chaudière, il est nécessaire de réaliser un garnissage en maçonnerie ou une isolation (5) selon la figure ci-contre. Le garnissage en maçonnerie ne doit pas déborder la bordure avant du gueulard et sa dépouille conique ne doit pas dépasser 60°. L'interstice d'air (6) doit être comblé avec un matériau d'isolation élastique et ininflammable.

Dans les chaudières, la profondeur de pénétration du tube de flamme doit être respectée tout en tenant compte des indications du constructeur de la chaudière.

Chaudières à foyer borgne :

A = 50-100 mm.

Chaudières à trois passes :

A1 = 50-100 mm.

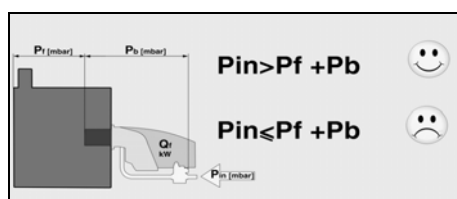
### Mené des fumées

Au fin d'éviter du bruit non désirées, il est recommandé d'éviter les pièces de raccordement à angles droits lors du raccordement de la chaudière à la cheminée.

### TRANSFORMATION AU GPL

KITLPG-MAXGAS...

Pour travailler avec le GPL, il faut acheter le kit GPL et le monter en respectant les instructions ci-jointes.



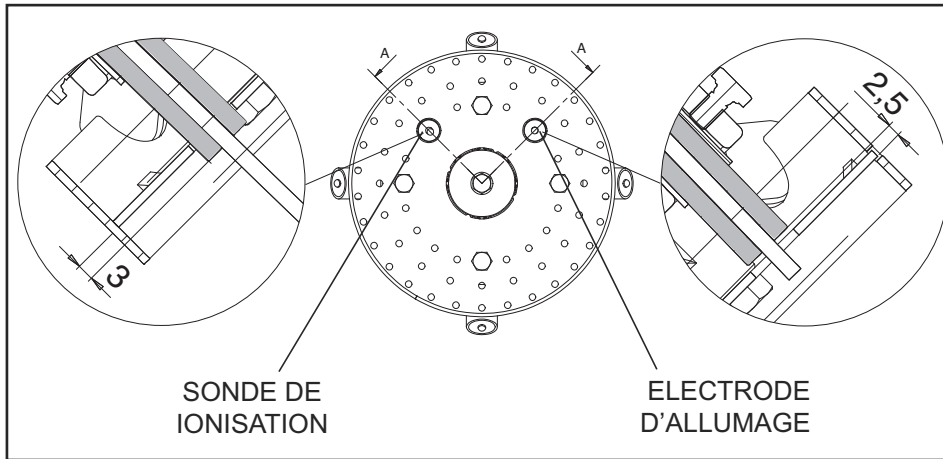
### LÉGENDE

Pf: contre-pression dans la chambre de combustion.

Pb: pression du brûleur (tête de combustion + rampe gaz complète)

Pin: pression d'entrée gaz minimale

## Installation - Raccordement électrique - Contrôles avant la mise en service



### Position électrodes

Toujours vérifier la position des électrodes après leur remplacement ou le montage du KIT LPG. Une position erronée des électrodes pourrait causer des problèmes d'allumage ou de révélation.

### Contrôles avant la mise en service

Il convient de contrôler les points suivants avant la première mise en service.

- Montage du brûleur conformément aux présentes instructions.
- Préréglage du brûleur conformément aux indications du tableau de réglage.
- Réglage des organes de combustion.
- Le générateur de chaleur doit être prêt à fonctionner, les prescriptions d'exploitation du générateur de chaleur doivent être respectées.
- Toutes les connexions électriques doivent être réalisées correctement.
- Le générateur de chaleur et le Les données de réglage ci-dessus sont des réglages de base. Les données de réglage d'usine sont encadrées en gras et sur fond gris. Dans un cas normal, ces réglages permettent la mise en service du brûleur. Vérifier en tout état de cause soigneusement les valeurs de réglage. En général, en fonction de l'installation, des corrections doivent être apportées.
- Le système de chauffage sont remplis d'eau, les pompes de circulation sont en service.
- Le régulateur de température, le régulateur de pression, la protection contre le manque d'eau et les autres dispositifs de limitation et de sécurité éventuellement présents sont raccordés et opérationnels.
- La cheminée doit être dégagée et le dispositif d'air additionnel, si présent, en fonctionnement.
- Un apport d'air frais suffisant doit être garanti.
- La demande de chaleur doit être présente.
- Une pression de gaz suffisante doit être disponible.
- Les conduites de combustible doivent être montées dans les règles de l'art, leur étanchéité contrôlée et être purgées.
- Un point de mesure conforme aux normes doit être présent, le conduit de fumée jusqu'au point de mesure doit être étanche, de telle manière que les résultats de mesure ne soient pas faussés.

### Raccordement électrique

L'installation électrique et les travaux de raccordement doivent être réalisés exclusivement par le personnel qualifié et autorisé.

Les prescriptions et directives en vigueur doivent être respectées.

L'installation d'alimentation devra être munie d'un interrupteur différentiel de type A.

### Respecter obligatoirement les prescriptions et les directives en vigueur, outre le schéma électrique fourni avec le brûleur!

- Vérifier si la tension électrique d'alimentation correspond à la tension indiquée dans le schéma électrique et sur la plaque signalétique.
- Fusible sur la chaudière: 5 A

### Raccordement électrique par connecteurs

Le brûleur doit pouvoir être déconnecté du réseau à l'aide d'un dispositif de coupure omnipolaire conforme aux normes en vigueur. Le brûleur et le générateur de chaleur (chaudière) sont reliés entre eux par au bornier (fig.1).

### Raccordement de la rampe de gaz

Raccorder la rampe de gaz aux prises situées sur le brûleur.

### Les brûleurs sont fabriqués avec d'appropriées connexions d'alimentation 400 V triphasées.

Les brûleurs équipés de moteurs électriques d'une puissance égale ou inférieure à 3 kW peuvent être adaptés à l'alimentation 220-230 V (suivre les instructions au verso); les moteurs de puissance supérieure peuvent seulement fonctionner 380-400 V phase.

En cas de demande de brûleurs avec des standards différents par rapport à ceux dessus mentionnés, il est recommandé d'en faire mention spécifique dans la commande.

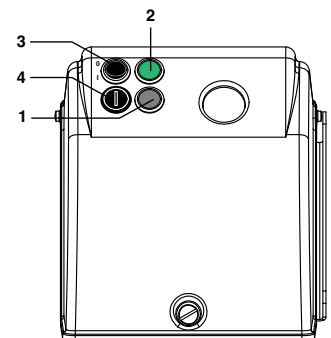
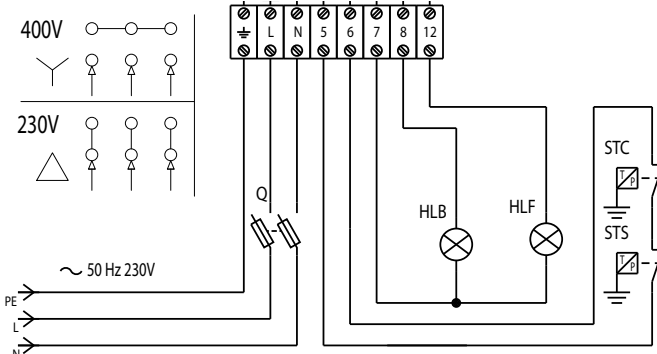
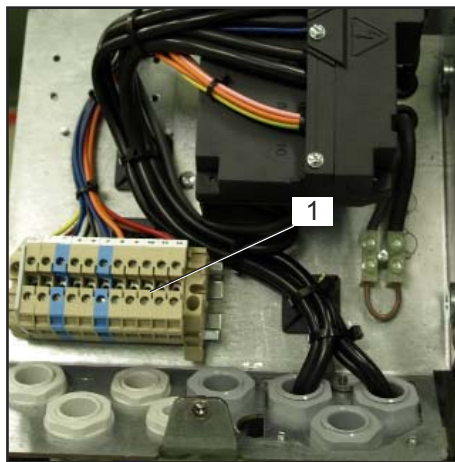
### Instructions: adapter les moteur électriques d'une puissance égale ou inférieure à 3 kW à l'alimentation 220-230 V

Il est possible de modifier la tension du brûleur de la manière suivante:

1. changer le lien à l'intérieur de la boîte du moteur électrique: d'étoile en triangle (voir image);
2. modifier le réglage du relais thermique, se référant aux valeurs d'absorption indiquées sur la plaque signalétique du moteur. Si nécessaire, remplacer le relais thermique avec un autre d'échelle appropriée.

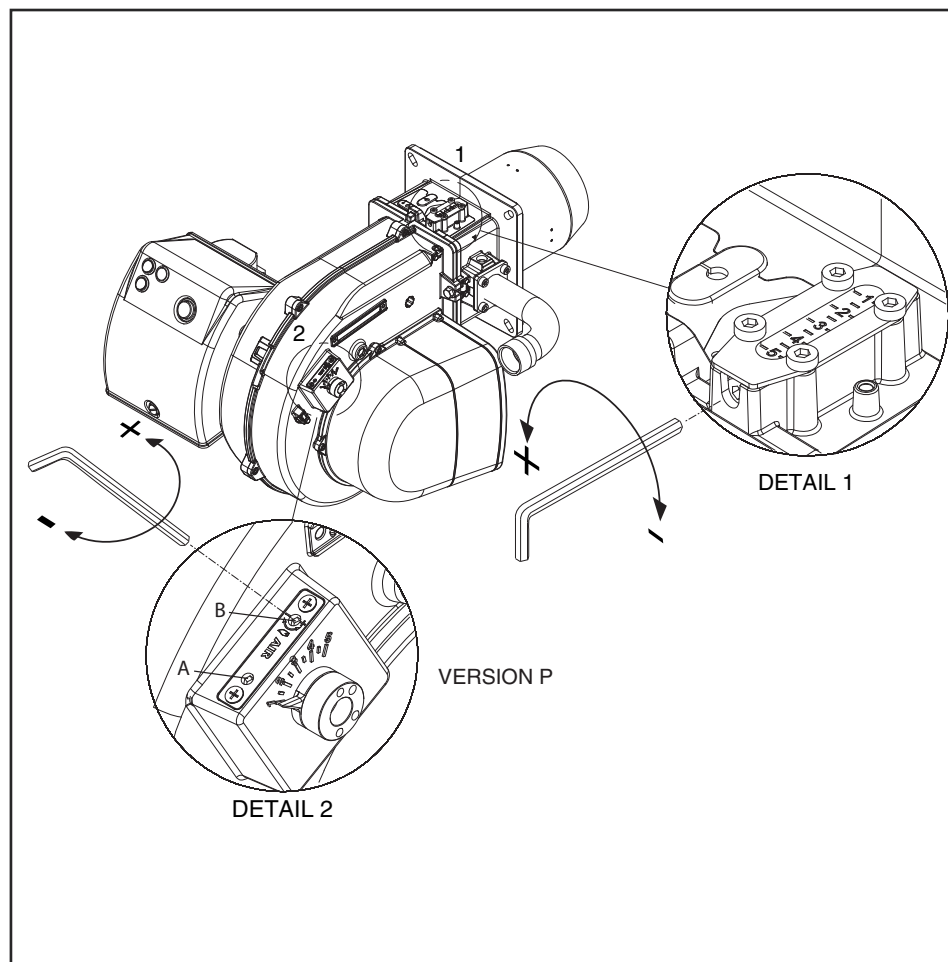
Cette opération n'est pas possible sur les moteurs supérieurs à 3 kW.

Pour plus de renseignements, s'il vous plaît contacter le personnel Ecoflam.



- 1 - bouton de déblocage
- 2 - lampe de fonctionnement
- 3 - interrupteur I/O
- 4 - fusible

## Mise en service - Réglage du brûleur



### Réglage de la combustion du brûleur monostade (version P).

- positionner le volet d'air sur l'ouverture maximale ( pos. 4).  
(uniquement pour les puissances distribuées particulièrement basses, si la réduction de l'air effectuée avec la tête sur la position 1 ne suffit pas, réduire l'ouverture du volet d'air).
- doser l'air en déplaçant la tête de combustion (figure) selon la puissance requise (comme l'exemple sur la figure).
- doser le gaz en agissant sur le réglage de la rampe du gaz ( voir la figure sur la notice de la rampe).

### Régulation de la tête de combustion (1).

Agir sur les vies en figure:

- tourner avec une clé hexagonale jusqu'à la valeur souhaitée (index de 1 à 5).

#### ! Risque de déflagration:

Contrôler en permanence le CO, le CO<sub>2</sub> et les émissions de fumée pendant le réglage. En cas de formation de CO, optimiser les valeurs de combustion. La teneur en CO ne doit pas dépasser 50 ppm.

## Mise en service - Réglage du brûleur

### Diagrammes de pression de gaz en pièce jointe.

Pression de gaz minimum requis sont indiqués dans le diagrammes en pièce jointe. Ces valeurs proviennent de notre laboratoire d'essais et servent à la mise en marche du brûleur, le réglage doit être vérifié à l'aide d'un analyseur de combustion.

### Comment lire les diagrammes et régler le brûleur:

- déterminer la puissance requise.
- déterminer la contre-pression dans la chambre.
- observer la pression du gaz minimum requis dans le diagrammes en pièce jointe.

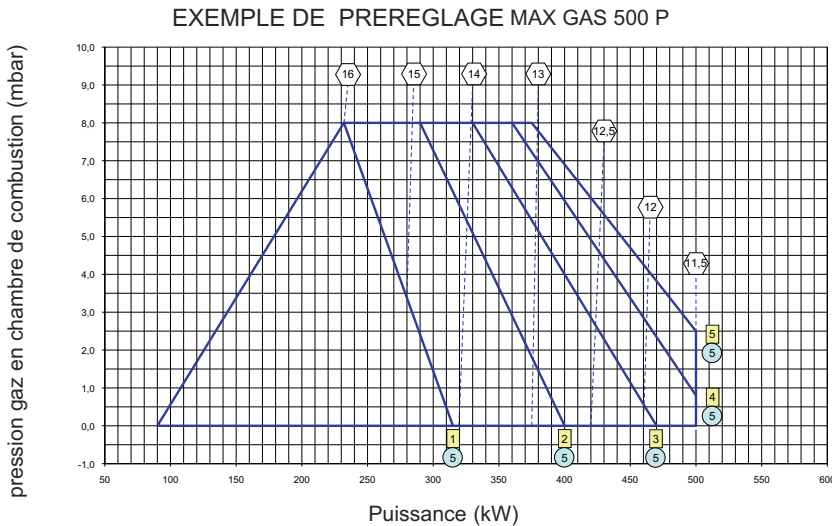
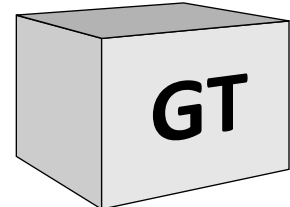
### Optimisation des valeurs de combustion

Le calibrage d'usine devra être modifié en fonction de la puissance requise.


Les diagrammes du calibrage du registre/tête de combustion se trouvent en pièce jointe.


### Réglage de la vanne de gaz


Régler les vannes de gaz en fonction des instructions du manuel de la rampe de gaz.



**Attention:** en cas d'installation sur une chaudière, respecter la température minimale des fumées d'évacuation en fonction des indications du fabricant de la chaudière et selon les exigences du système d'évacuation des fumées, afin d'éviter la formation de condensation.

 pression gaz en tête mesurée sur la courbe (mbar)

 position tête

 position du registre d'air

**Mise en garde :** les valeurs de pré réglage ont été déterminées sur les chambres de combustion d'essai EN676 dans des conditions idéales et servant au premier allumage mais elles doivent être vérifiées et corrigées par le réglage pour chaque installati.

### Exemple sur la figure :

Puissance requise par le générateur 380 kW. Pression prévue dans la chambre de combustion 3,5 mbar. Position de la tête de combustion : 2,5 (entre 2 et 3). Pression du gaz sur la tête: 13 mbar.

## Mise en service - Régulation des pressostat air et gaz

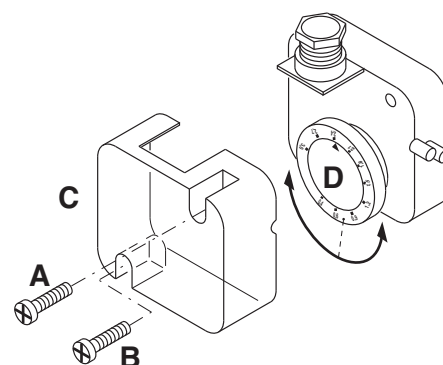
### Réglage du pressostat d'air

Le pressostat d'air contrôle la pression de l'air de ventilation.

Dévisser les vis A et B et enlever le couvercle C.

Après avoir calibré l'air et le gaz, alors que le brûleur fonctionne, tourner lentement la bague D dans le sens des aiguilles d'une montre jusqu'à l'arrêt de blocage du brûleur. Lire la valeur indiquée sur la bague et la réduire de 15%.

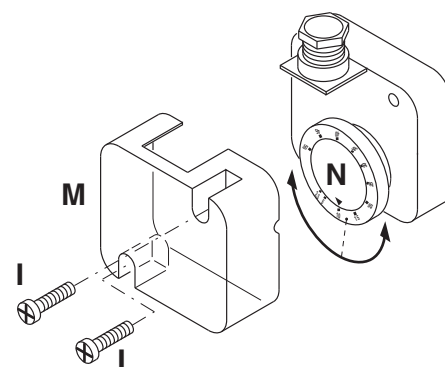
**ATTENTION:** le pressostat évitera que la pression de l'air ne descende sous 85% de la valeur programmée, en évitant ainsi que le CO des fumées ne dépasse 1%(10000 ppm).



### Réglage du pressostat du gas min.

Le pressostat gaz mini a la fonction de vérifier que la pression du gaz avant la vanne soit à la valeur minimale pour que le brûleur fonctionne correctement.

Dévisser les vis I et L et enlever le couvercle M. - Positionner le régulateur N à un valeur équivalent au 60% de la pression nominale d'alimentation du gaz (par ex.: pour gaz nat. avec pression nom. de 20 mbar, positionner le régulateur à une valeur de 12 mbar; pour G.L.P. avec pression nom. G30/G31 30/37 mbar, positionner le régulateur à 18 mbar). - Remonter le couvercle M et visser les vis I et L.



### Contrôle de fonctionnement

Il convient de procéder à un contrôle de sécurité de la surveillance de flamme aussi bien lors de la première mise en service qu'après des révisions ou un arrêt prolongé de l'installation.

- Essai de démarrage avec la vanne de gaz fermée:

L'appareillage de contrôle devra signaler le non fonctionnement par absence de gaz

ou se bloquer une fois le temps de sécurité écoulé.

## Maintenance - Entretien

Les travaux d'entretien sur la chaudière et sur le brûleur ne doivent être exécutés que par un spécialiste en chauffage. Afin d'assurer des opérations d'entretien régulières la souscription d'un contrat d'entretien doit être recommandée à l'utilisateur de l'installation.

### Attention

- Avant toute intervention d'entretien et de nettoyage, couper l'alimentation électrique.
- L'gueulard et les composantes de la tête peuvent être chauds.

### Contrôle des températures des gaz de combustion

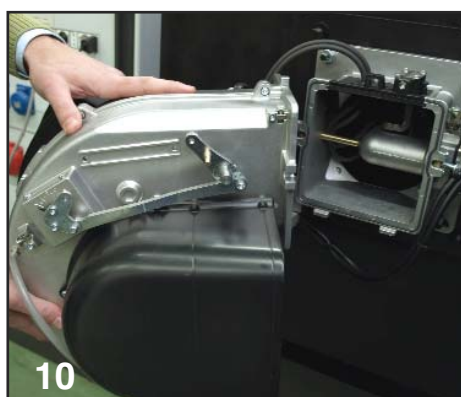
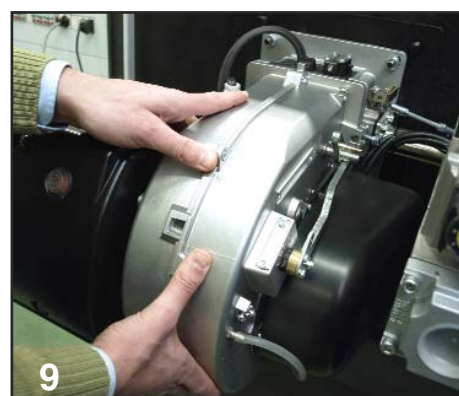
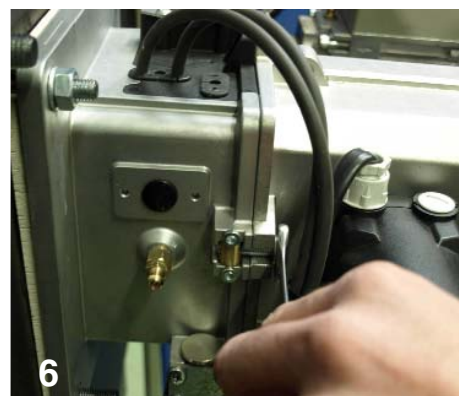
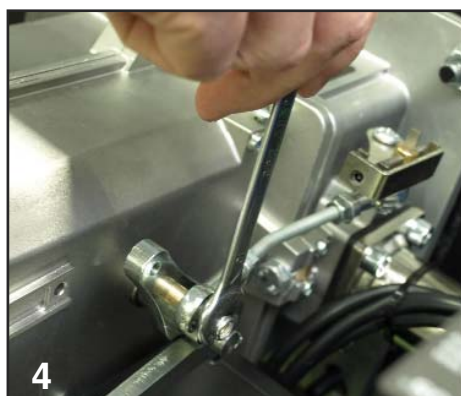
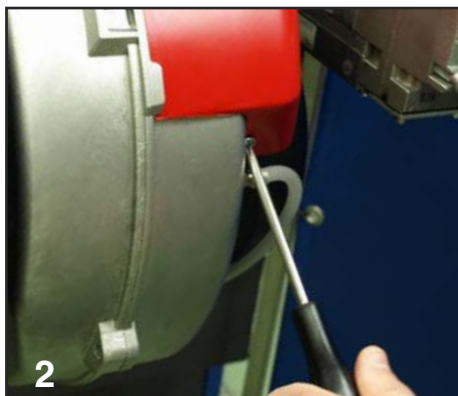
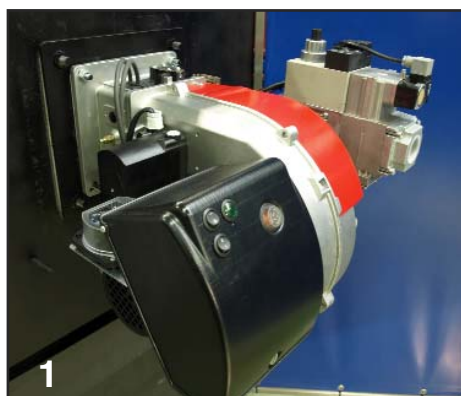
- Contrôler régulièrement la température des gaz de combustion.
- Nettoyer la chaudière lorsque la

température des gaz de combustion dépasse la valeur à la mise en service de plus de 30°C.

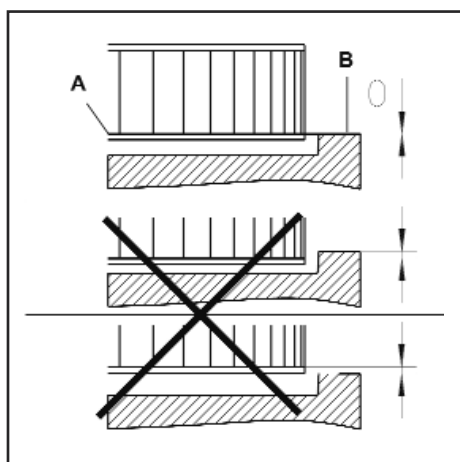
- Utiliser un afficheur de température des gaz de combustion pour faciliter le contrôle.

### Demontage tête de combustion

- Voir les photos dans l'ordre.

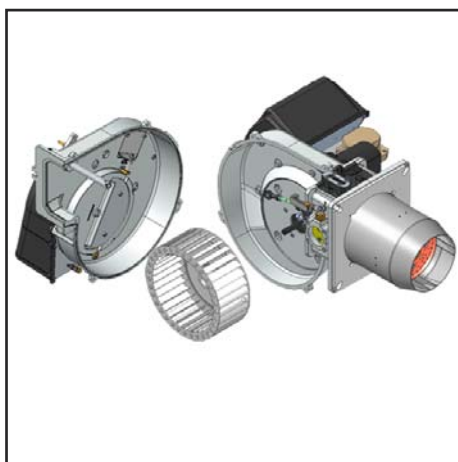


## Maintenance - Entretien

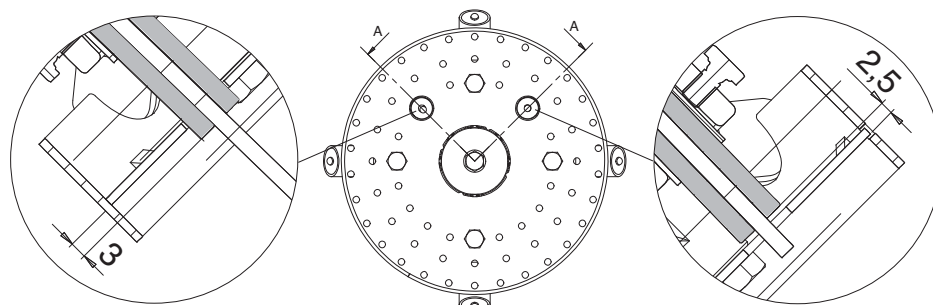
**Montage de la turbine**

Lors du changement du moteur ou de la turbine, se référer au schéma de positionnement.

Le flasque interne **A** de la turbine doit être aligné avec la platine **B**. Insérer un réglet entre les aubes de la turbine et amener **A** et **B** à la même hauteur, serrer la vis sans tête avec une encoche sur le ventilateur (position d'entretien 1).

**Positions d'entretien**

- Tous les composants d'alimentation en combustible (flexibles, canalisations) et leurs accouplements respectifs devraient être vérifiés (étanchéité, usure) et changés si nécessaire.
- Vérifier toutes les connexions électriques et les câbles, et les remplacer si nécessaire.
- Vérifier le filtre gaz, le cas échéant le nettoyer ou le remplacer.
- Nettoyer la turbine et le carter, et vérifier qu'ils ne sont pas endommagés.
- Vérifier et nettoyer la tête de combustion.
- Vérifier les électrodes, les régler ou les remplacer si nécessaire.
- Démarrer le brûleur, vérifier la combustion, et corriger les réglages du brûleur si nécessaire.
- Vérifier le manostat d'air et le manostat gaz.
- Vérifier l'aptitude au réglage de la rampe gaz.
- Contrôler le fonctionnement.





## Maintenance - Problèmes possibles

### Causes et élimination des anomalies

En présence d'anomalies, es conditions de fonctionnement normal doivent être vérifiées:

1. Y a-t-il du courant?
2. Y a-t-il de la pression de gaz?
3. Est-ce que le robinet d'arrêt du gaz est ouvert ?
4. Tous les appareils de régulation et de sécurité tels que thermostat de chaudière, protection contre le manque d'eau, interrupteur de fin de course, sont-ils réglés?

Au cas où, après je contrôle des points susdits, l'anomalie persistait, employer le suivant tableau.

Les composantes de sécurité ne doivent pas être réparés, mais plutôt ils doivent être substitué avec des composantes rapportant le même code article.

### Utiliser exclusivement des pièces de rechange d'origine.










### NB: Après toute intervention contrôler:

- es valeurs de combustion en conditions de exercice (porte de la locale chaudière éclose, couverture montée, etc).
- enregistrer les valeurs de combustion dans le livret de central.

### Afficheur E-BCU : l'interface doit exclusivement être utilisée par le

personnel qui effectue le service pour pouvoir lire les anomalies du brûleur.



Symbole	Constats	Causes	Remèdes
	Pas de demande de chaleur	Thermostat mal réglé ou défectueux	Vérifier / remplacer le thermostat.
	Tension d'alimentation inférieure à la limite minimale de fonctionnement.	Baisse ou défaillance de la tension d'alimentation électrique. Défaut au niveau du coffret.	Vérifier la cause de la baisse ou de l'absence de tension. Remplacer le coffret.
	Le brûleur démarre à la mise sous tension durant un temps très court et s'arrête, allumage du voyant de blocage	Le coffret a été volontairement verrouillé	Débloquer nouvellement le programmeur de je commande.
	Le brûleur ne démarre pas.	Pressostat d'air : position de fonctionnement, Réglage erroné. Contact soudé.	Régler le pressostat Remplacer le pressostat
	Le brûleur ne démarre pas. La pression de gaz est plaine.	Pression de gaz insuffisante. Le pressostat gaz est déréglé ou défectueux.	Vérifier les canalisations de gaz. Nettoyer le filtre. Vérifier le pressostat du gaz ou remplacer l'unité de gaz compacte.
	Le ventilateur du brûleur se met en route. Le brûleur ne démarre pas.	Pressostat d'air : le contact ne se ferme pas.	Contrôler le capteur de pression (corps étranger) et vérifier le câblage.
	Le ventilateur du brûleur se met en route. Le brûleur ne démarre pas.	Flamme parasite pendant le temps de préventilation ou le temps de préallumage.	Contrôler la vanne. Contrôler la surveillance de la flamme.
	Le brûleur démarre, l'allumage se met en route, ensuite il y a interruption	<ul style="list-style-type: none"> <li>- Absence de flamme à la fin du temps de sécurité.</li> <li>- Le débit de gaz est mal réglé.</li> <li>- Défaut dans le circuit de surveillance de la flamme.</li> <li>- Pas d'étincelles d'allumage.</li> <li>- Court-circuit d'une ou de plusieurs électrodes.</li> <li>- Le(s) câble(s) d'allumage est (sont) endommagé(s) ou défectueux.</li> <li>- Le transformateur est défectueux.</li> <li>- Coffret de sécurité est défectueux</li> <li>- Les électrovannes ne s'ouvrent pas.</li> <li>- Blocage des vannes</li> </ul>	<ul style="list-style-type: none"> <li>- Régler le débit de gaz.</li> <li>- Vérifier l'état et la position de la sonde d'ionisation par rapport à la masse.</li> <li>- Vérifier l'état et les raccordements du circuit d'ionisation (câble et pont de mesure).</li> <li>- Régler les électrodes, nettoyer ou remplacer.</li> <li>- Brancher le ou les câbles ou remplacer</li> <li>- Remplacer le transformateur</li> <li>- Remplacer le coffret de sécurité</li> <li>- Contrôler les câblages entre le coffret et les composants externes.</li> <li>- Remplacer l'unité de gaz compacte</li> <li>- Remplacer la vanne du gaz</li> </ul>
	Défaillance de la flamme en cours de fonctionnement.	<ul style="list-style-type: none"> <li>- Pressostat d'air : le contact s'ouvre au démarrage ou pendant le fonctionnement.</li> <li>- Défaillance de la flamme en cours de fonctionnement.</li> </ul>	<p>Régler ou remplacer le pressostat</p> <p>Contrôler la sonde d'ionisation Régler ou remplacer le coffret de sécurité</p>

## Contenidos generales - índice - advertencias generales - Declaración de conformidad

<b>Descripción</b>	Datos técnicos	3
	Ámbito de funcionamiento	4
	Dimensiones	5
<b>Contenidos generales</b>	índice	42
	Advertencias generales - Declaración de conformidad	42
	Descripción del quemador	43
<b>Función</b>	Funciones generales de seguridad	44
	Equipo control llama y de seguridad E-BCU GAS	45
<b>Instalación</b>	Montaje del quemador	46
	Conexión eléctrica	47
	Comprobaciones previas a la puesta en servicio	47
<b>Puesta en servicio</b>	Ajuste del quemador	48-49
	Ajuste de los presostatos de aire y gas	50
<b>Mantenimiento</b>	Conservación	51-52
	Posibles inconvenientes	53
<b>Descripción</b>	Diagramas de presión de gas	66-67
	Esquemas eléctrico	68-69
	Piezas de recambio	70-71

### Advertencia

Los quemadores MAX GAS 350-500 P se han concebido para la combustión de gas natural y de gas propano con bajas emisiones contaminantes. Los quemadores cumplen la norma EN 676, desde el punto de vista del diseño y del funcionamiento. La instalación, la puesta en marcha y el mantenimiento deben ser realizados exclusivamente por técnicos instaladores autorizados siguiendo las directivas y recomendaciones vigentes.

### Descripción del quemador

Los quemadores MAX GAS 350-500 P son aparatos monobloque de una etapa y con un funcionamiento completamente automático. La construcción especial del cabezal de combustión permite obtener una combustión con un índice de óxidos de nitrógeno débil y un coeficiente de rendimiento elevado. Los valores de las emisiones corresponden a la clase 3, tal como la define la EN676 (NOx<80mg/kWh).

Según la geometría del hogar, la carga del mismo y el sistema de combustión (caldera de tres pasos de humos, caldera con hogar de fondo ciego), pueden obtenerse valores de emisiones diferentes.

Son adecuados para todo tipo de generadores de calor que cumplan la norma EN 303 o para generadores-pulsadores de aire caliente fabricados según la norma DIN 4794 o DIN 30697, en su intervalo de potencias. Cualquier otro uso debe ser objeto de una solicitud de autorización a Ecoflam. Para un

funcionamiento completamente seguro, respetuoso con el medio ambiente y económico desde el punto de vista energético, se deben tener en cuenta las siguientes normas:

#### EN 676

Quemadores de gas de aire soplado

#### EN 226

Conexión de quemadores de gasóleo y de gas de aire soplado a un generador de calor.

#### EN 60335-1, -2-102

Seguridad de los dispositivos eléctricos para un uso doméstico, normas especiales para dispositivos de combustión de gas.

#### Condiciones de instalación

El quemador no se debe poner en servicio en locales expuestos a vapores agresivos (por ejemplo laca para el cabello, tetracloroetileno, tetracloruro de carbono), con gran cantidad de polvo o alto grado de humedad del aire (por ejemplo en lavanderías). Es necesario que el local de instalación disponga de una ventilación adecuada para garantizar las condiciones para una buena combustión. Las disposiciones locales pueden indicar requisitos diferentes.

#### No quedan cubiertos por la garantía los daños resultantes de las siguientes causas:

- uso inadecuado.
- montaje defectuoso, instalación realizada por el comprador o un tercero, uso de

### Declaración de conformidad para quemadores de gas

Nosotros ,

### Ecoflam Bruciatori S.p.A.

declaramos bajo nuestra responsabilidad que los quemadores de gas

### MAX GAS

cumplen las normas siguientes :

EN 676	EN 50156-1
EN 55014-1	EN 55014-2
EN 60335-1	EN 60335-2-102
EN 61000-6-2	EN 61000-6-3

Estos productos están marcados con la marca CE de conformidad con la directivas:

**2014/35/UE Low Voltage Directive**  
**2014/30/UE EMC Directive**  
**2006/42/EC Machine directive**  
**2011/65/EU RoHS2 directive**  
**2009/142/CEE Gas Appliance Directive**

February, 2016 / Mr. Ruben Cattaneo  
 R&D manager



piezas no originales.

### Entrega de la instalación y consejos de uso

El instalador del sistema debe facilitar al usuario de la misma, como muy tarde en el momento de la entrega, las instrucciones de uso y mantenimiento. éstas deben conservarse en un lugar bien visible de la sala de calderas. Deben contener la dirección y número de teléfono del servicio de atención al cliente más cercano.

### Advertencia para el operador

Al menos una vez al año, un técnico especialista deberá revisar la instalación. Para garantizar que dicha revisión se realice de una manera regular, es muy recomendable suscribir un contrato de mantenimiento.

Los quemadores Ecoflam se han diseñado y construido de acuerdo con las normativas y directivas corrientes. Todos los quemadores responden a las normativas sobre la seguridad y sobre el ahorro energético en el límite del campo de trabajo declarado. La calidad del producto está garantizada por el sistema de certificación según la norma ISO 9001:2008.



## Contenidos generales - Descripción del quemador

MAX GAS 350 LN P TC SGT 230-50 TW

### NOMBRE

MAX GAS Gas

### MODELO (Gas: kW; Gasóleo: kg/h)

MAX GAS 350 350 kW

### EMISIONES

LN Low NOx Clase 3 GAS EN676 (<80 mg/kWh)  
 - Standard Clase 2-GAS EN676 (<120 mg/kWh)

### TIPO DE OPERACIÓN

P 1 llama  
 PAB 2 llama

### TIPO DE CABEZA

TC Cabeza corta  
 TL Cabeza larga

### COMBUSTIBLE

Gas Natural  
 LPG Gas Propano

### EQUIPMENT

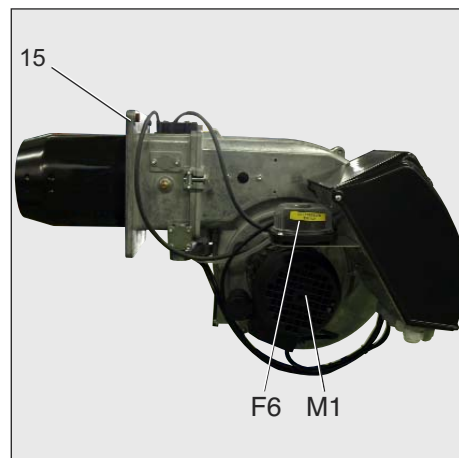
SGT Rampa de gas separado

### TENSION DE ALIMENTACIÓN

230-50 230 Volt, 50 Hz

### EQUIPO CONTROL LLAMA

TW Thermowatt



- A1 E\_BCU GAS Cajetín de control y de seguridad gas
- F6 Presostat de aire
- M1 Motor eléctrico
- T1 Transformador
- 3 Regulación del aire en la cabeza combustión.
- 5 Fusión
- 8 Tubo de illama
- 14 Tapa de quemador
- 15 Brida del quemador
- 113 Toma de aire

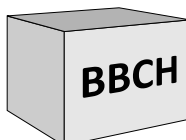
### Embalaje

El quemador se entrega con un sistema modular de embalaje (cajas separadas) es decir, separadas set/box: **BBCH**: Quemador completo con cabezal de combustión y brida.

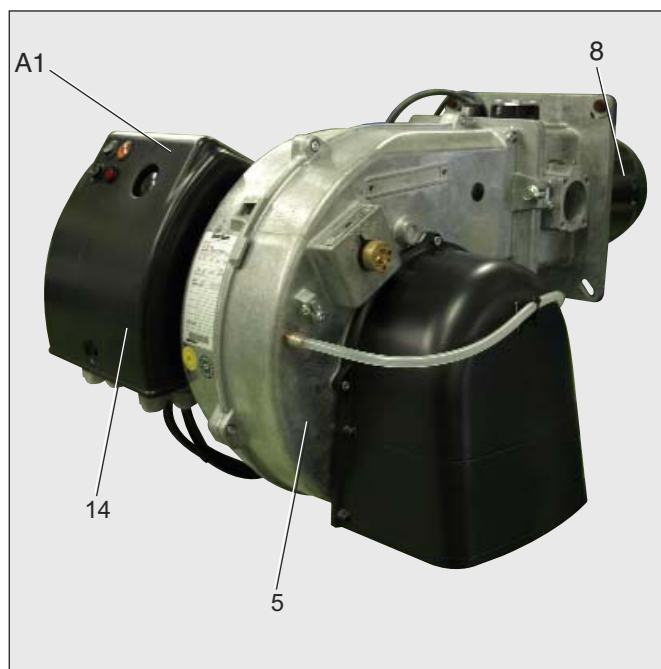
- 1 bolsa :
  - manual técnico multilingüe.
  - espina wieland.
  - llave hexagonal.
  - tornillo, tuercas y arandelas.

GT: Rampa de gas por separado

KIT & ACS disponibles y entregados por separado



KIT & ACS disponibles y entregados por separado



## Función - Funciones generales de seguridad

### Descripción del funcionamiento

Durante la primera activación, tras un corte de tensión o en caso de parada de seguridad tras una interrupción del suministro de gas o tras una parada de 24 horas, comienza un tiempo de preventilación de 24 s.

### Durante el tiempo de preventilación:

- se vigila la presión de aire inyectado.
- control de la presencia de eventuales señales de llama anómalas.

### Transcurrido el tiempo de preventilación

- el encendido entra en el circuito.
- la electroválvula principal y de seguridad está abierta.
- arranque del quemador.

### Vigilancia

La llama se vigila por medio de una sonda de ionización. La sonda se monta, de manera que quede aislada, en el cabezal de gas y pasa a través del deflector a la zona de llama. La sonda no debe estar en contacto eléctrico con piezas que tengan

toma de tierra.

Si se produce un cortocircuito entre la sonda y la masa del quemador, el quemador indicará un fallo.

Durante el funcionamiento se crea una zona ionizada en la llama de gas. Por esta zona circula una corriente rectificada hacia el extremo del quemador. La corriente de ionización debe ser superior a 1,5  $\mu$ A.

### Funciones de seguridad

- Si no se produce llama al arrancar el quemador (salida de gas), el quemador se interrumpirá transcurrido el tiempo de seguridad de 3 segundos y la válvula de seguridad se cierra.

- En caso de fallar la llama durante el funcionamiento, la alimentación de gas se interrumpe en el espacio de un segundo. Se inicia una nueva puesta en marcha. Si el quemador se pone en marcha, continúa el ciclo de funcionamiento. En caso contrario se produce un bloqueo de seguridad.

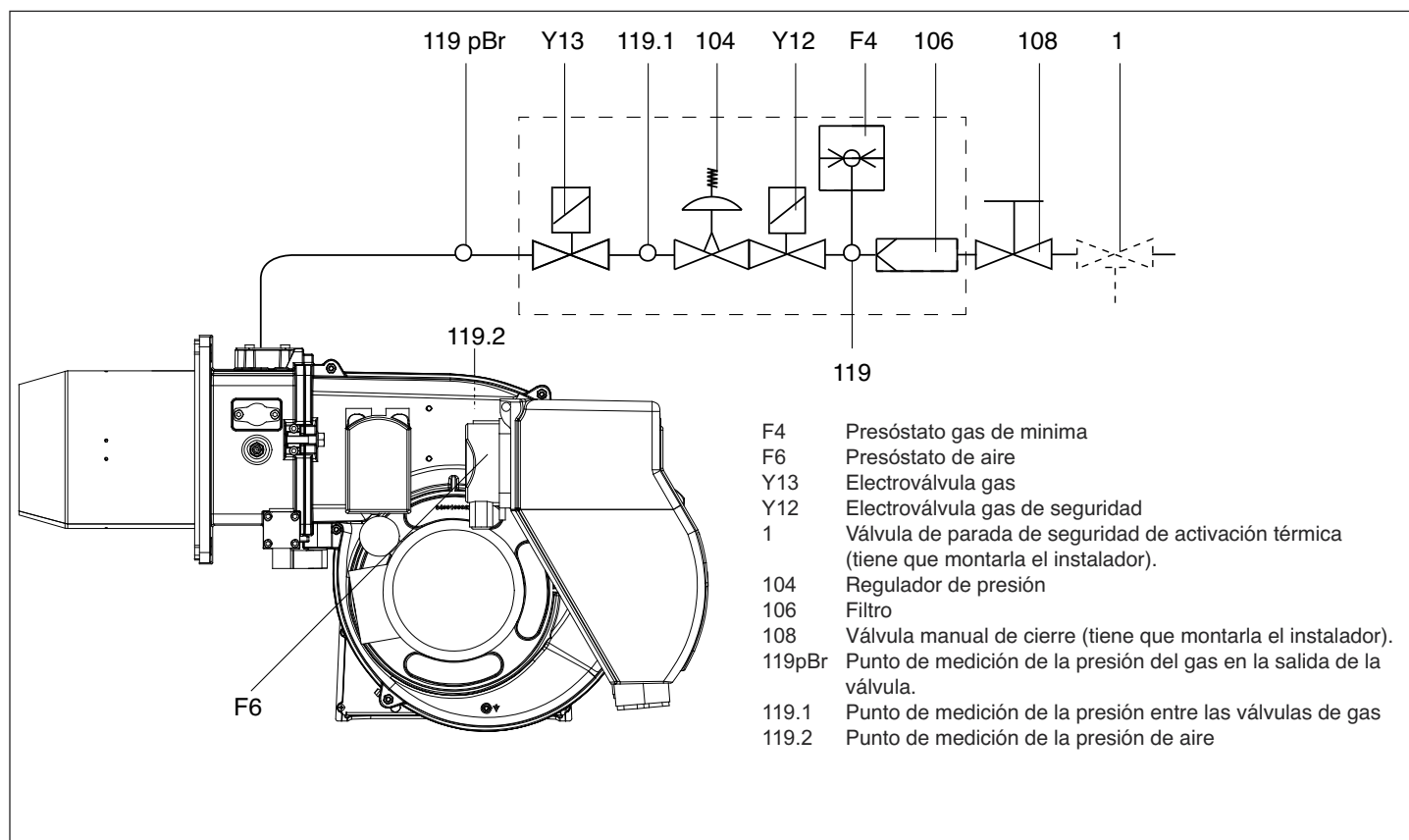
- En caso de falta de aire durante la preventilación o el funcionamiento, se

produce el bloqueo de seguridad.

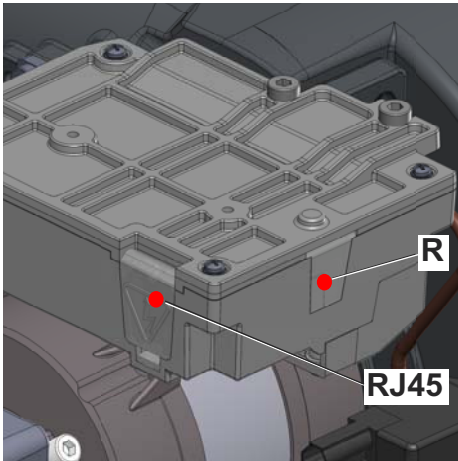
- En caso de falta de gas, el quemador no se pondrá en marcha o se detendrá. A continuación tendrá lugar un tiempo de espera de 2 minutos. A continuación tendrá lugar un nuevo intento de puesta en marcha. Si sigue sin haber presión de gas, tendrá lugar un nuevo tiempo de espera de dos minutos. El tiempo de espera sólo se interrumpirá con un corte de tensión eléctrica del quemador. Tiempo de espera: 3 x 2 min., seguido de 1 hora.

### Parada de ajuste

- El termostato de regulación interrumpe la solicitud de calor.
- Las válvulas de gas se cierran.
- La llama se apaga.
- El motor de ventilación se detiene.
- El quemador está listo para funcionar.



## Función - Equipo control llama y de seguridad E-BCU GAS



- R** - Boteón de reinicio + led indicación de bloqueo.
- RJ45** - Conector para la interfaz de PC (diagnóstico, ítem separado).



Kit E-BCU  
tool diagnóstico  
(no incluido)

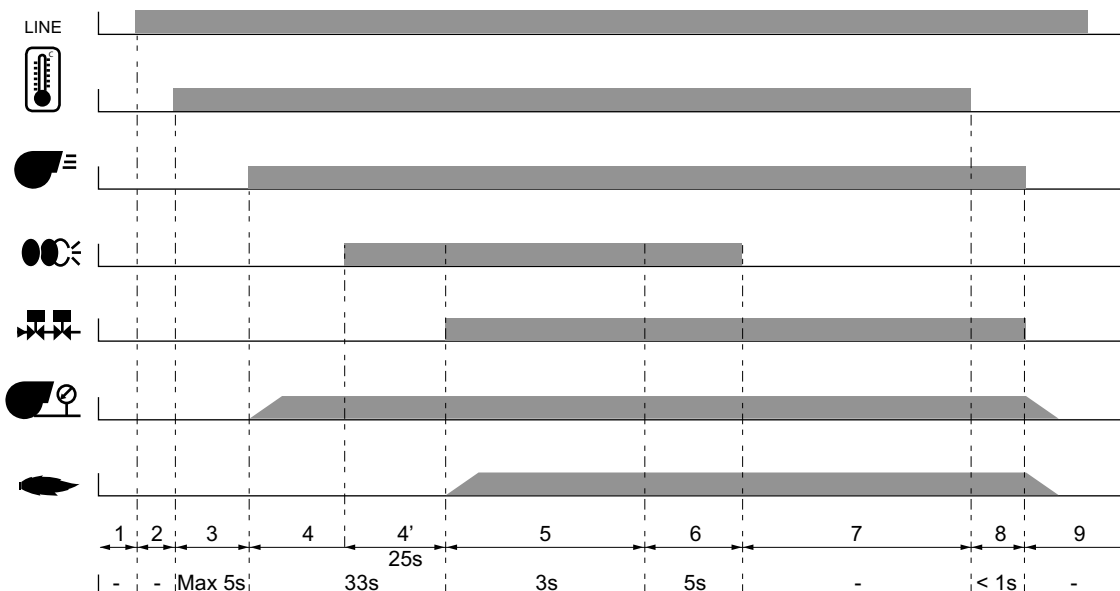
El programador de control y seguridad de gas E-BCU GAS comanda y supervisa el quemador de aire soplado. Gracias al programa de gestión del microprocesador, se obtienen tiempos extremadamente estables, independientes de las oscilaciones de la tensión en la red o de la temperatura ambiente. El programador de comando y seguridad fue proyectado para trabajar con bajas tensiones. Si la tensión da la red desciende por debajo de los valores mínimos (170 V), el programador de comando se desactiva, sin mostrar una señal de error. Una vez que la tensión arriba por encima de los 178 V, el programador arranca nuevamente.

### Bloqueo y desbloqueo

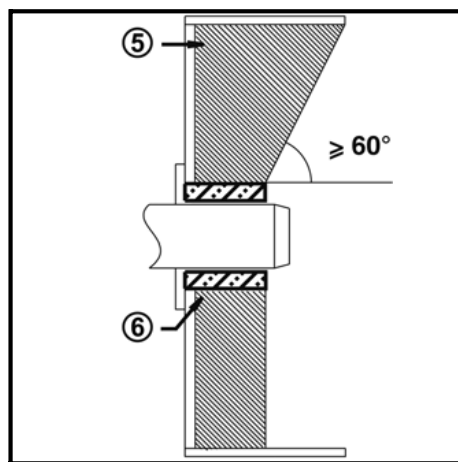
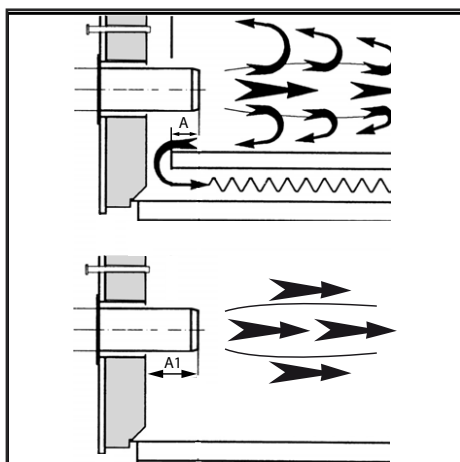
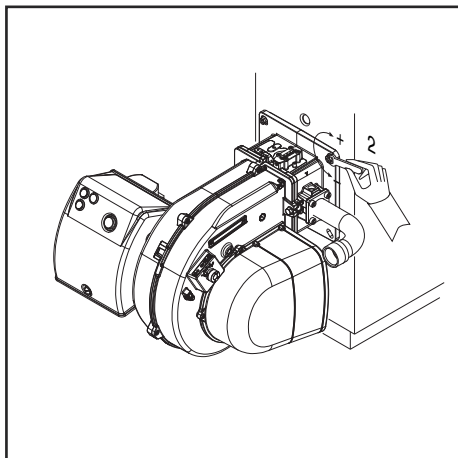
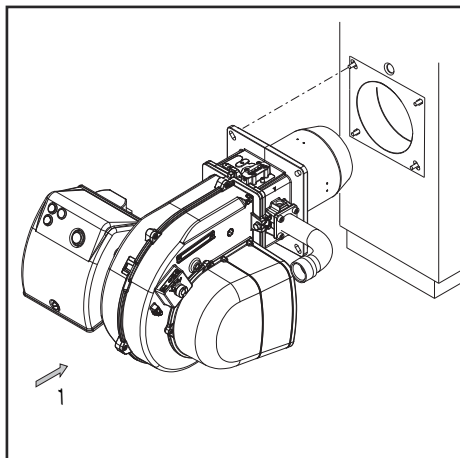
El programador de comando se puede bloquear (en condiciones de anomalía) y desbloquear (eliminación de la anomalía) mediante el pulsador "R" en las condiciones que el programador de comando presente tensión en la red.

**!** Antes del montaje o del desmontaje del programador de comando, el equipo debe ser desconectado de la red de alimentación. El programador de comando no debe ser abierto o reparado.

Símbolo	Descripción
	Espera de solicitud de calor de la caldera
	Activación válvula de combustible
	Tiempo de espera del presostato de aire durante la puesta en marcha
	Alimentación del motor
	Activación del transformador
	Llama presente



## Instalación - Montaje del quemador

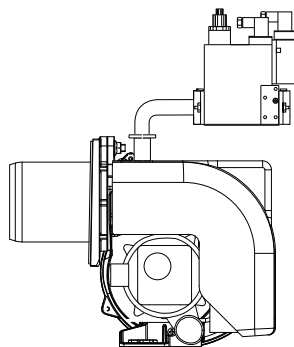


### Línea alimentación del gas

En la instalación de la línea de alimentación y de la rampa del gas es necesario cumplir con las disposiciones de la EN676. Se tiene que instalar el Kit obligatorio EN676. El instalador tendrá que ocuparse de montar ulteriores accesorios para satisfacer eventuales normativas locales.

### Disposiciones de tipo general para la conexión del gas

- La conexión de la rampa del gas a la red del gas tiene que efectuarla exclusivamente un técnico experto autorizado.
- La sección del tubo del gas tiene que prepararse de manera que la presión de alimentación del gas no pueda disminuir por debajo del valor establecido.
- Se tiene que montar al inicio de la rampa del gas una válvula de cierre manual (no suministrada).



### Montaje del quemador

El quemador se fija a la brida de encaje y por consiguiente a la caldera, de esta forma la cámara de combustión se cierra herméticamente.

#### Montaje:

- Fijar la brida de encaje a la caldera con los tornillos.

#### Desmontaje:

- Aflojar el tornillo.
- Tire del quemador de la caldera.

### Profundidad de montaje del tubo del quemador y guarnecido de albañilería

Para los generadores sin pared delantera enfriada y en ausencia de indicaciones contrarias del fabricante de la caldera, es necesario realizar un guarnecido de albañilería o un aislamiento (5) según la ilustración contigua. El guarnecido de albañilería no debe sobresalir del borde delantero del tubo de llama y su conicidad no debe ser superior a 60°. El hueco de aire (6) debe rellenarse con un material de aislamiento elástico y no inflamable.

Para los calderas se debe respetar la profundidad de penetración del tubo de llama teniendo en cuenta las indicaciones del fabricante de la caldera.

Calderas con combustión inversa :

A = 50-100 mm.

Calderas en tres pasos :

A1 = 50-100 mm.

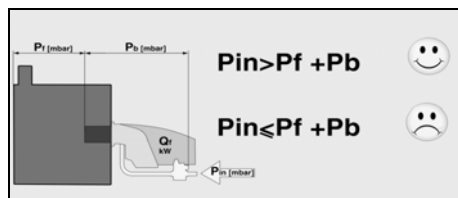
### Conducto de humo

Con el fin de evitar posibles emisiones acústicas desagradables, se recomienda evitar las piezas de conexión con ángulos rectos durante la conexión de la caldera a la chimenea.

## CONVERSIÓN DE GPL

KITLPG-MAXGAS...

Para trabajar con GPL es necesario comprar el Kit GPL y montarlo siguiendo las instrucciones adjuntas.

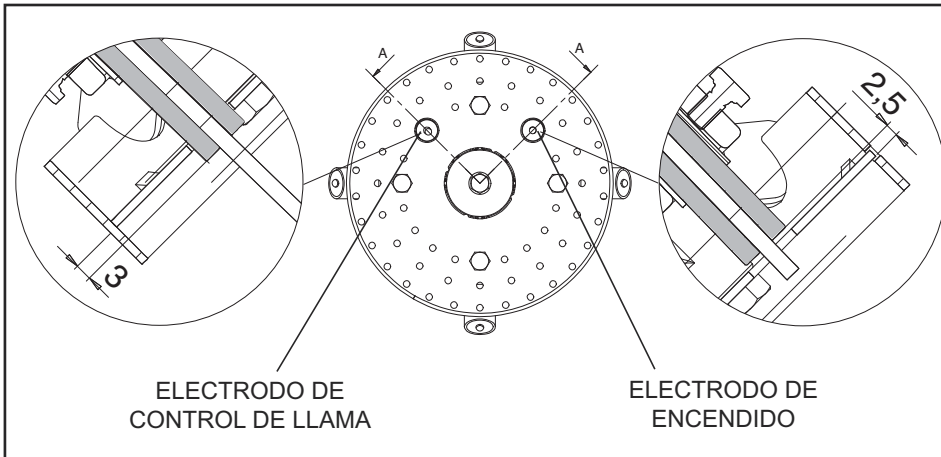


### LEYENDA

Pf: Controresión en cámara de combustión  
Pb: Presión gas quemador (cabeza de combustión + rampa de gas).

Pin: Presión mínima de suministro

## Instalación - Conexión eléctrica - Comprobaciones previas a la puesta en servicio



ELECTRODO DE CONTROL DE LLAMA

ELECTRODO DE ENCENDIDO

### Conexión eléctrica

La instalación eléctrica y los trabajos de conexión debe realizarlos exclusivamente por personal autorizado.

Deben seguirse las recomendaciones y las directivas vigentes.

El equipo de alimentación tiene que disponer de un interruptor diferencial de tipo A.

**Respetar obligatoriamente las disposiciones y las directivas en vigor, además del esquema eléctrico suministrado con el quemador!**

- Compruebe si la tensión eléctrica de alimentación se corresponde con la tensión de funcionamiento indicada en el esquema eléctrico y en la placa de características.

Fusible de la caldera : 5 A

### Conexión eléctrica mediante conectores

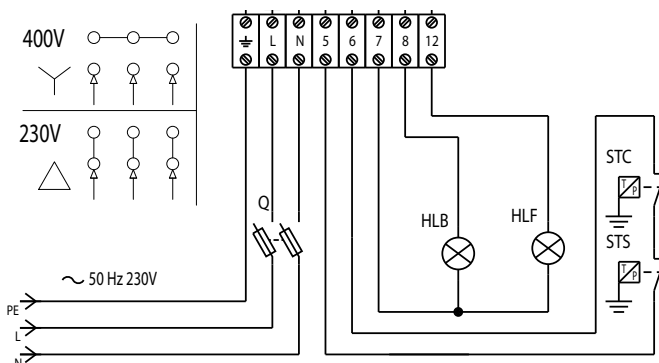
El quemador debe poder desconectarse de la red por medio de un dispositivo de corte unipolar acorde con la normativa vigente. El quemador y el generador de calor (caldera) están conectados entre sí por un conector a espia Wieland a siete polos (fig.1).

### Conexión de la rampa del gas

Efectuar la conexión de la rampa del gas con las tomas situadas en el quemador.

### La configuración estándar de los motores es trifásica 400 V.

Los quemadores con motores eléctricos de potencia inferior o igual a 3 kW pueden ser adaptados para la alimentación de 220-230 V (ver instrucciones en el reverso); para motores de potencias superiores, solamente se admite la alimentación trifásica a 380-400 V. Si se necesita un quemador con alimentación a 220 V, mencionarlo específicamente en el pedido.

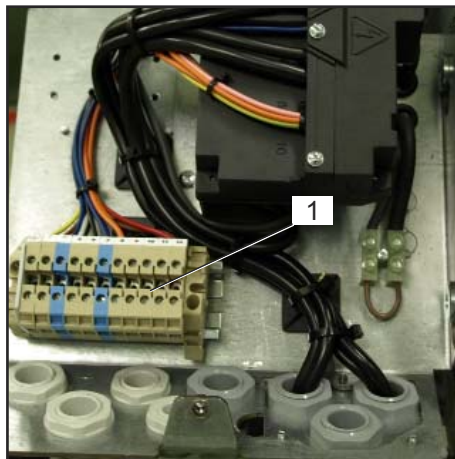


### Instrucciones para la alimentación eléctrica a 220-230 V de motores de 3 kW o menos

Los quemadores Ecoflam con motores de 3 kW o menos pueden ser adaptados para ser conectados

a una alimentación eléctrica de 220-230 V; para ello, proceder de la manera siguiente:

1. cambiar la conexión dentro de la caja de alimentación del motor eléctrico, de estrella a delta (ver figura);
2. cambiar el ajuste del relé térmico, tomando como referencia los valores de absorción indicados en la placa de datos del motor. De ser necesario, reemplazar el relé térmico con otro de escala adecuada. Esto no es posible con motores de más de 3 kW. Para más información, póngase en contacto con su persona de referencia en Ecoflam.



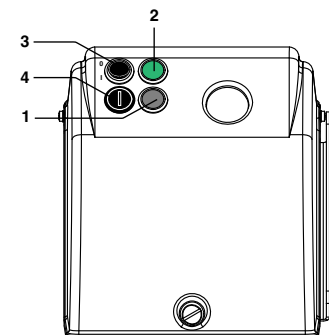
### Posición del electrodo

Comprobar siempre la posición de los electrodos tras su sustitución o el montaje del KIT LPG. Una posición errónea puede provocar problemas de encendido o detección.

### Comprobaciones previas a la puesta en servicio

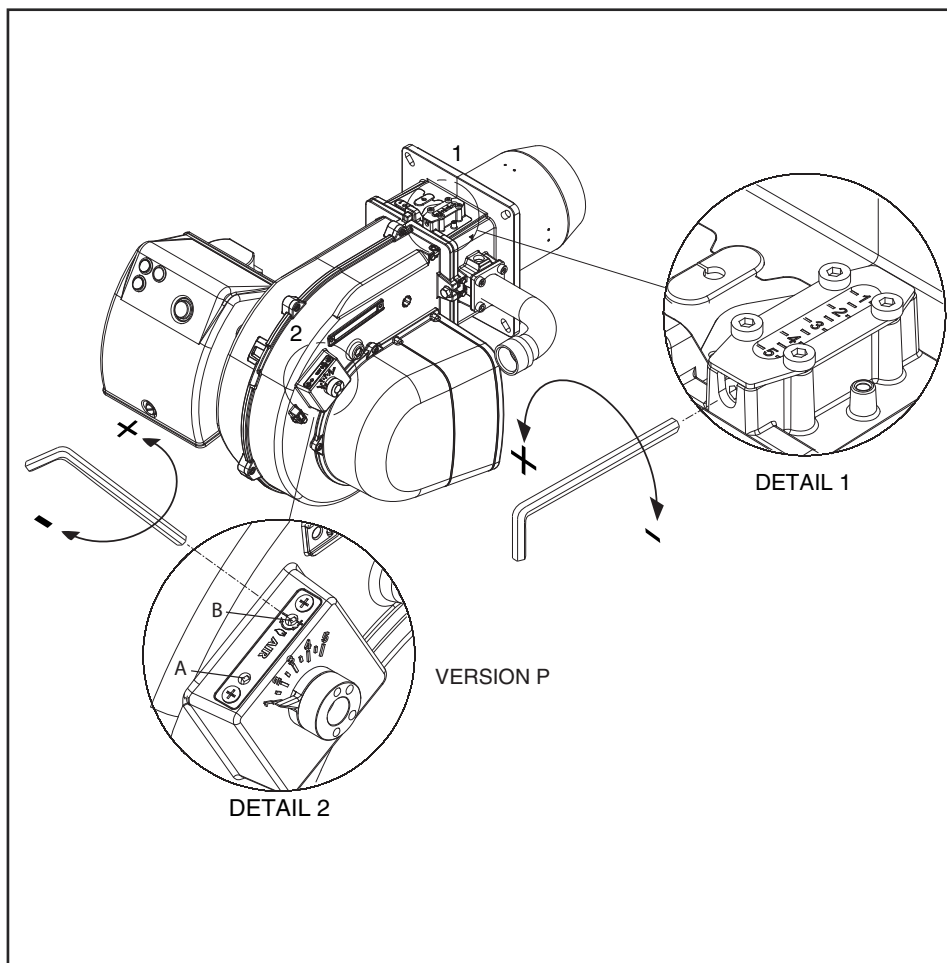
Conviene controlar los siguientes puntos antes de la puesta en servicio.

- Montaje del quemador de conformidad con las presentes instrucciones.
- Ajuste previo del quemador según las indicaciones del cuadro de ajuste.
- Ajuste de los dispositivos de combustión.
- El generador de calor debe estar listo para funcionar; deben respetarse sus recomendaciones de utilización.
- Todas las conexiones eléctricas deben realizarse correctamente.
- El generador de calor y el sistema de calefacción deben estar lo suficientemente llenos de agua; las bombas de circulación deben funcionar.
- El regulador de temperatura, el regulador de presión, la protección contra la falta de agua y el resto de dispositivos de limitación y de seguridad que puedan encontrarse presentes están conectados y operativos.
- La chimenea debe estar despejada y el dispositivo de aire adicional, si se encuentra instalado, en funcionamiento.
- Se debe garantizar un aporte suficiente de aire fresco.
- La solicitud de calor debe estar presente.
- Tiene que estar disponible una presión de gas suficiente.
- Los conductos de combustible deben estar montados según las reglas del oficio, su estanqueidad comprobada y estar purgados.
- Debe existir un punto de medición conforme a las normas; el conducto de humos hasta el punto de medición debe ser estanco, de tal forma que los resultados de medición no se falseen.



- 1 - pulsador de desbloqueo
- 2 - Indicador del funcionamiento
- 3 - Interruptor I / O
- 4 - fusible

## Puesta en servicio - Ajuste del quemador



### Regulación de la combustión del quemador monoestadio

- colocar el cierre del aire en posición de máxima apertura (posic. 4). (sólo para potencias suministradas particularmente bajas, si no es suficiente la reducción del aire efectuada con el cabezal en posición 1, reducir la apertura del cierre del aire).
- dosificar el aire desplazando el cabezal de combustión (figura) según la potencia solicitada (como en el ejemplo de la figura).
- dosificar el gas accionando la regulación de la rampa del gas (véase figura en el manual de la rampa).

### Reglaje de la cabeza de combustión (1).

Accionar el tornillo de la figura:

- girar con una llave hexagonal hasta alcanzar el valor deseado (índice 1-5).

#### ! Existe riesgo de deflagración:

controle constantemente el CO, el CO<sub>2</sub> y las emisiones de humo durante el ajuste. En caso de formación de CO, optimice los valores de combustión. El contenido de CO no debe ser superior a 50 ppm.



## Puesta en servicio - Ajuste del quemador

### Diagramas de presión de gas en el apéndice

Presión de gas mínimo requerido se indican en los diagramas en el apéndice. Estos valores se han obtenido en nuestro laboratorio de ensayos y son útiles para la puesta en función del quemador, el ajuste se tiene que comprobar luego utilizando un analizador de combustión.

### Cómo leer los diagramas y ajustar el quemador:

- establecer la potencia solicitada.
- establecer la presión de retorno en la cámara.

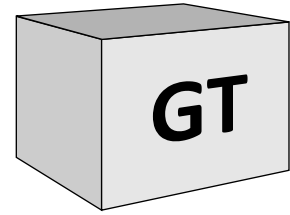
-obtener la presión de gas mínimo requerido en los diagramas en el apéndice.

### Optimizar los valores de combustión

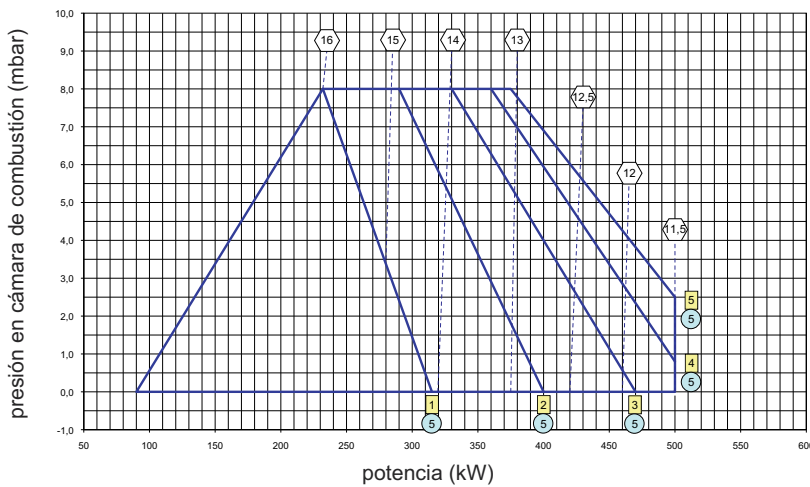
La calibración de fábrica se tendrá que modificar según la potencia solicitada. Los diagramas de la calibración de la compuerta y del cabezal de combustión, se encuentran en el apéndice.

### Ajuste de la válvula del gas

Regular las válvulas del gas según las instrucciones del manual de la rampa del gas.



EJEMPLO DE PREAJUSTE MAX GAS 500 P



**Atención:** en caso de instalación sobre caldera, respetar la temperatura mínima de los gases de combustión según las indicaciones del fabricante de la caldera y según los requisitos del sistema de escape de dichos gases, para evitar la formación de condensación.

- presión de gas en la cabeza medida a la recta (mbar)
- posición de la cabeza
- posición de la compuerta de aire

**Advertencia:** los valores de preajuste se han determinado en cámaras de combustión de prueba EN676 en condiciones ideales, y son útiles para el primer encendido pero se tienen que comprobar y corregir con el ajuste para cada instalación.

### Ejemplo en la figura:

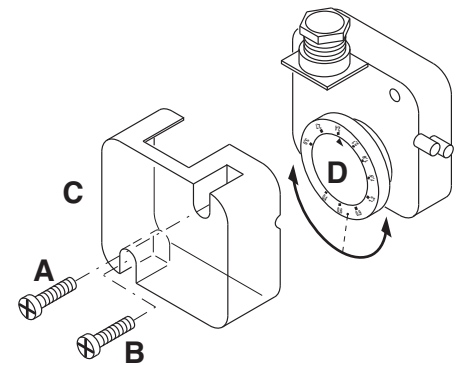
Potencia solicitada por el generador 380 kW. Presión prevista en la cámara de combustión 3,5 mbar. Posición cabezal de combustión : 2,5 (entre 2 y 3). Presión del gas en el cabezal: 13 mbar.

## Puesta en servicio - Regulación de presóstati aire y gas

### Regulación del presóstato aire

El presóstato aire controla la presión de ventilación de aire.

Destornillar los tornillos A y B y quitar la tapa C. Después de la calibración del aire y del gas, con el quemador en función, girar lentamente en el sentido de las agujas del reloj la abrazadera D hasta el tope de bloqueo del quemador. Leer el valor indicado en la abrazadera y reducirlo un 15%. Remontar la tapa C y atornillar los tornillos A y B.

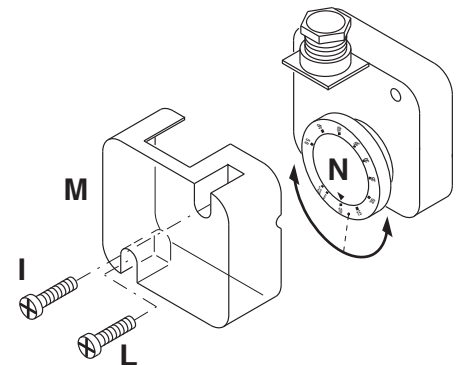


**ATENCIÓN:** el presostato evitará que la presión del aire disminuya por debajo del 85% del valor configurado, evitando de esta forma que el CO en los humos supere el 1% (10000 ppm).

### Regulación del presóstato gas de mínima

El presóstato gas de mínima tiene la función de verificar que la presión de gas antes de la rampa de gas tenga la mínima presión para asegurar que el quemador funcione correctamente.

Destornillar los tornillos I y L y quitar la tapa M. Posicionar el regulador N a un valor igual al 60% de la presión nominal de alimentación el gas (ej. para gas nat. con pres. nom. de alim. de 20 mbar, regulador regulado al valor de 12 mbar; para G.P.L. con pres. nom. de alim. G30-G31 30/37 mbar, regulador regulado al valor 18 mbar). Remontar la tapa M y atornillar los tornillos I y L.



### Control de funcionamiento

Es necesario efectuar un control de seguridad del seguimiento de la llama, tanto con motivo de la primera puesta en función como tras haber efectuado una revisión o tras un largo periodo de inactividad del equipo.

- Prueba de puesta en marcha con el grifo del gas cerrado: el equipo de control tendrá que señalar el no funcionamiento por ausencia de gas o bloquearse al final del tiempo de seguridad.

## Mantenimiento - Conservación

Las operaciones de mantenimiento de la caldera debe llevarlas a cabo un técnico especialista en calefacción. Para garantizar la realización anual de los trabajos de mantenimiento, se recomienda firmar un contrato demantenimiento.

**Atención:**

- Antes de realizar cualquier intervención de mantenimiento y limpieza, cortar el

suministro eléctrico.

- La tobera y los componentes del cabezal pueden estar calientes.

**Control de las temperaturas de los gases de combustión**

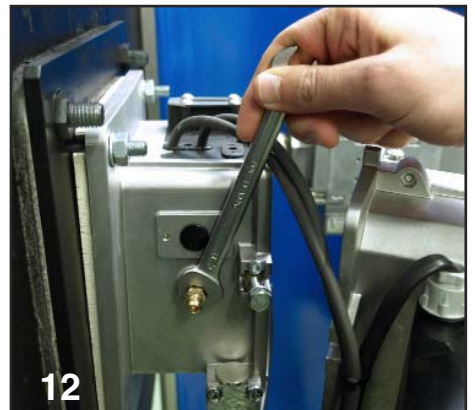
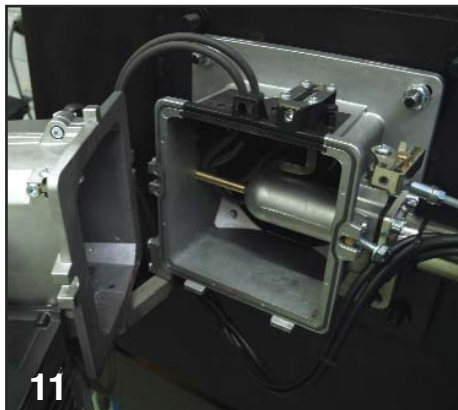
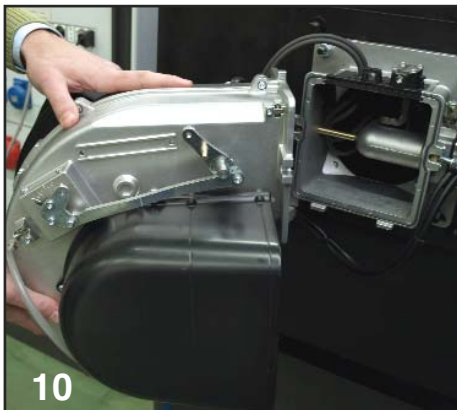
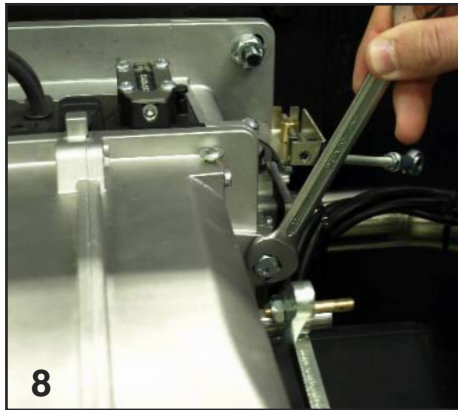
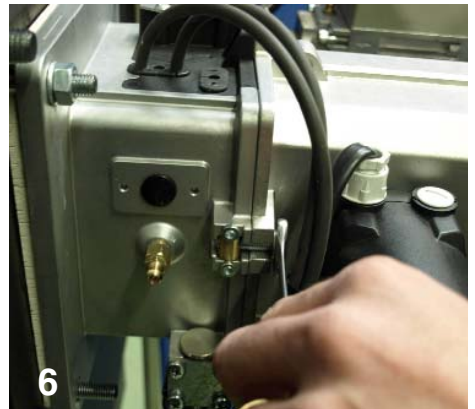
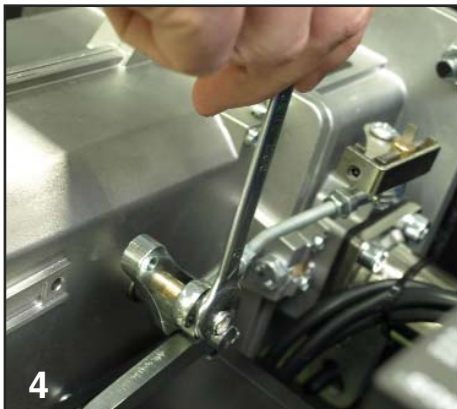
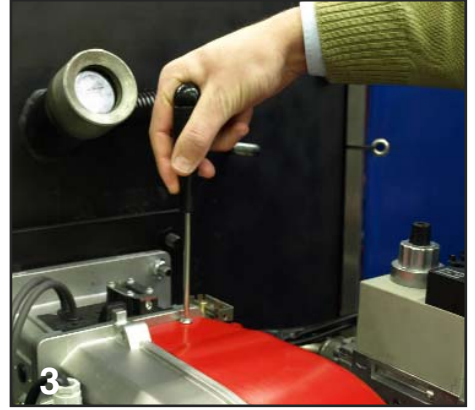
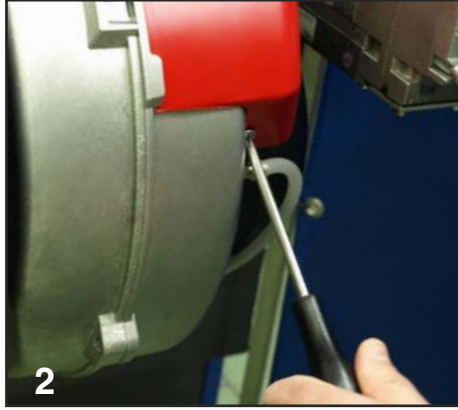
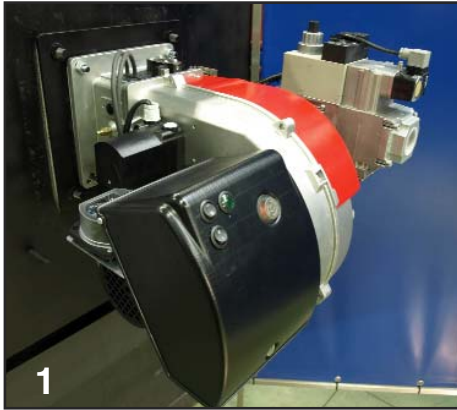
- Compruebe con regularidad la temperatura de los gases de combustión.
- Limpie la caldera cuando la temperatura de los gases de combustión supere el

valor de puesta en servicio en más de 30 °C.

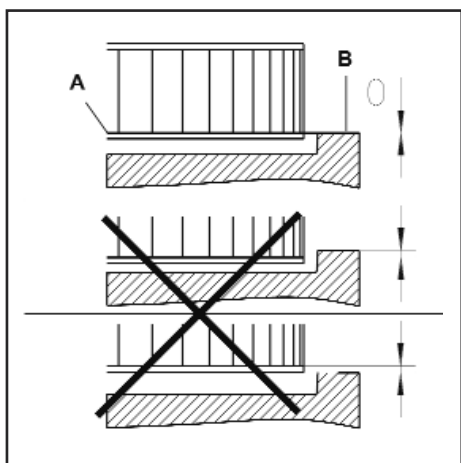
- Utilice un indicador de temperatura de los gases de combustión para facilitar la comprobación.

**Extracción de cabeza de combustión**

- Ver imágenes en el orden.



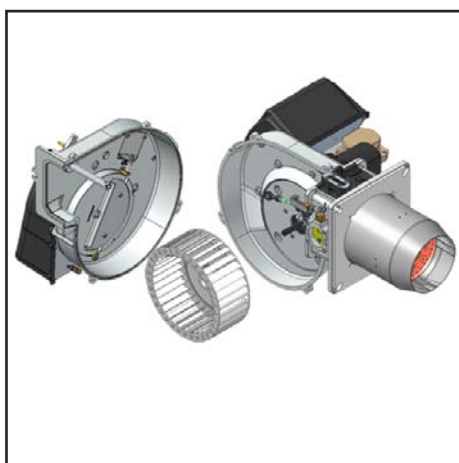
## Mantenimiento - Conservación



### Montaje de la turbina

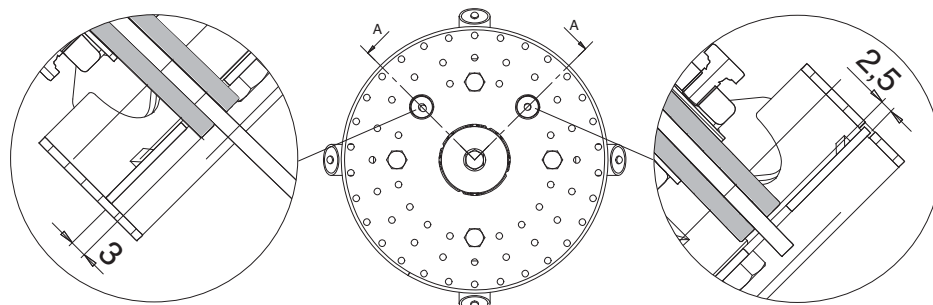
Durante el cambio de ventola o motor, remitir al esquema de posicionamiento.

El disco interno A de la turbina debe ser alineado con la placa B. Introduzca una regla entre los álabes de la turbina y sitúe A y B a la misma altura, apretar el tornillo con ranura en el ventilador (posición de mantenimiento 1).



### Posiciones de mantenimiento

- Todos los componentes de alimentación de combustible (mangueras, canalizaciones) y sus acoplamientos respectivos deben ser comprobados (estanqueidad, desgaste) y cambiados si es preciso.
- Comprobar las conexiones eléctricas y los cables y sustituirlos en caso necesario.
- Comprobar el filtro de gas, limpiarlo o sustituirlo.
- Limpiar la turbina y el cárter y comprobar que no estén deteriorados.
- Comprobar y limpiar la cabeza de combustión.
- Comprobar los electrodos de encendido, ajustarlos o sustituirlos si es necesario.
- Poner en marcha el quemador, comprobar la combustión y corregir los ajustes del quemador si es necesario.
- Comprobar el presóstato de aire y el presóstato de gas.
- Comprobar la aptitud del ajuste de la rampa de gas.
- Realizar una comprobación de funcionamiento.



## Mantenimiento - Posibles inconvenientes

### Causas y resolución de anomalía

En caso de anomalía se deben comprobar las condiciones de funcionamiento normal:

1. Hay corriente eléctrica?
2. Hay presión de gas?
3. Está abierta la válvula de cierre del gas?
4. Todos los aparatos de regulación y de seguridad, como por ejemplo el termostato de la caldera, el dispositivo de protección contra la falta de agua, el interruptor de fin de carrera, etc. están regulados?

En el caso de que, después de comprobar los puntos arriba, la anomalía persiste, consulte la tabla siguiente.

Los componentes de seguridad no debe ser reparado, pero se debe reemplazados por componentes de la muestra el mismo número de artículo.










### Utilice exclusivamente piezas.

#### NB: Después de cualquier intervención:

- bajo condiciones de funcionamiento normales (las puertas se cerraron, capilla cabida, etc.), la combustión del cheque y comprueba las líneas individuales para saber si hay escapes.
- Registre los resultados en los documentos relevantes.

**El interfaz de la visualización de E-BCU se debe utilizar para leer las averías por el personal de servicio.**



Simbolo	Observaciones	Causas	Soluciones
	Sin solicitud de calor	Termostato defectuoso o mal ajustado	Compruebe/sustituya el termostato
	Corriente de alimentación inferior al límite mínimo de funcionamiento.	Disminución o fallo de tensión de alimentación eléctrica. Fallo en la zona del equipo control llama	Comprobar la causa de disminución o ausencia de tensión. Sustituir el equipo control llama
	El quemador se enciende al activarlo durante breves instantes y, a continuación, se apaga, encendido del espía de bloqueo	El equipo control llama se ha bloqueado voluntariamente	Desbloquear el equipo control llama de nuevo
	El quemador no arranca	Presóstato de aire: no está en posición de parada. Ajuste erróneo. Contacto soldado.	Proceder a un nuevo ajuste del presóstato. Sustituir el presóstato.
	El quemador no arranca. La presión de gas es normal.	Presión de gas insuficiente. El presóstato de gas está desajustado o es defectuoso.	Revisar las canalizaciones de gas. Limpiar el filtro. Revisar el manostato de gas o sustituir la rampa de gas.
	Se pone en marcha el ventilador del quemador. El quemador no arranca.	Presión de aire: el contacto no se cierra.	Comprobar el sensor de presión (cuerpo extraño) y el cableado.
	Se pone en marcha el ventilador del quemador. El quemador no arranca.	Luz parásita en preventilación o preencendido.	Revisar la válvula. Revisar la vigilancia de llama.
	El quemador se pone en marcha, se enciende y luego hay una interrupción.	<ul style="list-style-type: none"> <li>- Ausencia de llama transcurrido el tiempo de seguridad.</li> <li>- El caudal de gas está mal regulado.</li> <li>- Fallo en el circuito de vigilancia de la llama.</li> <li>- No hay chispas de encendido.</li> <li>- Cortocircuito de uno o varios electrodos.</li> <li>- El(los) cable(s) de encendido está(n) dañado(s) o defectuosos.</li> <li>- Transformador defectuoso</li> <li>- Equipo control llama defectuoso</li> <li>- Las electroválvulas no se abren.</li> <li>- Bloqueo de las válvulas.</li> </ul>	<ul style="list-style-type: none"> <li>- Ajustar el caudal de gas</li> <li>- Comprobar el estado y la posición de la sonda de ionización con respecto a la masa</li> <li>- Comprobar el estado y las conexiones del circuito de ionización (cable y puente de medición)</li> <li>- Ajustar los electrodos, limpiarlos o sustituirlos.</li> <li>- Conectar el o los cables o sustituirlos</li> <li>- Sustituir el transformador</li> <li>- Sustituir el equipo control llama</li> <li>- Comprobar el cableado entre el cajetín y los componentes externos.</li> <li>- Sustituir la rampa de gas</li> <li>- Sustituir las válvulas</li> </ul>
	El quemador se detiene en pleno funcionamiento.	<ul style="list-style-type: none"> <li>- Presóstato de aire: el contacto se abre en el arranque o durante el funcionamiento.</li> <li>- Fallo de la llama durante el funcionamiento.</li> </ul>	<p>Ajustar o sustituir el presóstato</p> <p>Comprobar el circuito de la sonda de ionización. Revisar o sustituir el equipo control llama</p>

## Содержание - Предупреждения общего характера - Сертификат соответствия

Обзор	Технические характеристики	3
	Рабочий диапазон	4
	Размеры	5
Содержание	Содержание	54
	Предупреждения общего характера	54
	Сертификат соответствия	
	Описание горелки	55
Функционирование	Общие функции безопасности	56
	Блок управления E-BCU GAS	57
Установка	Установка горелки	58
	Электрическое соединение	59
	Необходимые проверки перед пуском в эксплуатацию	59
Ввод в эксплуатацию	Регулировка горелки	60-61
	Регулировка реле давления воздуха и газа	62
Техническое обслуживание	Работы по техническому обслуживанию	63-64
	Возможные неполадки	65
Обзор	Диаграммы давления газа	66-67
	Электрические схемы	68-69
	Запчасти	70-71

### Основные указания

Горелки MAX GAS 350-500 P спроектированы для сжигания природного газа и газа пропан с низким выбросом в атмосферу загрязняющих веществ. Горелки соответствуют норме EN 676 с точки зрения исполнения и функционирования. Монтаж, пуск в эксплуатацию и техническое обслуживание должны производиться только квалифицированными техническими специалистами с соблюдением всех действующих директив и предписаний.

### Описание горелки

Горелки MAX GAS 350-500 P являются моноблочными одноступенчатыми приборами, работающими в полностью автоматическом режиме. Специальная конструкция головки горелки позволяет достичь сгорания с низким уровнем окислов азота и высоким коэффициентом полезного действия. Величины выбросов соответствуют классу 3, как определено нормой EN676 (NOx<80 мг/кВт.ч). В зависимости от геометрических параметров топочной камеры, нагрузки котла и системы сгорания (трехконтурный котел, котел с реверсивной топочной камерой) значения выделения загрязняющих веществ могут быть различными. Они пригодны для оборудования всех теплогенераторов, соответствующих

стандарту EN 303, или нагнетательных генераторов теплого воздуха, соответствующих стандартам DIN 4794 или DIN 30697, в их мощностном диапазоне. Для любого другого использования требуется разрешение компании Ecoflam.

В целях обеспечения безопасного, экологически чистого функционирования, низкого потребления энергии, необходимо соблюдать следующие правила:

#### EN 676

Вентиляторные газовые горелки (с наддувом)

#### EN 226

Подключение наддувных жидкотопливных или газовых горелок к теплогенератору.

#### EN 60335-1, -2-102

Безопасность электроприборов бытового использования, особые нормы для газовых приборов.

### Условия установки

Горелка не должна эксплуатироваться в помещениях с агрессивной средой (например, спрей, тетрахлорэтилен, тетрахлорметан и т.д.), сильно запыленным воздухом или с высокой влажностью (например, в прачечных). Достаточная вентиляция должна быть предусмотрена в помещении, где установлена горелка, так, чтобы обеспечить условия для хорошего сгорания. Местное законодательство

### Декларация о соответствии для газовых горелок

Мы, компания,  
**Ecoflam Bruciatori S.p.A.**

заявляем под свою ответственность, что газовые горелки

### MAX GAS

соответствуют требованиям следующих стандартов :

EN 676	EN 50156-1
EN 55014-1	EN 55014-2
EN 60335-1	EN 60335-2-102
EN 61000-6-2	EN 61000-6-3

Эти изделия маркируются знаком CE в соответствии с директивами:

**2014/35/UE Low Voltage Directive**  
**2014/30/UE EMC Directive**  
**2006/42/EC Machine directive**  
**2011/65/EU RoHS2 directive**  
**2009/142/CEE Gas Appliance Directive**

February, 2016 / Mr. Ruben Cattaneo  
R&D manager



может содержать дополнительные требования.

### Гарантия не распространяется на возмещение ущерба, вызванного следующими причинами:

- ненадлежащее использование
- неправильная установка или ремонт, выполненные покупателем или третьими лицами, использование неоригинальных элементов.

### Передача установки пользователю и рекомендации по эксплуатации

Производитель обязан не позднее момента передачи установки пользователю передать ему инструкции по эксплуатации и техническому обслуживанию установки. Они должны храниться в котельной на видном месте. В них должен быть указан номер телефона и адрес ближайшего центра технического обслуживания.

### Рекомендации пользователю

Не менее одного раза в год оборудование должно проверяться квалифицированным специалистом. Для обеспечения регулярных проверок рекомендуется заключить договор на проведение технического обслуживания.

Горелки производства Ecoflam были разработаны и изготовлены в соответствии с действующими нормативами и директивами. Все горелки соответствуют стандартам безопасности и энергосбережения в пределах заявленного рабочего поля. Качество продукции гарантировано системой сертификации в соответствии с нормой ISO 9001:2008



## Содержание - Описание горелки

MAX GAS 350 LN P TC SGT 230-50 TW

### НАЗВАНИЕ

MAX GAS газ

### МОДЕЛЬ (газ: кВт; жидкое топливо: кг/ч)

MAX GAS 350 350 кВт

### ВЫБРОСЫ

LN Low NOx Класс 3 GAS EN676 (<80 мг/кВтч)  
 - Стандарт Класс 2-GAS EN676 (<120 мг/кВтч)

### РЕЖИМ РАБОТЫ

P 1-ступенчатый  
 PAB 2-ступенчатый

### ТИП ГОЛОВКИ

TC КОРОТКАЯ ЖАРОВАЯ ТРУБА  
 TL ДЛИННАЯ ЖАРОВАЯ ТРУБА

### ТОПЛИВО

LPG природный газ  
 пропан газ

### ОБОРУДОВАНИЕ

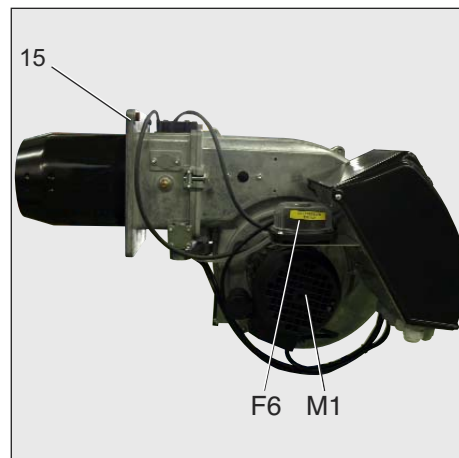
SGT Отдельная газовая рампа

### ЭЛЕКТРОПИТАНИЕ

230-50 230 В, 50 Гц

### БЛОК УПРАВЛЕНИЯ

TW Thermowatt



- A1 E-BCU Gas Блок управления
- F6 Реле давления воздуха
- M1 Электродвигатель вентилятора
- T1 Трансформатор розжига
- 3 Регулировка воздуха в головке горелки
- 5 Корпус
- 8 Труба жаровая
- 14 Кожух
- 15 Фланец горелки
- 113 Короб воздухозабора

### Упаковка

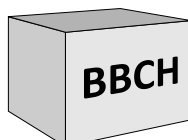
Горелка поставляется с модульной системой упаковки отдельными комплектами/коробками:

**VBCH:** Горелка в комплекте с огневой головкой и фланцем.

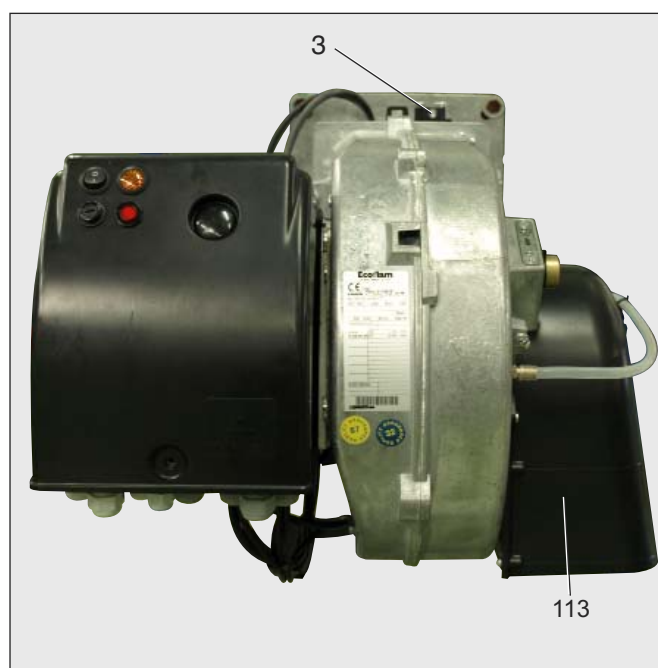
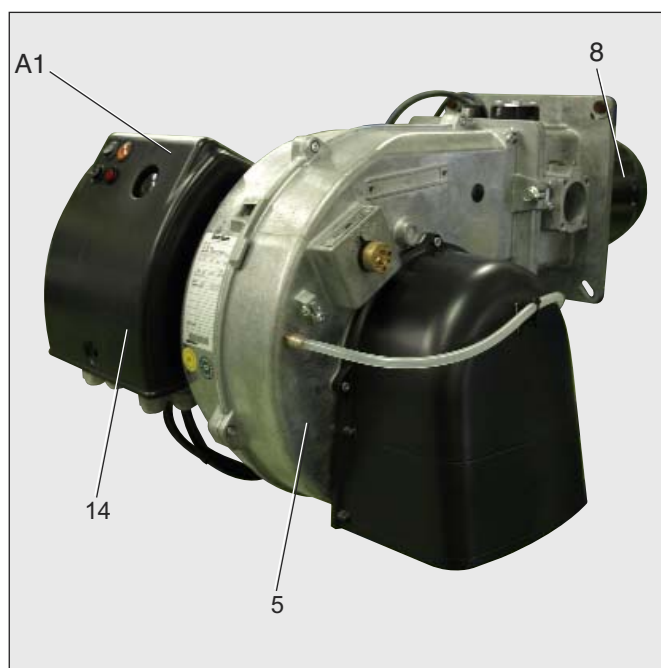
- 1 пакет : - многоязычное техническое руководство.
- штекер wieland.
- гаечный ключ.
- винты, гайки и шайбы.

**GT:** Отдельная газовая рампа.

**KIT & ACS** заказываемые и поставляемые отдельно



**KIT & ACS** заказываемые и поставляемые отдельно



## Функционирование - Общие функции безопасности

### Описание работы

При первой подаче напряжения, после отключения напряжения или перевода в режим безопасности, после отключения газа или после остановки на 24 часа, начинается время предварительной вентиляции 24 сек.

### В течение предварительной вентиляции:

- давление воздуха находится под контролем.
- топочная камера проверяется на наличие сигналов пламени.

### После истечения периода предварительной вентиляции

- запускается розжиг.
- главный и предохранительный электромагнитные клапаны открыты.
- пуск горелки.

### Контроль

Пламя контролируется ионизационным зондом. Зонд вместе с изоляцией встроен в газовую головку и проходит через дефлектор в зону пламени. Зонд

не должен иметь электрический контакт с заземленными деталями. В случае короткого замыкания между зондом и массой горелки горелка переходит в аварийный режим. При горении в газовом пламени образуется ионизационная зона, через которую выпрямленный ток идет от зонда к соплу горелки. Ионизационный ток должен быть не менее 1,5  $\mu$ A.

### Режим безопасности

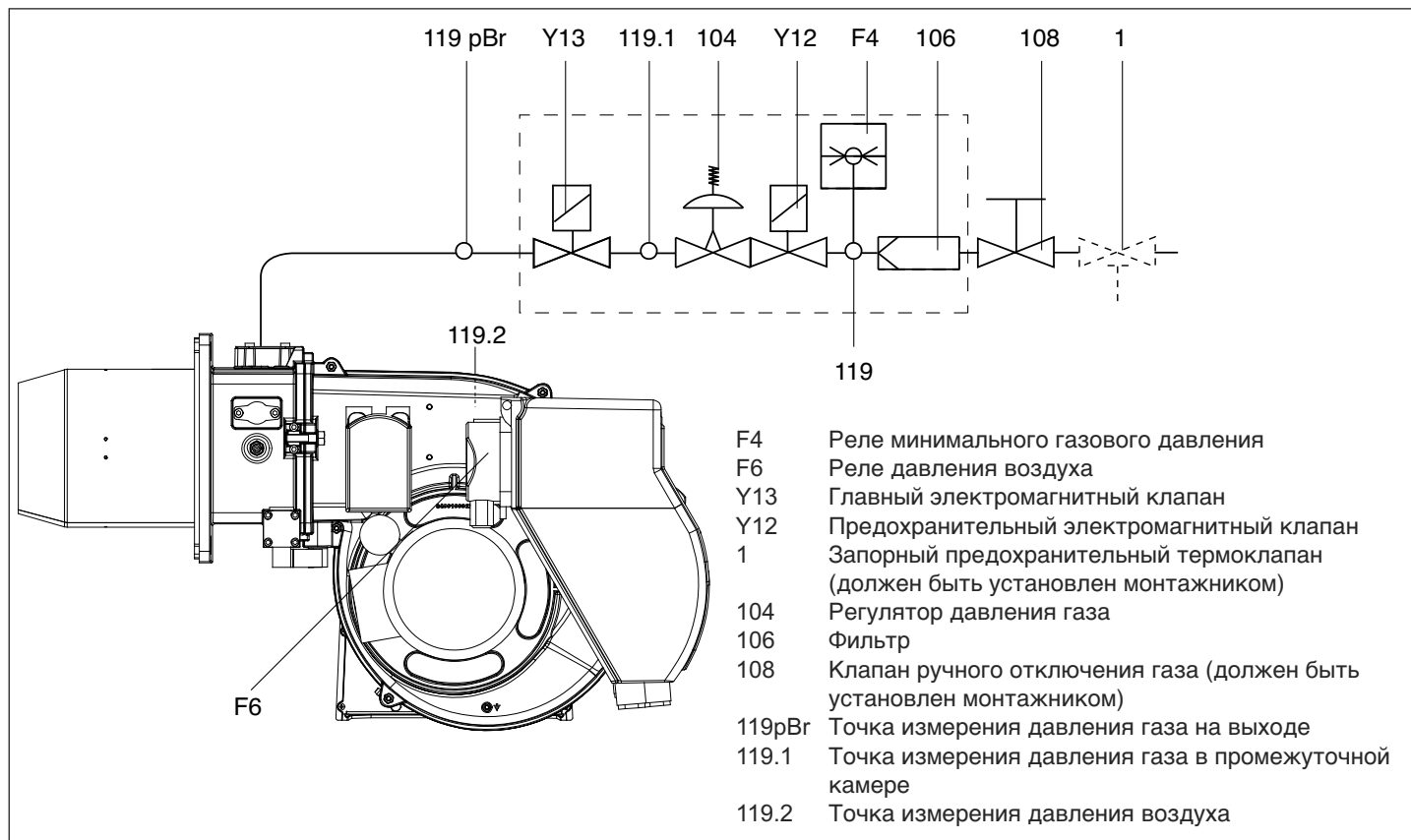
- Если при запуске горелки (пуске газа) не образовалось пламя, то по истечении предохранительного времени макс. 3 секунды газовый клапан закрывается, горелка отключается.
- В случае исчезновения пламени во время работы подача газа прекращается не позже, чем через секунду. Включается новый цикл запуска. Если горелка запускается, рабочий цикл продолжается. В противном случае происходит переход в режим безопасности.
- В случае нехватки воздуха при

предварительной вентиляции или во время работы происходит переход в режим безопасности.

- В случае нехватки газа горелка не включается и/или останавливается. За этим следует период ожидания 2 минуты. Затем производится новая попытка запуска. Если давления газа по-прежнему нет, следует еще один период ожидания 2 минуты. При этом период ожидания может быть отменен только отключением горелки от напряжения сети. Время ожидания: 3 x 2 минуты, затем 1 час.

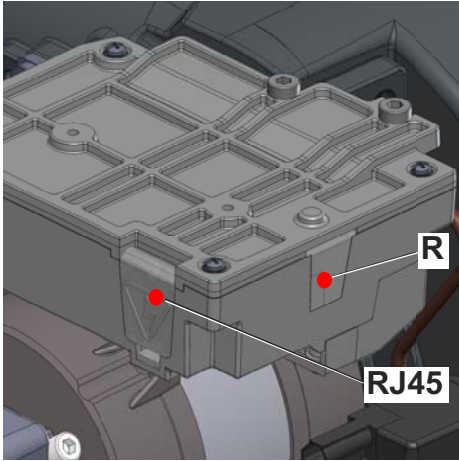
### Прекращение регулирования

- Реле регулятора температуры прерывает запрос на нагрев.
- Газовые клапаны закрываются.
- Пламя гаснет.
- Электродвигатель вентилятора останавливается.
- Горелка готова к работе.





## Функционирование - Блок управления E-BCU GAS



**R** - Кнопка сброса + светодиод сигнализации блокирования.

**RJ45** - Разъём для подключения ПК (для диагностики, поставляется отдельно).



Комплект E-BCU инструмент для диагностики (не входит в комплект поставки)

Блок управления E-BCU GAS отслеживает и управляет работой горелки с воздушным наддувом. Благодаря тому, что ход программ управляется микропроцессором, обеспечивается стабильность временных периодов, независимо от изменения напряжения электросети и окружающей температуры. Блок защищен от падения электрического напряжения. Если напряжение сети падает ниже минимального значения (170 В), блок управления выключается и подает аварийный сигнал. Как только напряжение превысит 178 В, блок

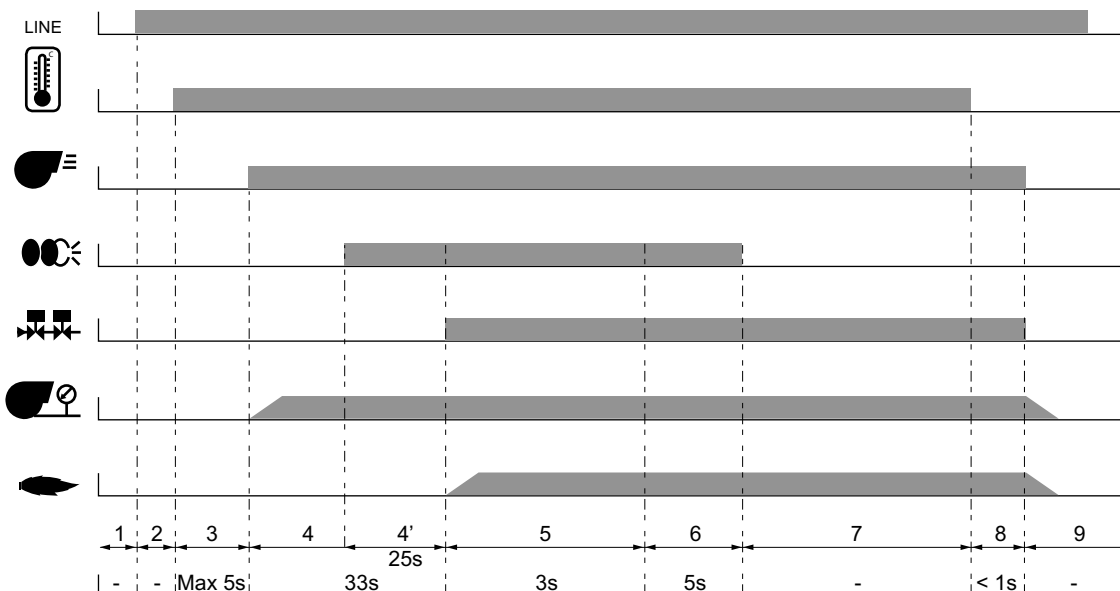
управления включается автоматически.

### Блокировка и разблокировка

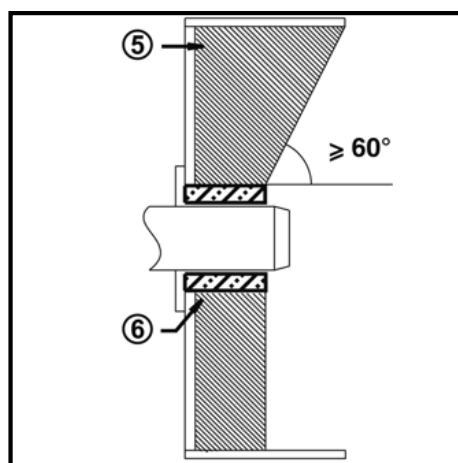
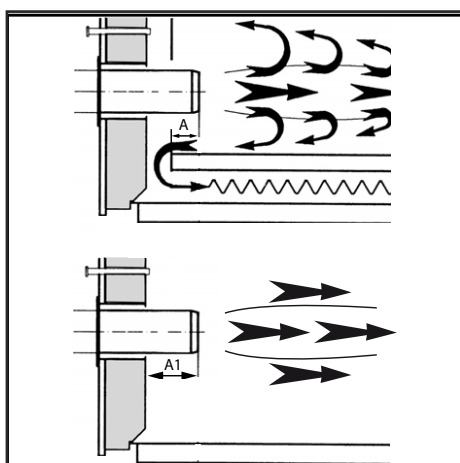
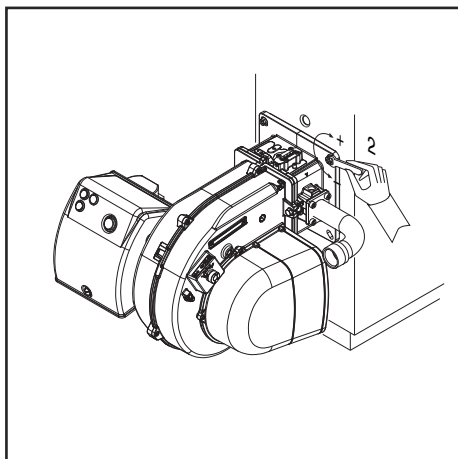
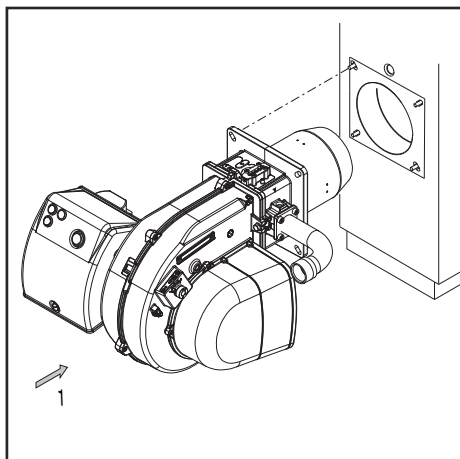
Блок может быть заблокирован (переход в режим безопасности) кнопкой разблокировки R и разблокирован (сброс неисправности) при условии, что блок находится под напряжением.

**!** Перед тем, как осуществить монтаж или демонтаж блока, отключите устройство от электропитания. Открывать блок или производить ремонтные работы запрещено!

Символ	Описание
	Ожидание запроса на нагрев котла
	Газовый клапан
	Ожидание включения реле давления воздуха при пуске
	Питание электродвигателя
	Подача напряжения на устройство розжига
	Пламя присутствует



## Установка - Установка горелки

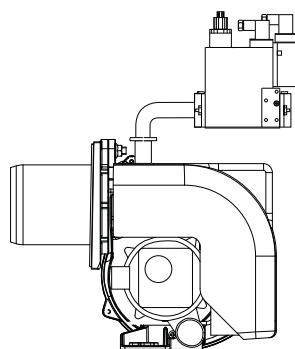


### Линия газоснабжения

При установке линии газоснабжения и газовой рампы необходимо соблюдать предписания нормы EN676. Устанавливается обязательный комплект принадлежностей согласно EN676. Дополнительные принадлежности устанавливаются монтажником в соответствии с местными предписаниями.

### Предписания общего порядка для подключения газа

- Подключение газовой рампы к газовой сети должно выполняться исключительно уполномоченным квалифицированным специалистом.
- Сечение газовых труб должно быть подобрано таким образом, чтобы давление подачи газа не могло опуститься ниже предписанного значения.
- Ручной отсечной клапан (не поставляется) должен быть установлен "вверх по течению" от газовой рампы.



### Монтаж горелки

Горелка крепится к соединительному фланцу и, следовательно, к котлу. Таким образом, камера сгорания будет закрыта герметично.

### Монтаж :

- Закрепить фланец к котлу винтами.

### Демонтаж :

- Ослабить винт.
- Вытащить горелку из котла.

### Глубина установки сопла горелки и огнеупорное уплотнение

Для котлов без охлаждения передней стенки и при отсутствии других указаний со стороны производителя котла, необходимо выполнить огнеупорную вставку или теплоизоляцию (5), как показано на рисунке слева. Огнеупорная вставка не должна заходить за передний край сопла горелки, а угол ее конического скоса не должен превышать 60°. Воздушный промежуток (6) должен быть заполнен эластичным и невоспламеняемым теплоизоляционным материалом.

Для котлов при выборе глубины сопла горелки необходимо руководствоваться указаниями производителя котла.

Колонки с обратным пламенем :

A = 50-100 мм.

Колонки с тройной дымовой спиралью :

A1 = 50-100 мм.

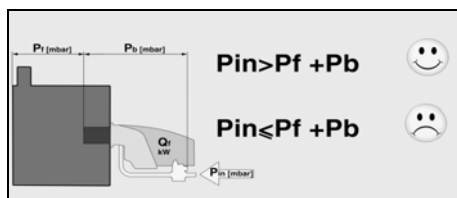
### Система отвода продуктов горения

Для предотвращения неприятного шума не рекомендуется применять для соединения котла с дымоходом соединительные детали с проходным каналом, изогнутым под прямым углом.

### ПРЕОБРАЗОВАНИЕ В СУГ

KITLPG-MAXGAS...

Для работы с СУГ необходимо приобрести комплект СУГ (Kit LPG) и установить его при соблюдении прилагаемых инструкций.



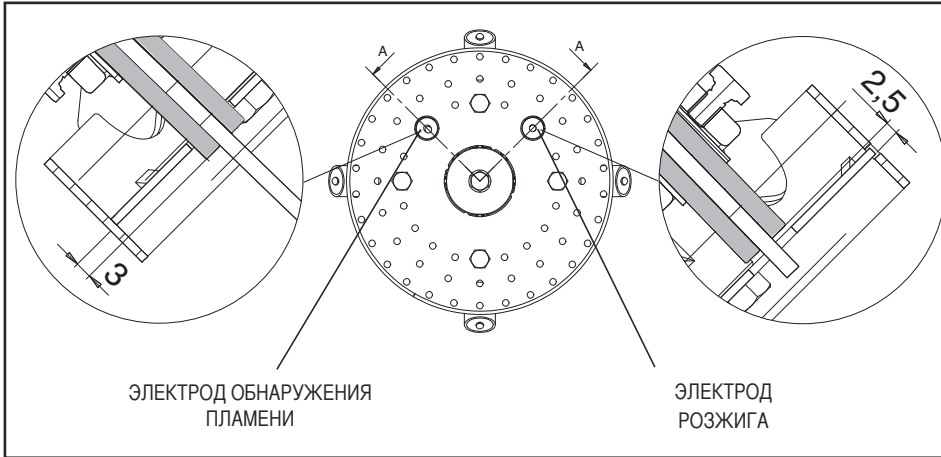
### УСЛОВНЫЕ ОБОЗНАЧЕНИЯ

Pf: Противодавление в топке.

Pb: Давление газа в горелке (головка горелки + газовая рампя).

Pin: Минимальное давление на входе.

## Установка - Подключение к электросети - Необходимые проверки перед пуском в эксплуатацию



### Положение электродов

Обязательно проверьте положение электродов после их замены или установки комплекта KIT LPG. Неправильное положение электродов может затруднить розжиг горелки.

### Проверки перед пуском в эксплуатацию

Перед первым запуском следует проверить следующее:

- Убедитесь, что горелка установлена согласно настоящей инструкции.
- Предварительная регулировка горелки выполнена правильно, согласно указанным в таблице регулировок значениям.
- Настройка компонентов системы горения
- Теплогенератор должен быть готов к работе согласно инструкции по его использованию.
- Все электрические соединения выполнены правильно.
- Теплогенератор и система отопления заполнены достаточным количеством воды. Циркуляционные насосы действуют.
- Регуляторы температуры и давления, устройство защиты от недостатка воды, а также другие предохранительные и защитные устройства, используемые на установке, правильно подсоединены и действуют.
- Вытяжная труба должна быть прочищена. Устройство для подачи дополнительного воздуха, если оно установлено, в рабочем состоянии.
- Гарантирована подача свежего воздуха.
- Получен запрос на тепло.
- Должно быть доступным достаточное давление газа.
- Топливопроводы установлены согласно техническим нормам, освобождены от воздуха и проверена их герметичность.
- Согласно существующим нормам на вытяжной трубе должна находиться точка измерения. До этого места труба должна быть герметичной для того, чтобы подсос наружного воздуха не повлиял на результаты измерений.

### Электроподключение

Электропроводка и все работы по подключению к сети должны выполняться только квалифицированным электриком. Должны выполняться действующие предписания и директивы. Установка электропитания должна быть оснащена дифференциальным выключателем типа А.

### Строго соблюдать действующие предписания и директивы, помимо электросхемы, поставляемой с горелкой!

- Убедитесь, что напряжение электропитания соответствует указанному рабочему напряжению в электросхеме и на шильдике горелки.
- Плавкий предохранитель : 5 А

### Подключение разъемами

Горелка должна отключаться от сети с помощью многополюсного выключателя, соответствующего действующим стандартам. Горелка и теплогенератор (котел) соединяются между собой посредством семиконтактного штекера (1).

### Подключение газовой рампы

Выполните подключение газовой рампы при помощи разъемов, установленных на горелке.

### Горелки производятся с соединениями, предназначенными для трехфазного электропитания 400В.

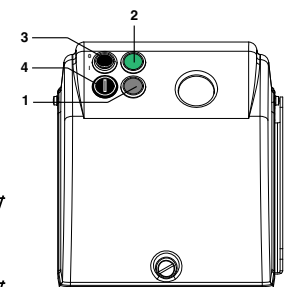
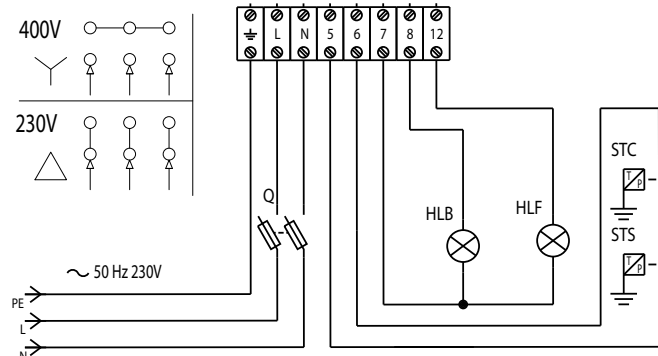
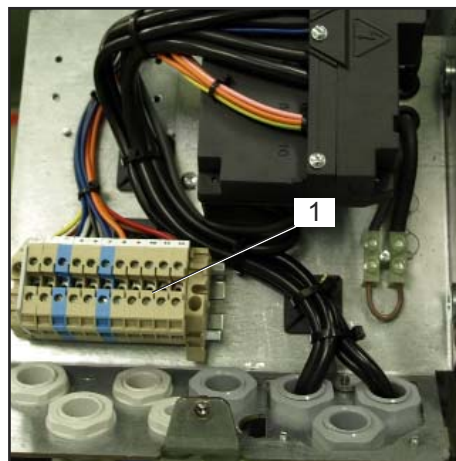
Горелки с электродвигателями мощностью 3 кВт или менее могут быть адаптированы под 220-230В (пожалуйста, следуйте инструкции на обратной стороне); электродвигатели большей мощности могут работать только при трехфазном электропитании 380-400В.

Если требуемое исполнение горелки отличается от вышеупомянутого стандарта, рекомендуется сделать отдельное примечание при заказе.

### Инструкция: как адаптировать электродвигатели мощностью 3 кВт или менее под электропитание 220-230В

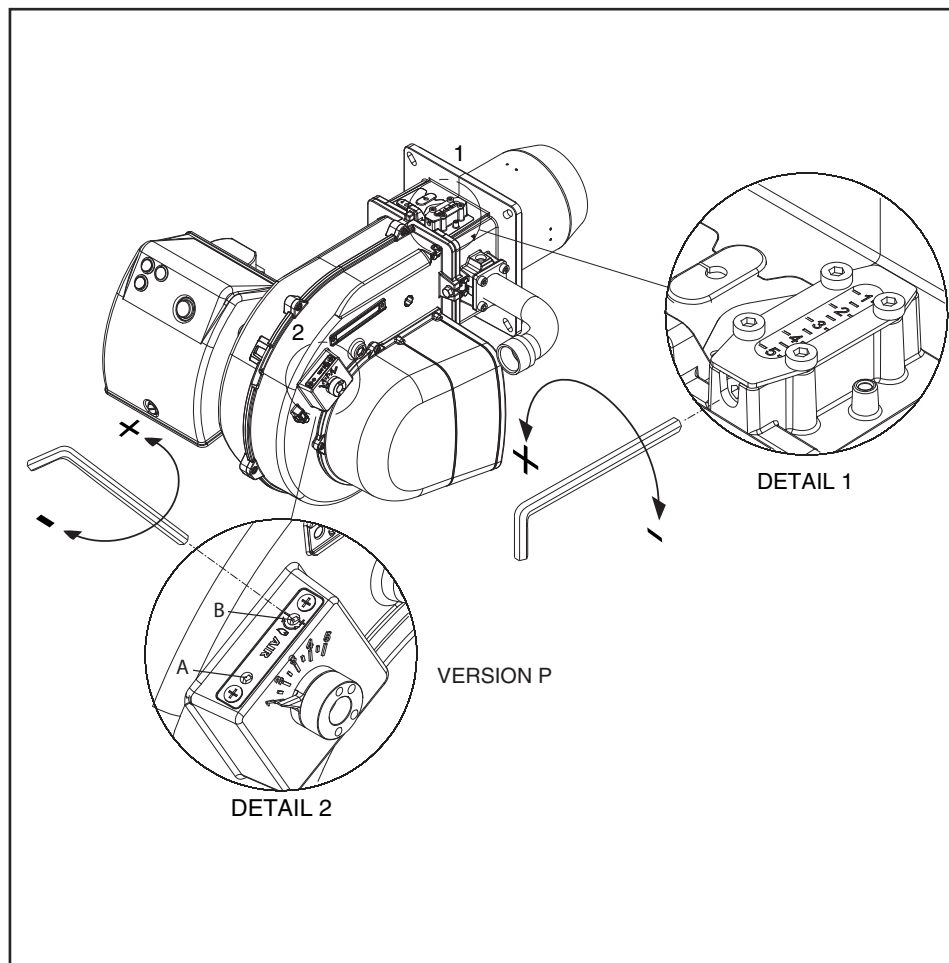
Напряжение горелки можно изменить путем следующих действий:

1. Изменить соединение внутри клеммной коробки двигателя со "звезды" на соединение треугольником (см. рисунок);
  2. Изменить настройку термореле в соответствии со значениями, указанными на шильдике двигателя.
- Если необходимо, замените термореле другим, с подходящей шкалой. Вышеуказанные действия невозможны для электродвигателей мощностью выше 3 кВт. Для более подробной информации, пожалуйста, свяжитесь с Ecoflam.



- 1 - кнопка перезапуска
- 2 - лампочка рабочего
- 3 - кнопка перезапуска
- 4 - предохранитель

## Ввод в эксплуатацию - Регулировка горелки



### Регулировка максимальной мощности:

- установить воздушную заслонку на максимальное открытие (полож. 4). (только при очень низких выходных мощностях, если не достаточно уменьшение воздуха, выполненного с головкой в положении 1, уменьшить открытие воздушной заслонки).
- произвести дозировку воздуха, перемещая огневую головку (рисунок) в соответствии с запрашиваемой мощностью (как пример на рисунке).
- произвести дозировку газа, регулируя газовую рампу (см. рисунок в руководстве по рампе).

### Регулировка огневой головки (1).

Повернуть винт, как на рисунке:

- повернуть гаечным ключом до достижения желаемой величины (показатель 1-5).



**Опасность вспышки!** Постоянно контролируйте содержание CO, CO<sub>2</sub> и сажи в отходящих газах в процессе регулировки. В случае образования CO оптимизируйте значения горения. Содержание CO не должно превышать 50 промилле.

## Ввод в эксплуатацию - Регулировка горелки

### Диаграммы давления газа, приведённые в приложении

Минимально необходимое давление газа указано на схемах в приложении. Эти величины были получены в наших испытательных лабораториях и используются при запуске горелки, регулировка должна проверяться с помощью газового анализатора.

### Как читать диаграммы и регулировать горелку:

- определите требуемую мощность.
- определите противодавление в

топочной камере.

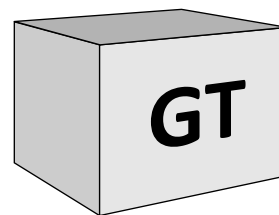
- найдите минимально необходимое давление газа на схемах в приложении.

### Оптимизация характеристик горения

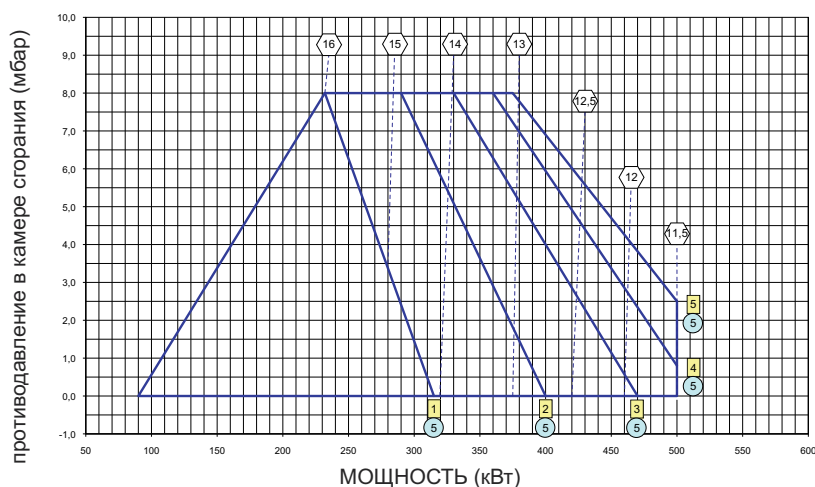
Заводская калибровка должна быть изменена в зависимости от требуемой мощности. Диаграммы калибровки заслонки/головки найдёте в приложении.

### Регулировка газового клапана

Отрегулируйте газовые клапаны в соответствии с инструкциями руководства по эксплуатации газовой горелки.



ПРИМЕР ПРЕДВАРИТЕЛЬНОЙ КАЛИБРОВКИ MAX GAS 500 P



**Внимание!** Соблюдайте минимальную необходимую температуру дымовых газов, следуя указаниям производителя котла и принимая во внимание тип вытяжных труб, чтобы избежать эффекта конденсации.

- давление газа в головке, измеренное на соединительной газовой трубе (мбар)
- положение головки
- положение заслонки воздуха

**Предупреждение:** величины предварительной калибровки определены на камерах сгорания для испытаний EN676 в идеальных условиях, и полезны при первом розжиге, но должны будут быть проверены и откорректированы с калибровкой для каждой отдельной установки.

### пример на рисунке:

Требуемая мощность от генератора 380 кВт. Предусмотренное давление в камере сгорания 3,5 мбар. Положение огневой головки : 2,5 (от 2 до 3). Давление газа в головке: 13 мбар.

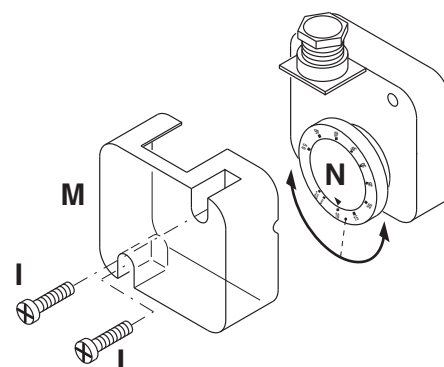
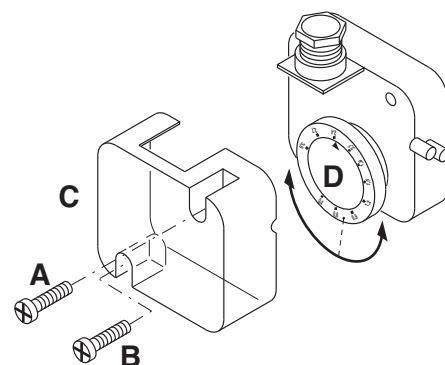
## Ввод в эксплуатацию - Регулировка реле давления воздуха и газа

### Регулировка реле давления воздуха

Реле давления воздуха контролирует давление воздуха для горения. Отвинтить винты **A** и **B** и снять крышку **C**. После настройки воздуха и газа, во время работы горелки медленно повернуть рукоятку **D** по часовой стрелке до блокировки горелки. Отметьте значение, указанное на рукоятке, понизив его на 15%.

Установить на место крышку **C** и затянуть винты **A** и **B**.

**ВНИМАНИЕ** : Реле давления позволяет предотвратить падение давления воздуха ниже 85% от установленной величины, избегая таким образом превышения содержания CO в отходящих газах более 1%(10000 промилле).



### Регулировка реле минимального давления газа

Функция реле минимального давления газа - следить за тем, чтобы давление газа перед газовым клапаном было не ниже минимального, при котором горелка работает нормально. Отвинтить винты **I** и **L** и снять крышку **M**. Установить рукоятку **N** на значение, равное 60% от номинального давления газа (например, при номинальном давлении метана 20 мбар рукоятка устанавливается на значение 12 мбар; для сжиженного газа с номинальным давлением 30/37 мбар рукоятка устанавливается на значение 18 мбар). Установить на место крышку **M** и затянуть винты **I** и **L**.

### Контроль функционирования

Контроль пламени должен быть выполнен как в случае первого запуска, так и после технического обслуживания или после длительного периода бездействия системы.

- Тест запуска с закрытым газовым краном:  
блок управления должен сигнализировать сбой по причине нехватки газа или перейти в режим блокировки по окончании предохранительного времени.

## Сервис - Работы по техническому обслуживанию

Работы по техническому обслуживанию котла и горелки должны выполняться только специалистом-теплотехником. Для обеспечения регулярного обслуживания пользователю рекомендуется заключить договор на техническое обслуживание.

техническому обслуживанию и очистке отключите электропитание.

- Жаровая труба и ее компоненты могут быть горячими.

### Проверка температуры отходящих газов

- Регулярно проверяйте температуру отходящих газов.

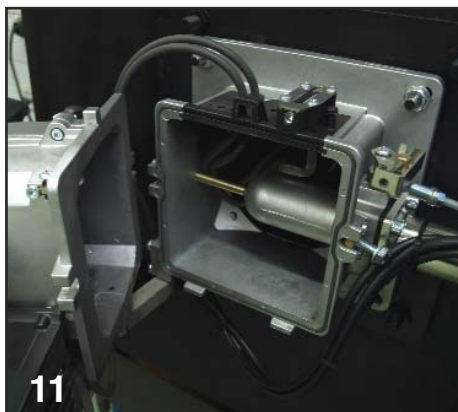
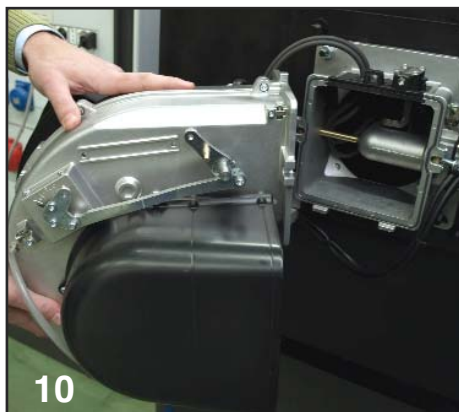
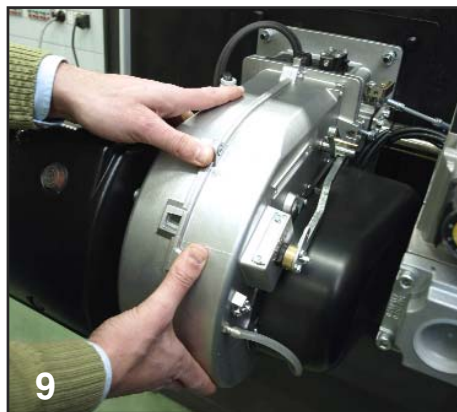
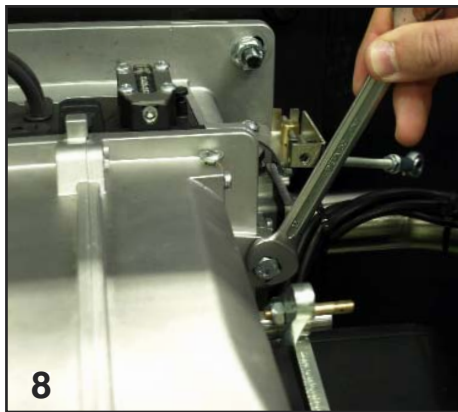
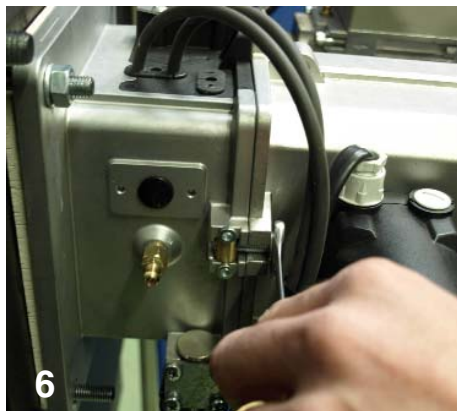
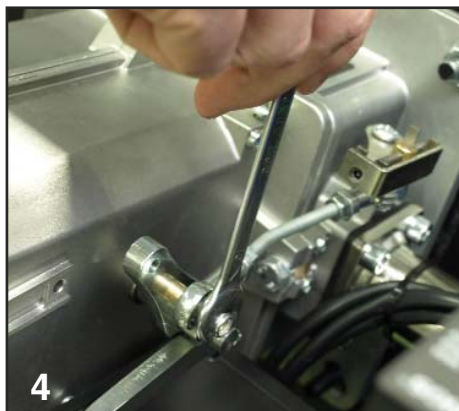
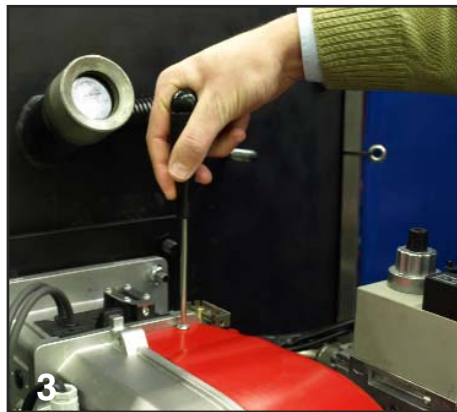
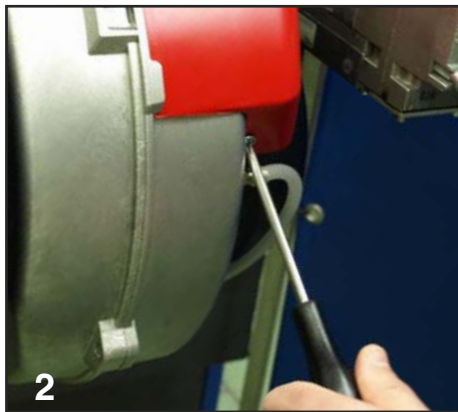
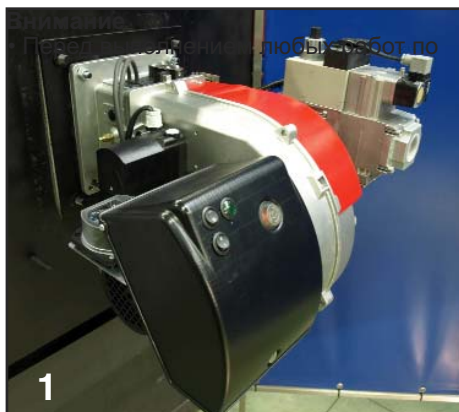
- Выполняйте очистку котла, если

температура продуктов сгорания более чем на 30° С превышает значение температуры, измеренное при пуске горелки в эксплуатацию.

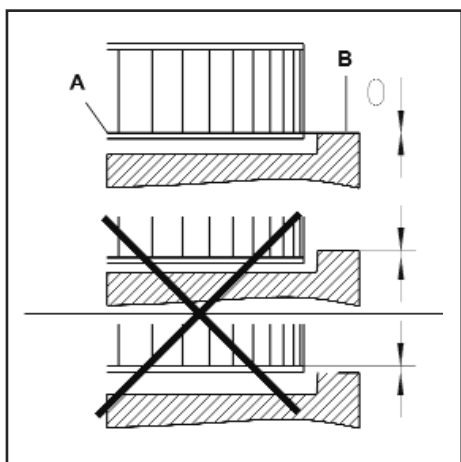
- С целью упрощения контроля установите дисплей для визуализации температуры отходящих газов.

### Удаление стрельбы головы

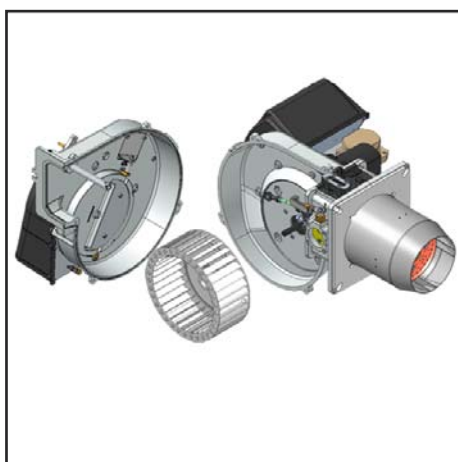
- Смотрите фотографии в порядке.



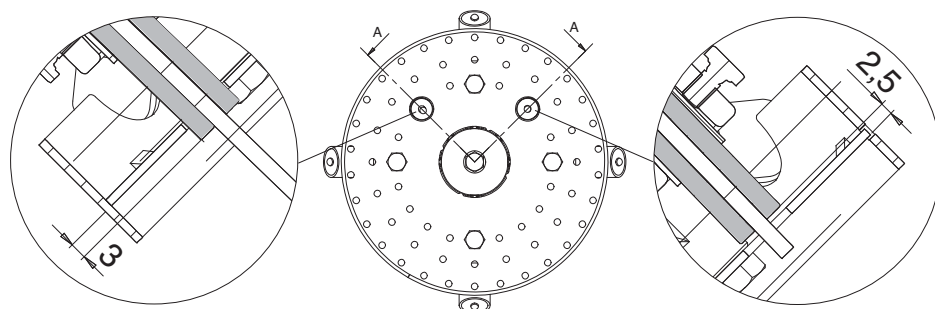
## Сервис - Работы по техническому обслуживанию

**Монтаж вентилятора**

При замене электродвигателя или рабочего колеса вентилятора сверяйтесь с приведенной выше схемой установки. Внутренняя сторона А фланца рабочего колеса должна быть на одном уровне с панелью В. Вставьте линейку между лопатками рабочего колеса и приведите элементы А и В к одному уровню, затяните винт без головки на рабочем колесе вентилятора (положение техобслуживания 1).

**Техобслуживание горелки**

- Все компоненты системы подачи топлива (шланги, трубопроводы) и их соединения должны быть проверены (герметичность, износ) и, при необходимости, заменены.
- Проверьте все электрические подключения и кабели, при необходимости замените их.
- Проверьте состояние газового фильтра, очистите или замените его.
- Проверьте рабочее колесо вентилятора и корпус и убедитесь, что они не повреждены.
- Проверьте и очистите головку горелки.
- Проверьте электроды поджига, при необходимости отрегулируйте или замените их.
- Запустите горелку, проверьте параметры горения и, при необходимости, откорректируйте регулировки горелки.
- Проверьте настройку реле давления воздуха и реле давления газа.
- Проверьте регулировку газовой рампы.
- Проверьте работу горелки.





## Сервис - Возможные неполадки

### Причины неисправностей и способы их устранения

При сбое в работе должны быть проверены нормальные условия для работы горелки:

1. Есть электрический ток?
2. Есть давление газа?
3. Газовый кран открыт?
4. Правильно ли настроены все регулирующие и предохранительные устройства, такие как термостат котла, датчик уровня воды, электрические концевые выключатели?

Если неисправность сохраняется, используйте таблицу ниже.

Компоненты системы безопасности не подлежат ремонту; они должны

заменяться компонентами с тем же артикулом.

### Используйте только оригинальные запасные части.

#### Примечание: после проведения любых работ:

- выполните проверку параметров горения в реальных условиях эксплуатации (дверцы закрыты, кожух установлен и т. д.).
- запишите результаты в соответствующие документы

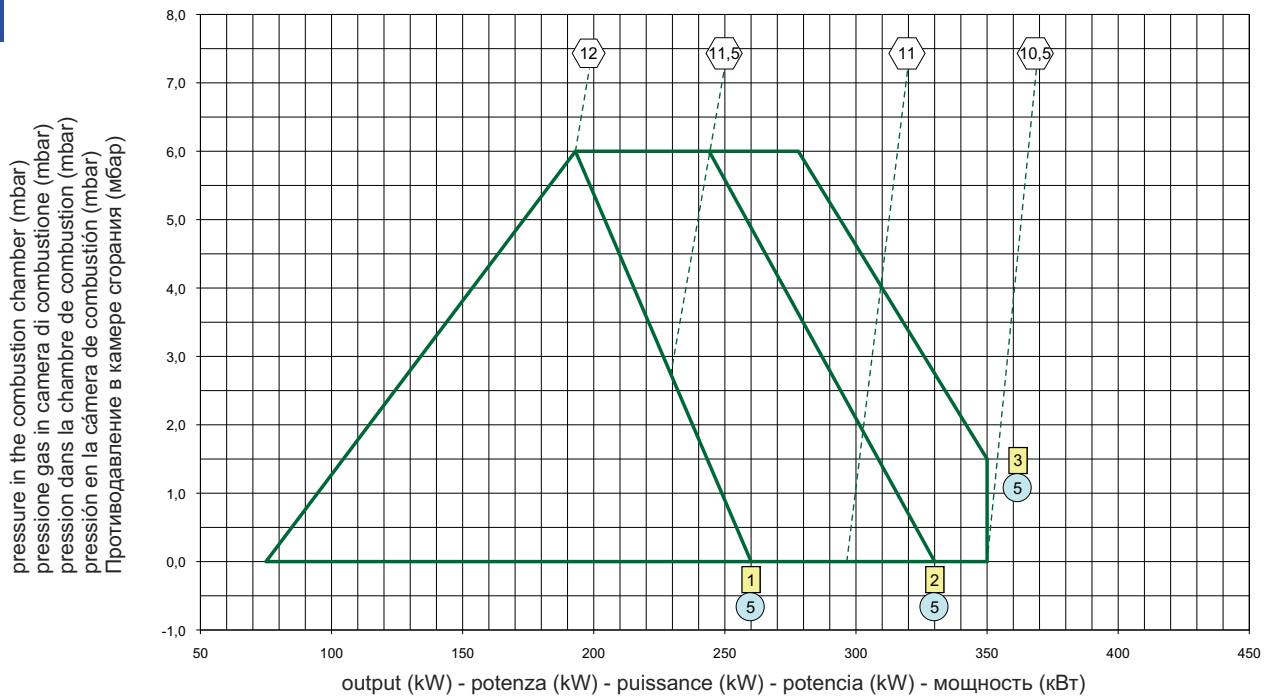
**Диагностический инструмент E-BCU должен быть использован персоналом, выполняющим техническое обслуживание, с целью определения неисправности горелки.**



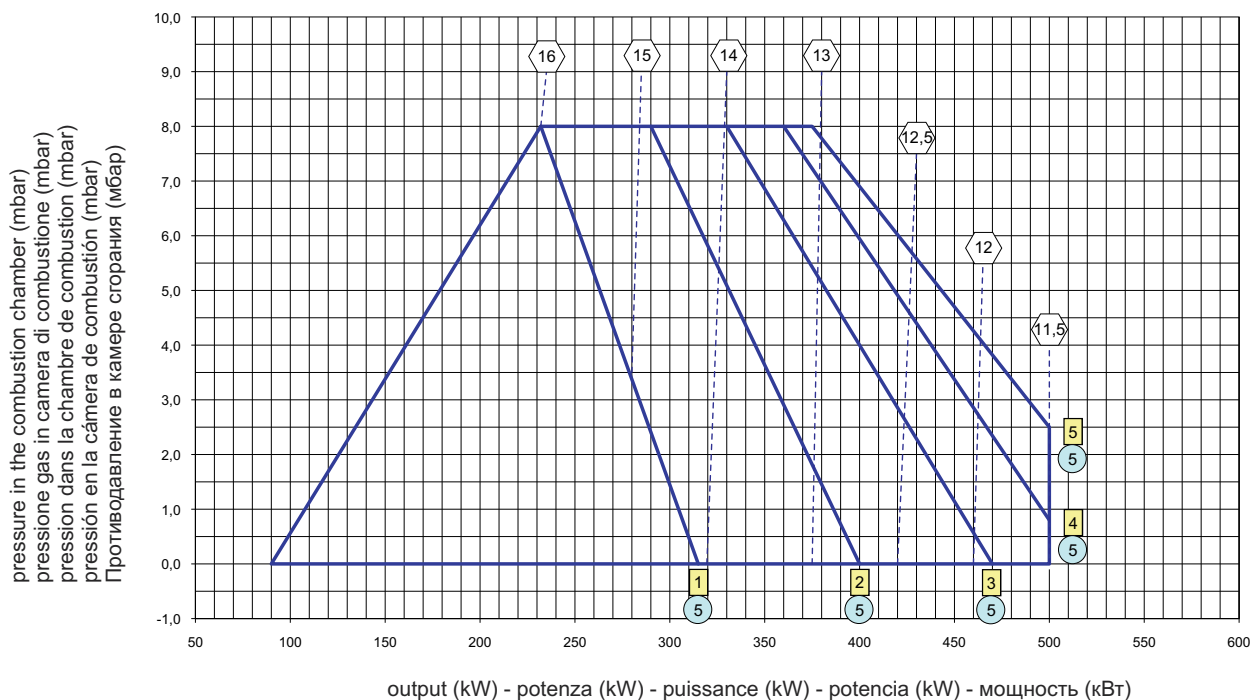
Символ	Состояния	Причины	Способ устранения
	Нет запроса на тепло	Термостаты неисправны или не настроены	Отрегулируйте или замените термостаты
	Напряжение питания ниже минимально необходимого значения.	Понижение напряжения электропитания или его отсутствие. Неисправность блока.	Проверьте причину понижения напряжения или его отсутствия. Замените блок.
	При подаче напряжения горелка запускается на очень короткое время и выключается, включение индикатора блокирования	Блок управления заблокирован вручную.	Разблокируйте блок.
	Горелка не запускается.	Реле давления воздуха: не находится в рабочем положении. Неправильная настройка. Залипание контакта.	Осуществите новую регулировку реле давления. Замените реле давления.
	Горелка не запускается. Низкое давление газа.	Недостаточное давление газа. Реле давления газа не настроено или неисправно.	Проверьте газопроводы. Очистите фильтр. Проверьте реле давления газа или замените компактный газовый блок.
	Вентилятор горелки запускается. Горелка не запускается.	Реле давления воздуха: контакт не замыкается.	Проверьте датчик давления (попадание инородных тел) и электропроводку.
	Вентилятор горелки запускается. Горелка не запускается.	Ложный сигнал пламени во время предварительной вентиляции или предварительного розжига.	Проверьте клапан. Проверьте систему отслеживания пламени.
	Горелка запускается, происходит розжиг, затем следует аварийное отключение.	<ul style="list-style-type: none"> <li>- Отсутствие пламени к концу времени безопасности.</li> <li>- Расход газа плохо отрегулирован.</li> <li>- Неисправность в цепи контроля пламени.</li> <li>- Нет запальной искры</li> <li>- Короткое замыкание одного или нескольких электродов</li> <li>- Кабель или кабели розжига повреждены или неисправны</li> <li>- Неисправно устройство розжига</li> <li>- Блок управления и безопасности</li> <li>- Электромагнитные клапаны не открываются</li> <li>- Блокировка клапанов</li> </ul>	<ul style="list-style-type: none"> <li>- Отрегулируйте расход газа</li> <li>- Проверьте состояние и положение датчика ионизации относительно "массы".</li> <li>- Проверьте состояние и соединения ионизационной цепи (кабель или кабели и измерительные мосты).</li> <li>- Отрегулируйте электрод или электроды, очистите или замените их.</li> <li>- Подключите или замените кабель или кабели.</li> <li>- Замените устройство розжига</li> <li>- Замените блок управления</li> <li>- Проверьте электропроводку блока управления и внешних компонентов</li> <li>- Замените компактный газовый блок</li> <li>- Замените клапаны</li> </ul>
	Неисправность системы контроля пламени во время работы.	<ul style="list-style-type: none"> <li>- Реле давления воздуха: контакт размыкается при запуске или во время работы.</li> <li>- Сбой пламени во время работы.</li> </ul>	Отрегулируйте или замените реле давления Проверьте цепь ионизационного зонда. Проверьте или замените блок управления.

**Overview - Gas pressure diagrams / Panoramica - Diagrammi di pressione gas / Vue d'ensemble - Diagrammes de pression gaz / Descripción - Diagramas de presión de gas / Обзор - Диаграммы давления газа**

MAX GAS 350 P NATURAL GAS / LPG



MAX GAS 500 P NATURAL GAS



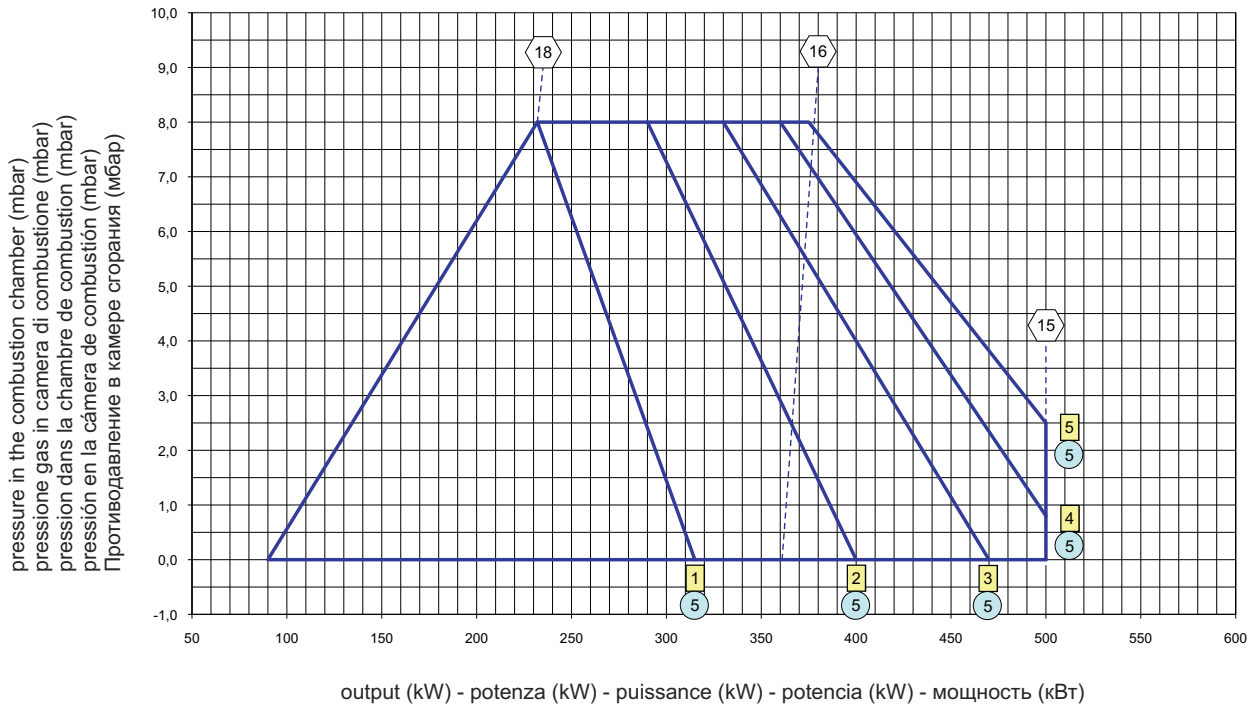
head gas pressure (on elbow) (mbar)  
pressione gas in testa misurata sulla curva (mbar)  
pression gaz en tête mesurée sur la courbe (mbar)  
presión de gas en la cabeza medida a la recta (mbar)  
давление газа в головке, измеренное в соединительной газовой трубе (мбар)


head position  
posizione testa  
position tête  
posición de la cabeza  
положение головки


air damper position  
posizione serranda aria  
position du registre d'air  
posición de la compuerta de aire  
положение заслонки воздуха


**Overview - Gas pressure diagrams / Panoramica - Diagrammi di pressione gas / Vue d'ensemble - Diagrammes de pression gaz / Descripción - Diagramas de presión de gas / Обзор - Диаграммы давления газа**

MAX GAS 500 P LPG

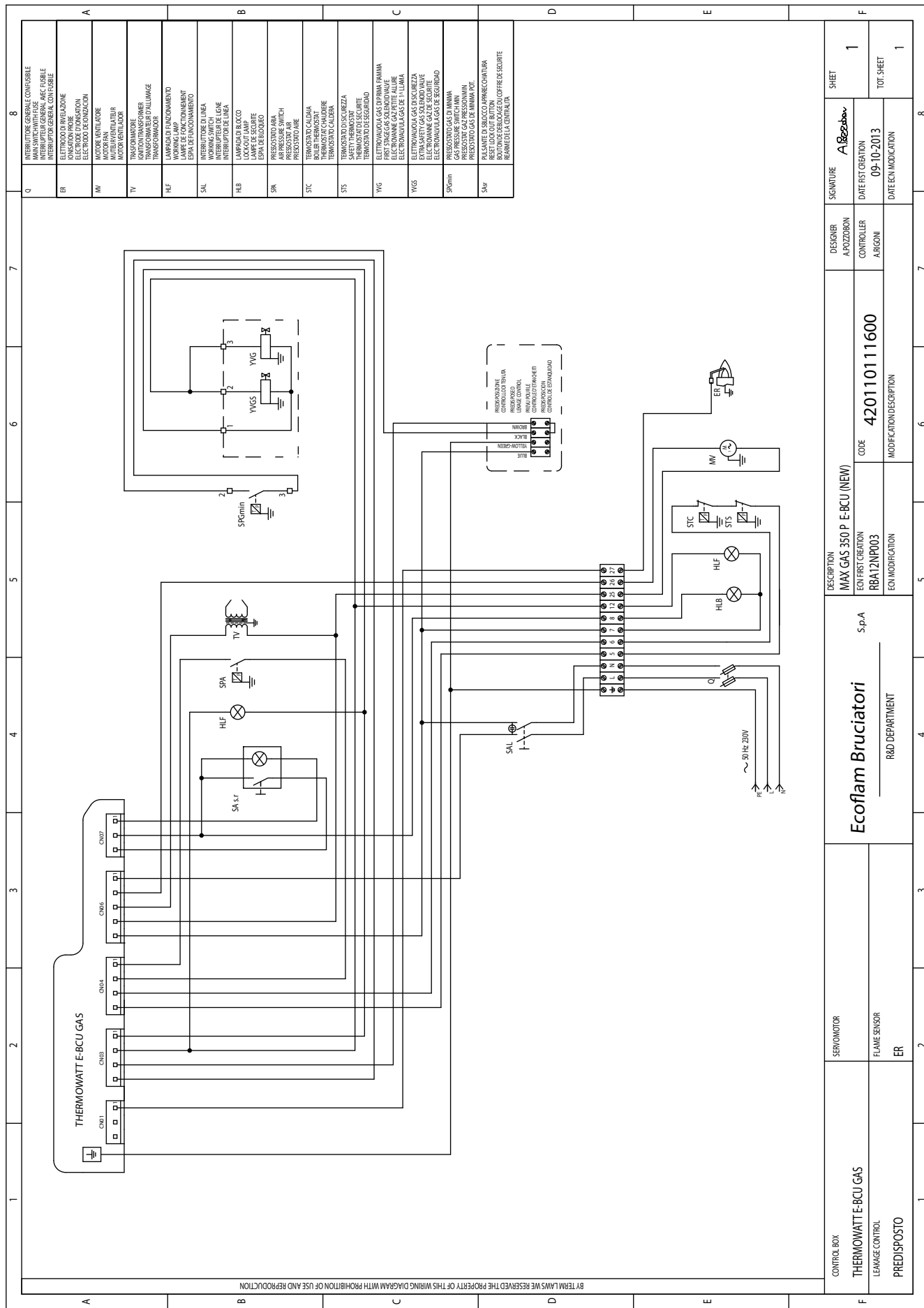


 head gas pressure (on elbow) (mbar)  
 pressione gas in testa misurata sulla curva (mbar)  
 pression gaz en tête mesurée sur la courbe (mbar)  
 presión de gas en la cabeza medida a la recta (mbar)  
 давление газа в головке, измеренное в соединительной газовой трубе (мбар)

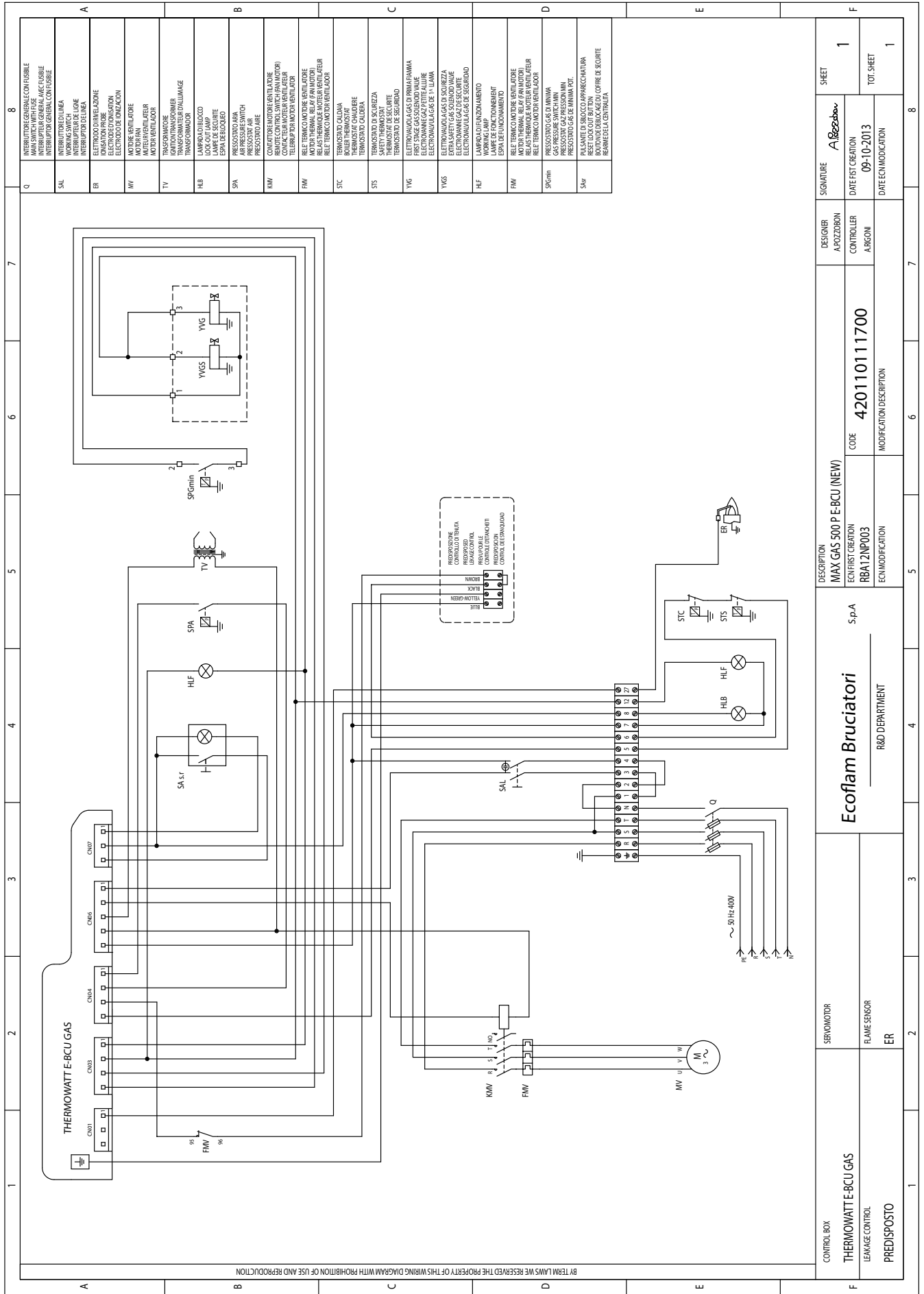
 head position  
 posizione testa  
 position tête  
 posición de la cabeza  
 положение головки

 air damper position  
 posizione serranda aria  
 position du registre d'air  
 posición de la compuerta de aire  
 положение заслонки воздуха

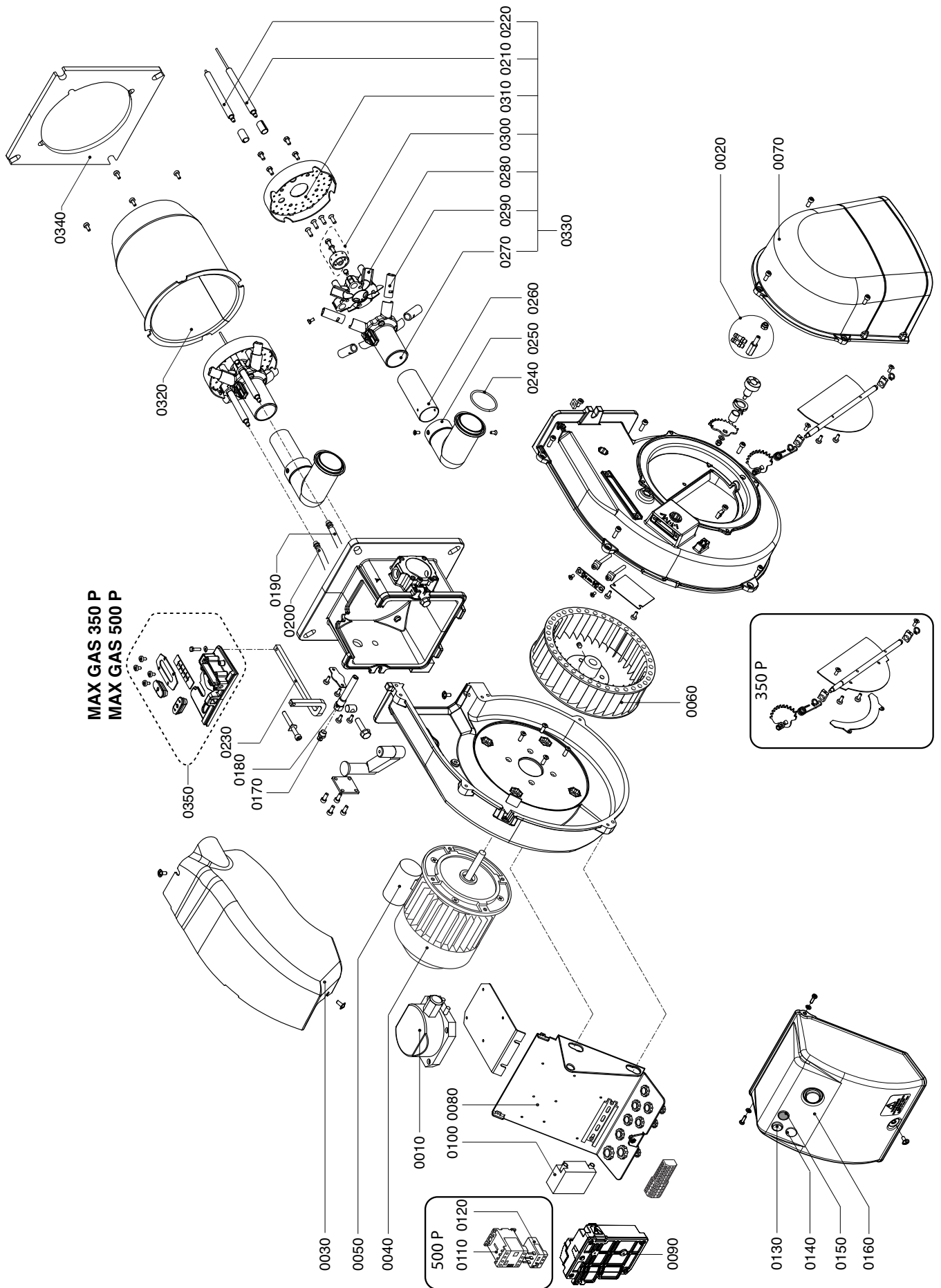
Overview - Electric diagrams / Panoramica - Schemi elettrici / Vue d'ensemble - Schémas électrique / Descripción - Esquemas eléctrico /  
Обзор - Электрические схемы



Overview - Electric diagrams / Panoramica - Schemi elettrici / Vue d'ensemble - Schémas électrique / Descripción - Esquemas eléctrico /  
Обзор - Электрические схемы



Overview - Spare parts list / Panoramica - Parti di ricambio / Vue d'ensemble - Pièces de rechange / Descripción - Piezas de recambio /  
Обзор - Запчасти



## Overview - Spare parts list / Panoramica - Parti di ricambio / Vue d'ensemble - Pièces de rechange / Descripción - Piezas de recambio / Обзор - Запчасти

N°	DESCRIPTION	DESIGNATION	DESCRIPCION	НАИМЕНОВАНИЕ	MAX GAS 350 P code	MAX GAS 500 P code
0010	AIR PRESSURE SWITCH	PRESSOSTATO ARIA	PRESSOSTATO AIRE	РЕЛЕ ДАВЛЕНИЯ ВОЗДУХА	65323027	65323027
0020	AIR INTAKE SET	GRUPPO PRESE ARIA	SET DE PRISES D'AIR	НАПЛЕЛИ ЗАМЕРА ДАВЛЕНИЯ В КОМП.	65325211	65325211
0030	BURNER COVER	COFANO	COUVERCLE DU BRULEUR	КОЖУХ	65324704	65324704
0040	MOTOR	MOTORE	MOTEUR	ДВИГАТЕЛЬ	65324698	65324698
0050	CAPACITOR	CONDENSATORE	CONDENSATEUR	КОНДЕНСАТОР	65321855	65321855
0060	FAN	VENTOLA	VENTILATEUR	РАБОЧЕЕ КОЛЕСО ВЕНТИЛЯТОРА	65324709	65324709
0070	AIR INTAKE	CUFFIA	VOLET D'AIR	ВОЗДУХОЗАБОР	65324870	65324870
0080	SUPPORTO	SUPPORT	SUPPORT	ДЕРЖАТЕЛЬ БЛОКА УПРАВЛЕНИЯ	-	-
0090	CONTROL BOX	APPARECCHIATURA DI CONTROLLO	COFFRET DE SECURITE	БЛОК УПРАВЛЕНИЯ	65325753	65325753
0100	IGNITION TRANSFORMER	TRASFORMATORE	TRANSFORMATEUR D'ALLUMAGE	ТРАНСФОРМАТОР	65323258	65323258
0110	REMOTE CONTROL SWITCH	CONTATTORE	TELEURTEUR	ДИСТАНЦИОННЫЙ ПУСКАТЕЛЬ	65323138	65323138
0120	MOTOR THERMAL RELAY	RELE TERMICO	RELAIS THERMIQUE	ТЕПЛОВОЕ РЕЛЕ ДВИГАТЕЛЯ	65323098	65323098
0130	MAIN SWITCH	INTERRUTTORE DI LAVORO	INTERRUPTEUR DE TRAVAIL	ГЛАВНЫЙ ВЫКЛЮЧАТЕЛЬ	65324696	65324696
0140	STOPPER	TAPPO	JE BOUCHE	ЗАТВОР	65324279	65324279
0150	LAMP	LAMPADA	LAMPE	ДИСПЛЕЙ	65324695	65324695
0160	COVER	COPERCHIO	COUVERCLE	КРЫШКА	65324705	65324705
0170	PRESSURE PORT	PRESA PRESSIONE	PRISE DE PRESSION	ПОРТ ДАВЛЕНИЯ	65323053	65323053
0180	PRESSURE PORT SUPPORT	SUPPORTO PRESA PRESSIONE	SUPPORT PRISE DE PRESSION	ПОРТ ДАВЛЕНИЯ ПОДДЕРЖКИ	65324691	65324691
0190	IONIZATION CABLE	CAVO DI RIVELAZIONE	CABLE D'IONISATION	КАБЕЛЬ ИОНИЗАЦИИ	65320946	65320946
0200	IGNITION CABLE	CAVO DI ACCENSIONE	CABLE D'ALLUMAGE	КАБЕЛЬ РОЗЖИГА	65320947	65320947
0210	IONIZATION PROBE	ELETTRODO DI RIVELAZIONE	SONDE D'IONISATION	ЭЛЕКТРОД ИОНИЗАЦИИ	65320950	65320950
0220	IGNITION ELECTRODE	ELETTRODO DI ACCENSIONE	ELECTRODE D'ALLUMAGE	ЭЛЕКТРОД РОЗЖИГА	65324331	65324331
0230	ROD	ASTINA REGOLAZIONE TESTA	SUPPORT TETE DE COMBUSTION	РЕГУЛИРОВОЧНЫЙ ШТОК ОГНЕВОЙ ГОЛОВКИ	65324692	65324692
0240	ORING	ORING	ORING	УПЛОТНИТЕЛЬНОЕ КОЛЬЦО	65324693	65324693
0250	HEAD SUPPORT PIPE ELBOW	CURVA TUBO SUPPORTO TESTA	COURBE TUYAUTERIE TETE	УПЛОТНИТЕЛЬНОЕ КОЛЬЦО	65324702	65324702
0260	HEAD SUPPORT PIPE	TUBO SUPPORTO TESTA	TUYAUTERIE	СОЕДИНИТЕЛЬНАЯ ГАЗОВАЯ ТРУБА	65324711	65324711
0270	FIRING HEAD	TESTA DI COMBUSTIONE	TETE DE COMBUSTION	ОГНЕВАЯ ГОЛОВКА	65324712	65324712
0280	HEAD CAP	TAPPO TESTA	CALOTTE TETE	ЗАГЛУШКА ОГНЕВОЙ ГОЛОВКИ	65324539	65324539
0290	DIFFUSER	TERMINALE DIFFUSORE	DIFFUSEUR	РАССЕКТЕЛЬ	65324713	65324713
0300	NOZZLE GROUP	GRUPPO UGELLO	GRUPE MENTONNET	ПЕРЕДНЯЯ ВСТАВКА	65324715	65324715
0310	DISC	DISCO	DISQUE	ПЕРЕДНИЙ ДИСК	65324716	65324716
0320	BLAST TUBE	BOCCAGLIO	GUEULARD	ТРУБА ЖАРОВАЯ	65324708	65324708
0330	INNER ASSEMBLY	GRUPPO TESTA	GRUPE TETE DE COMBUSTION	ОГНЕВАЯ ГОЛОВКА В СБОРЕ	65324707	65324707
0340	GASKET	GUARNIZIONE	JOINT	УПЛОТНИТЕЛЬНАЯ ПРОКЛАДКА	65324729	65324729
0350	HEAD SETTING GROUP	GRUPPO REGOLAZIONE TESTA	GRUPE REGLAGE TETE	ГРУППА УСТАВКИ ГОЛОВА	65324701	65324701
					65326006	65326006

TC = Testa corta / Short Head / Tete courte / Cabeza corta / КОРОТКАЯ ЖАРОВАЯ ТРУБА TL = Testa lunga / Long Head / Tete longue / Cabeza larga / ДЛИННАЯ ЖАРОВАЯ ТРУБА

# Ecoflam

## **Ecoflam Bruciatori S.p.A.**

Via Roma, 64 - 31023 Resana (TV) - Italy

Tel. +39 0423 719500

Fax +39 0423 719580

<http://www.ecoflam-burners.com>

e-mail: [export@ecoflam-burners.com](mailto:export@ecoflam-burners.com)

Società soggetta alla direzione e al coordinamento di Ariston Thermo S.p.A.  
Via A. Merloni, 45 - 60044 Fabriano (AN) - CF 01026940427

Ecoflam Bruciatori S.p.A. reserves the right to make any adjustments, without prior notice, which is considered necessary or useful to its products, without affecting their main features

Ecoflam Bruciatori S.p.A. si riserva il diritto di apportare ai prodotti le modifiche che riterrà necessarie o utili, senza pregiudicare le caratteristiche principali.

La maison Ecoflam Bruciatori S.p.A. se réserve le droit d'apporter les modifications qu'elle jugera nécessaires ou utiles à ses produits sans pour autant nuire à leurs caractéristiques principales

Ecoflam Bruciatori S.p.A. se reserva el derecho a introducir en sus productos todas las modificaciones que considere necesarias o utiles, sin perjudicar sus características

"Ecoflam Bruciatori S.p.A." оставляет за собой право вносить в конструкцию оборудования любые необходимые изменения без особого предупреждения.

Ecoflam Bruciatori S.p.A. behält sich das Recht vor, ohne Beeinträchtigung der wesentlichen Eigenschaften für notwendig oder sinnvoll erachtete Änderungen an den Produkten vorzunehmen.