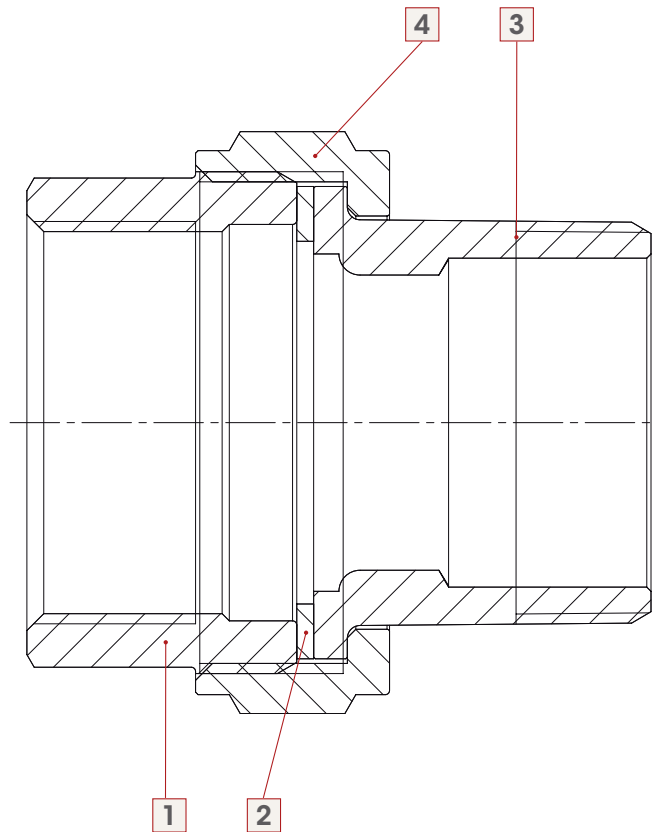


Pos.	DESCRIZIONE / DESCRIPTION	Qt.	MATERIALE / MATERIAL
1	Raccordo diritto / Straight connector	1	Ottone nichelato / Nickel-plated brass CW617N
2	Guarnizione / O-Ring	1	NBR
3	Codolo / Fitting	1	Ottone nichelato / Nickel-plated brass CW617N
4	Dado / Nut	1	Ottone nichelato / Nickel-plated brass CW617N



Pos.	DESCRIZIONE / DESCRIPTION	Qt.	MATERIALE / MATERIAL
1	Raccordo diritto a sede piana / Straight connector with flat seat	1	Ottone nichelato / Nickel-plated brass CW617N
2	Guarnizione piana / Flat seat washer	1	Fibra / Fibre
3	Codolo a sede piana / Fitting flat seat	1	Ottone nichelato / Nickel-plated brass CW617N
4	Dado / Nut	1	Ottone nichelato / Nickel-plated brass CW617N