

## 10. CM, CME and Boosters

### CM, CME

50/60 Hz

Drain plug, CM

| Pos. | Kit No          | 96932395 |     | 96932396 |
|------|-----------------|----------|-----|----------|
|      | Description     | Material | E/V | K        |
| 25   | Drain plug      | -        | 2   | 2        |
| 11   | O-ring for plug | EPDM     | 2   | -        |
|      |                 | FKM      | 2   | -        |
|      |                 | FFKM     | -   | 2        |

### Motor bearing

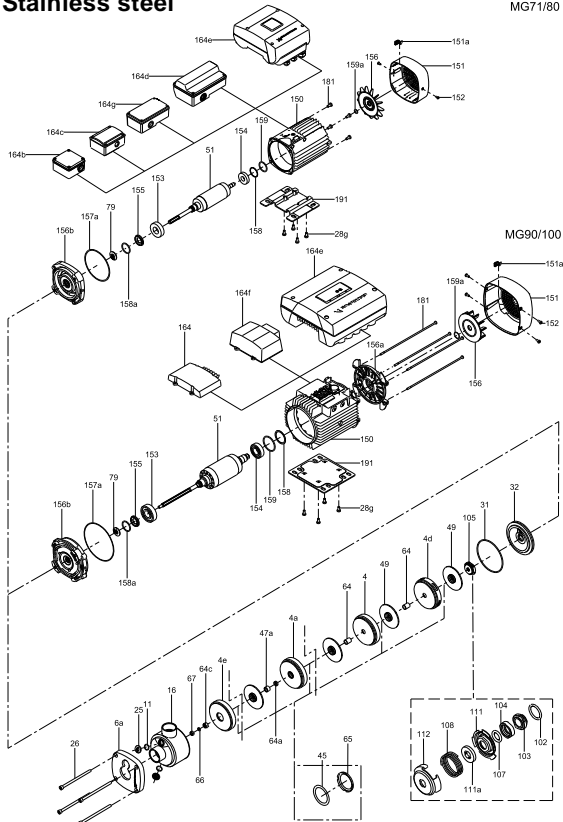
| Pos. | Motor type             | MG(E)71/80 | MG(E)90  | MG(E)100 | MG(E)112 | MG(E)132 |
|------|------------------------|------------|----------|----------|----------|----------|
|      | Kit No                 | 96932399   | 96932400 | 96932412 | 96932413 | 96932414 |
|      | Description            | All        | All      | All      | All      | All      |
| 151a | Installation indicator | 1          | 1        | 1        | 1        | 1        |
| 158  | Corrugated spring      | 1          | 1        | 1        | 1        | 1        |
| 159  | O-ring (NBR)           | 1          | 1        | 1        | 1        | 1        |
| 153  | Ball bearing           | 1          | 1        | 1        | 1        | 1        |
| 154  | Ball bearing           | 1          | 1        | 1        | 1        | 1        |
| 158a | O-ring                 | 1          | 1        | 1        | 1        | 1        |
| 155  | Bearing cover plate    | 1          | 1        | 1        | 1        | 1        |
| 79   | Diverting disc         | 1          | 1        | 1        | 1        | 1        |
| 159a | Gasket                 | 1          | 1        | 1        | 1        | 2        |

### Neck ring

| Pos. | Pump type          | CM1/3/5  | CM1/3/5  | CM10/15/25 | CM10/15/25 |
|------|--------------------|----------|----------|------------|------------|
|      |                    |          | Cold     |            | Cold       |
|      | Kit No             | 96932397 | 96932447 | 96932398   | 96932448   |
|      | Description        | All      | All      | All        | All        |
| 45   | Neck ring          | 14       | 14       | 8          | 8          |
| 65   | Neck ring retainer | 14       | 14       | 8          | 8          |

CM 1, 3, 5

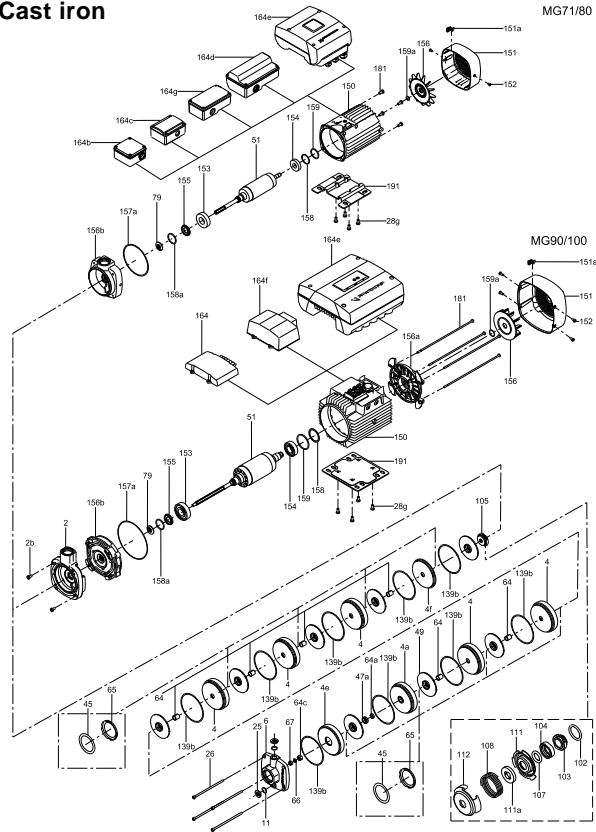
Stainless steel



MG71/80

MG90/100

Cast iron

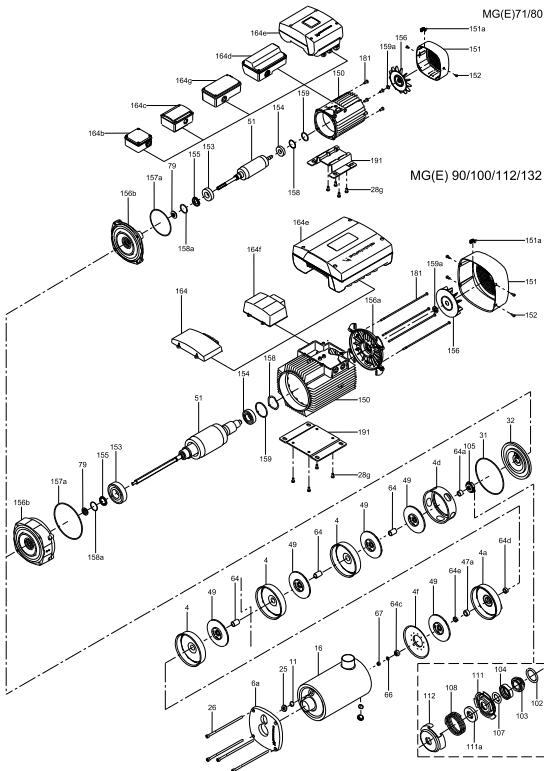


MG71/80

MG90/100

CM 10, 15, 25

Stainless steel



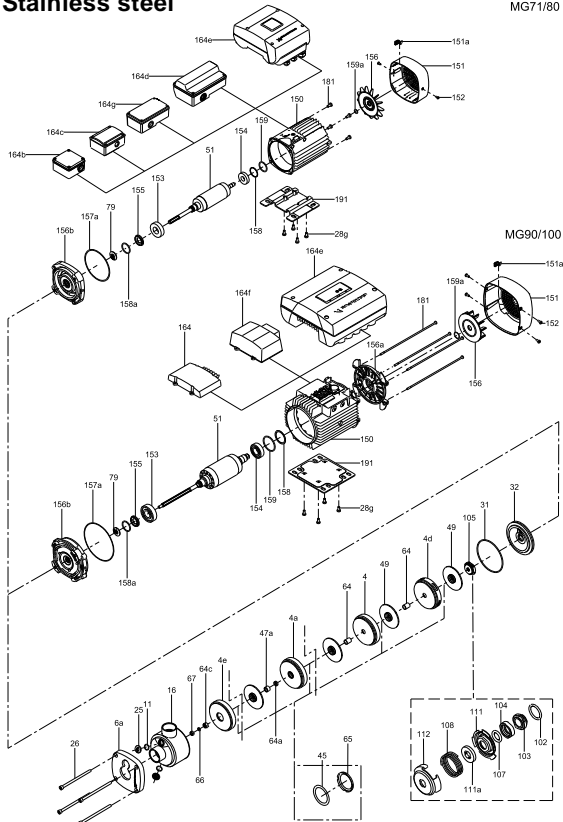
## Seal kit (A version)

| Pos. | Pump type                  |          | CM1/3/5  |          |           |          |          |
|------|----------------------------|----------|----------|----------|-----------|----------|----------|
|      | Kit No                     |          | 96932350 | 96932392 | 988219372 | 98821938 | 98092347 |
|      | Description                | Material | AVBE/V   | AQQE/V   | AUQE/V    | AQBE/V   | AQBE     |
| 102  | O-ring                     | EPDM     | 1        | 1        | 1         | 1        | 1        |
|      |                            | FKM      | 1        | 1        | 1         | 1        | -        |
| 103  | Stationary seal ring       | SIC      | -        | 1        | 1         | -        | -        |
|      |                            | Carbon   | 1        | -        | -         | 1        | 1        |
| 104  | Rotating seal ring         | SIC      | -        | 1        | -         | 1        | 1        |
|      |                            | Al2O3    | 1        | -        | 1         | -        | -        |
| 105  | O-ring                     | EPDM     | 1        | 1        | 1         | 1        | 1        |
|      |                            | FKM      | 1        | 1        | 1         | 1        | -        |
| 111  | Seal ring retainer         | -        | 1        | 1        | 1         | 1        | 1        |
| 108  | Spring                     | -        | 1        | 1        | 1         | 1        | 1        |
| 111a | Stop ring                  | -        | 1        | 1        | 1         | 1        | 1        |
| 112  | Seal driver                | -        | 1        | 1        | 1         | 1        | 1        |
| 139b | Gasket                     | -        | 10       | 10       | 10        | 10       | 5        |
| 139c | Gasket Ø144.5/D137.5 x 0.5 | -        | -        | -        | -         | -        | -        |
| 64c  | Clamp                      | -        | 1        | 1        | 1         | 1        | 1        |
| 66   | Lock washer (Nord-lock)    | -        | 1        | 1        | 1         | 1        | 1        |
| 67   | Nut                        | -        | 1        | 1        | 1         | 1        | 1        |

| Pos. | Pump type                  |          | CM10/15/25 |          |          |          |
|------|----------------------------|----------|------------|----------|----------|----------|
|      | Kit No                     |          | 96932393   | 96932394 | 98821932 | 98821933 |
|      | Description                | Material | AVBE/V     | AQQE/V   | AUQE/V   | AQBE/V   |
| 102  | O-ring                     | EPDM     | 1          | 1        | 1        | 1        |
|      |                            | FKM      | 1          | 1        | 1        | -        |
| 103  | Stationary seal ring       | SIC      | -          | 1        | 1        | -        |
|      |                            | Carbon   | 1          | -        | -        | 1        |
| 104  | Rotating seal ring         | SIC      | -          | 1        | -        | 1        |
|      |                            | Al2O3    | 1          | -        | 1        | -        |
| 105  | O-ring                     | EPDM     | 1          | 1        | 1        | 1        |
|      |                            | FKM      | 1          | 1        | 1        | -        |
| 111  | Seal ring retainer         | -        | 1          | 1        | 1        | 1        |
| 108  | Spring                     | -        | 1          | 1        | 1        | 1        |
| 111a | Stop ring                  | -        | 1          | 1        | 1        | 1        |
| 112  | Seal driver                | -        | 1          | 1        | 1        | 1        |
| 139b | Gasket                     | -        | 6          | 6        | 10       | 5        |
| 139c | Gasket Ø144.5/D137.5 x 0.5 | -        | 1          | 1        | -        | -        |
| 64c  | Clamp                      | -        | 1          | 1        | 1        | 1        |
| 66   | Lock washer (Nord-lock)    | -        | 1          | 1        | 1        | 1        |
| 67   | Nut                        | -        | 1          | 1        | 1        | 1        |

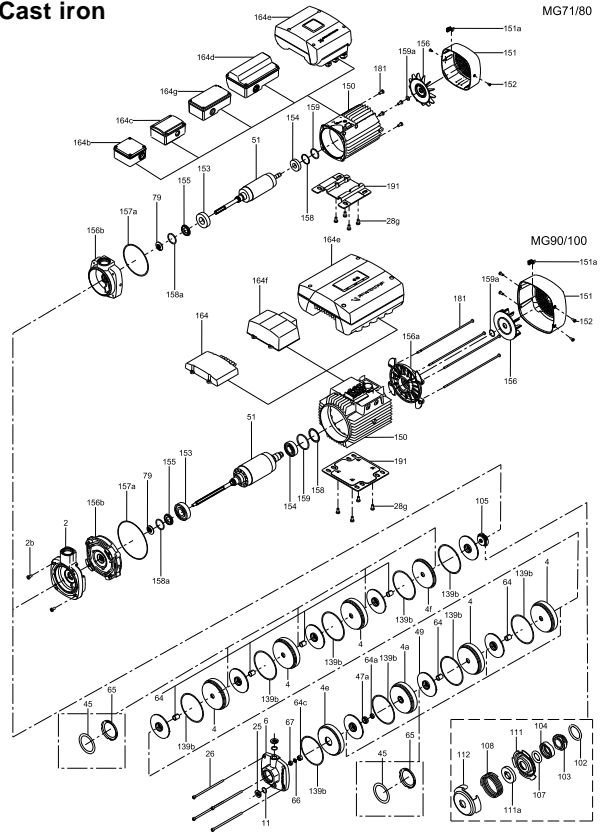
CM 1, 3, 5

Stainless steel



MG71/80

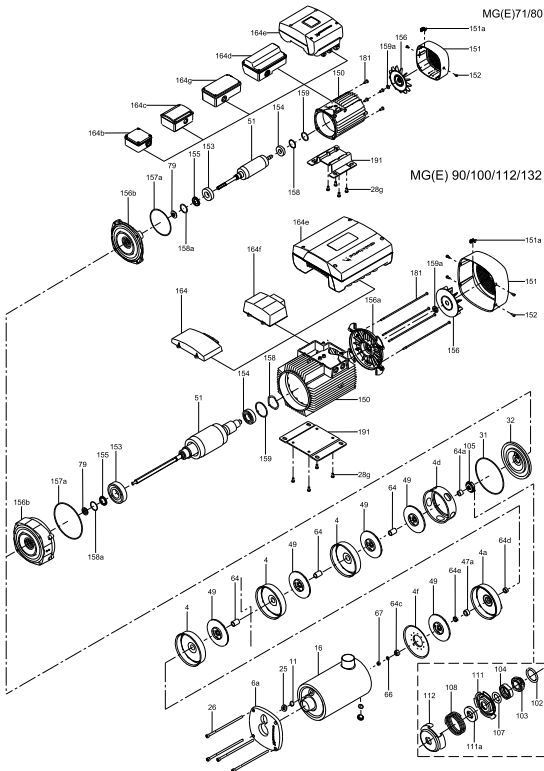
Cast iron



MG71/80

CM 10, 15, 25

Stainless steel



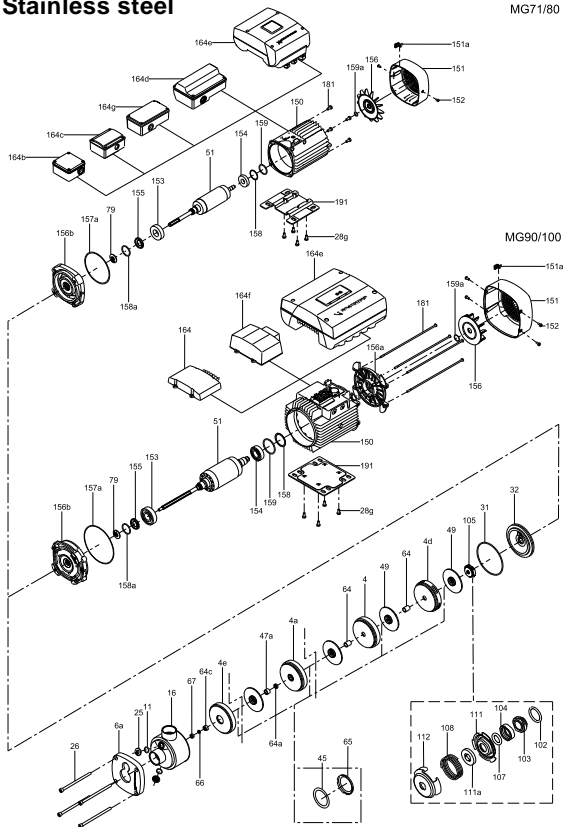
## Seal kit (I and G version)

| Pos. | Pump type               |          | CM1/3/5  |          |          |          |          |          |
|------|-------------------------|----------|----------|----------|----------|----------|----------|----------|
|      | Kit No                  |          | 96932438 | 96932440 | 96932441 | 98810275 | 98806252 | 98463764 |
|      | Description             | Material | AVBE/V   | AQQE/V   | AQKQ     | AQBE/V   | AUQE/V   | AQKQ/E/V |
| 102  | O-ring                  | EPDM     | 1        | 1        | -        | 1        | 1        | -        |
|      |                         | FKM      | 1        | 1        | -        | 1        | 1        | -        |
|      |                         | FFKM     | -        | -        | 1        | -        | -        | 1        |
| 103  | Stationary seal ring    | SIC      | -        | 1        | 1        | -        | 1        | 1        |
|      |                         | Carbon   | 1        | -        | -        | 1        | -        | -        |
| 104  | Rotating seal ring      | SIC      | -        | 1        | 1        | 1        | -        | 1        |
|      |                         | Al2O3    | 1        | -        | -        | -        | 1        | -        |
| 107  | O-ring                  | EPDM     | 1        | 1        | -        | 1        | 1        | -        |
|      |                         | FKM      | 1        | 1        | -        | 1        | 1        | -        |
|      |                         | FFKM     | -        | -        | 1        | -        | -        | 1        |
| 111  | Seal ring retainer      | -        | 1        | 1        | 1        | 1        | 1        | 1        |
| 108  | Spring                  | -        | 1        | 1        | 1        | 1        | 1        | 1        |
| 111a | Stop ring               | -        | 1        | 1        | 1        | 1        | 1        | 1        |
| 112  | Seal driver             | -        | 1        | 1        | 1        | 1        | 1        | 1        |
| 31   | O-ring                  | EPDM     | 1        | 1        | -        | 1        | 1        | 1        |
|      |                         | FKM      | 1        | 1        | -        | 1        | 1        | 1        |
|      |                         | FFKM     | -        | -        | 1        | -        | -        | -        |
| 64c  | Clamp                   | -        | 1        | 1        | 1        | 1        | 1        | 1        |
| 66   | Lock washer (Nord-lock) | -        | 1        | 1        | 1        | 1        | 1        | 1        |
| 67   | Nut                     | -        | 1        | 1        | 1        | 1        | 1        | 1        |

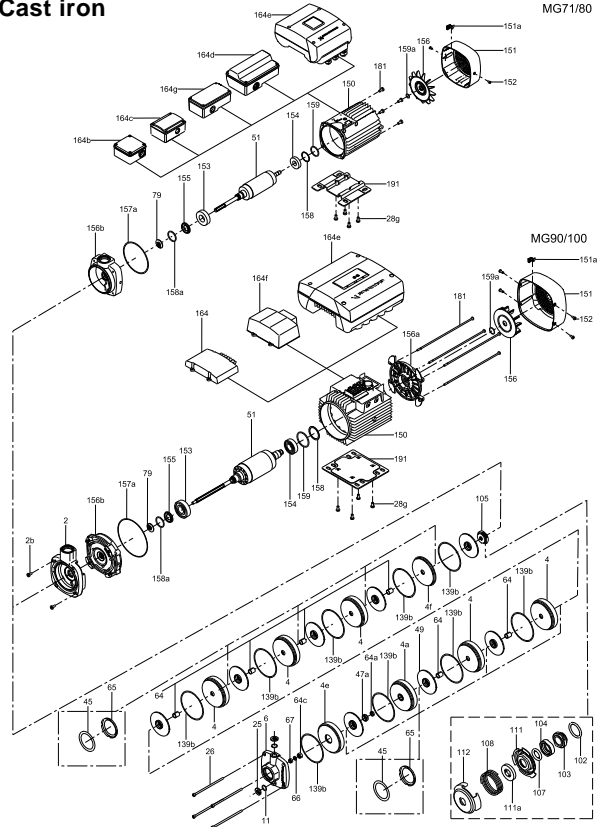
| Pos. | Pump type               |          | CM10/15/25 |          |          |          |          |          |
|------|-------------------------|----------|------------|----------|----------|----------|----------|----------|
|      | Kit No                  |          | 96932443   | 96932445 | 96932446 | 98821912 | 98821920 | 98463766 |
|      | Description             | Material | AVBE/V     | AQQE/V   | AQKQ     | AQBE/V   | AUQE/V   | AQKQ/E/V |
| 102  | O-ring                  | EPDM     | 1          | 1        | -        | 1        | 1        | -        |
|      |                         | FKM      | 1          | 1        | -        | 1        | 1        | -        |
|      |                         | FFKM     | -          | -        | 1        | -        | -        | 1        |
| 103  | Stationary seal ring    | SIC      | -          | 1        | 1        | -        | 1        | 1        |
|      |                         | Carbon   | 1          | -        | -        | 1        | -        | -        |
| 104  | Rotating seal ring      | SIC      | -          | 1        | 1        | 1        | -        | 1        |
|      |                         | Al2O3    | 1          | -        | -        | -        | 1        | -        |
| 107  | O-ring                  | EPDM     | 1          | 1        | -        | 1        | 1        | -        |
|      |                         | FKM      | 1          | 1        | -        | 1        | 1        | -        |
|      |                         | FFKM     | -          | -        | 1        | -        | -        | 1        |
| 111  | Seal ring retainer      | -        | 1          | 1        | 1        | 1        | 1        | 1        |
| 108  | Spring                  | -        | 1          | 1        | 1        | 1        | 1        | 1        |
| 111a | Stop ring               | -        | 1          | 1        | 1        | 1        | 1        | 1        |
| 112  | Seal driver             | -        | 1          | 1        | 1        | 1        | 1        | 1        |
| 31   | O-ring                  | EPDM     | 1          | 1        | -        | 1        | 1        | 1        |
|      |                         | FKM      | 1          | 1        | -        | 1        | 1        | 1        |
|      |                         | FFKM     | -          | -        | 1        | -        | -        | -        |
| 64c  | Clamp                   | -        | 1          | 1        | 1        | 1        | 1        | 1        |
| 66   | Lock washer (Nord-lock) | -        | 1          | 1        | 1        | 1        | 1        | 1        |
| 67   | Nut                     | -        | 1          | 1        | 1        | 1        | 1        | 1        |

CM 1, 3, 5

Stainless steel

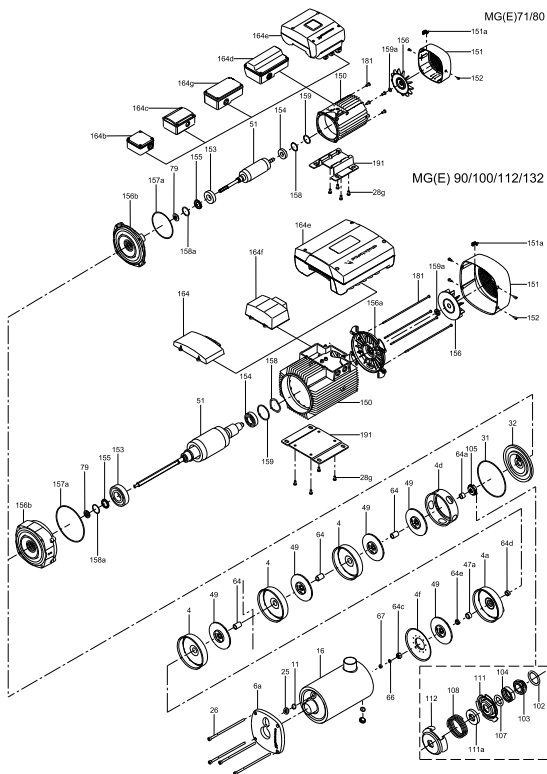


Cast iron

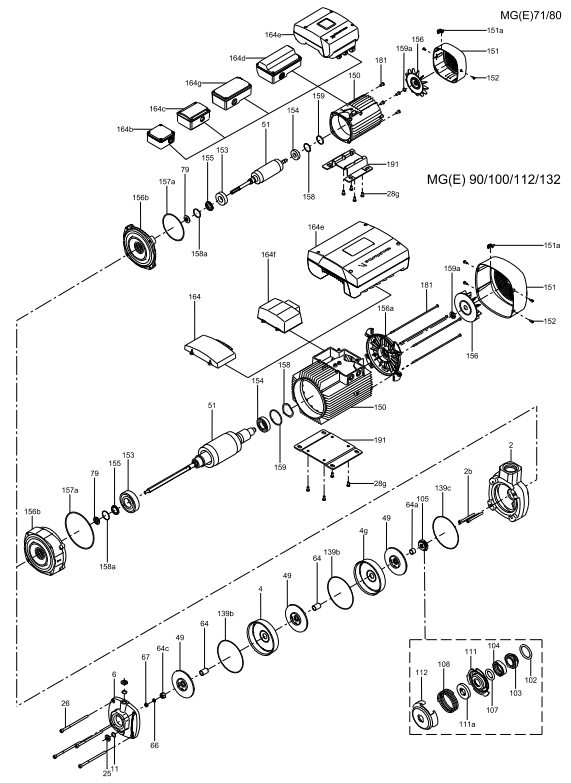


CM 10, 15, 25

Stainless steel



Cast iron



TM04 3588 4608 - TM04 3591 4608

TM04 3828 5108 - TM04 3829 5108

## CM Self priming

### 50/60 Hz

#### Valve kit

| Pos. | Kit No                     | 98519018 | 98519013 |
|------|----------------------------|----------|----------|
|      | Description                | 4 meters | 8 meters |
| 4e   |                            |          |          |
| 5d   | Chamber cpl. w. valve      | 1        | 1        |
| 5e   |                            |          |          |
| 64f  |                            |          |          |
| 64g  | Container with rubber seal | 1        | 1        |
| 5b   | Water trap                 | 1        | 1        |
| 5c   | O-ring EPDM 37.0 x 2.62    | 1        | 1        |

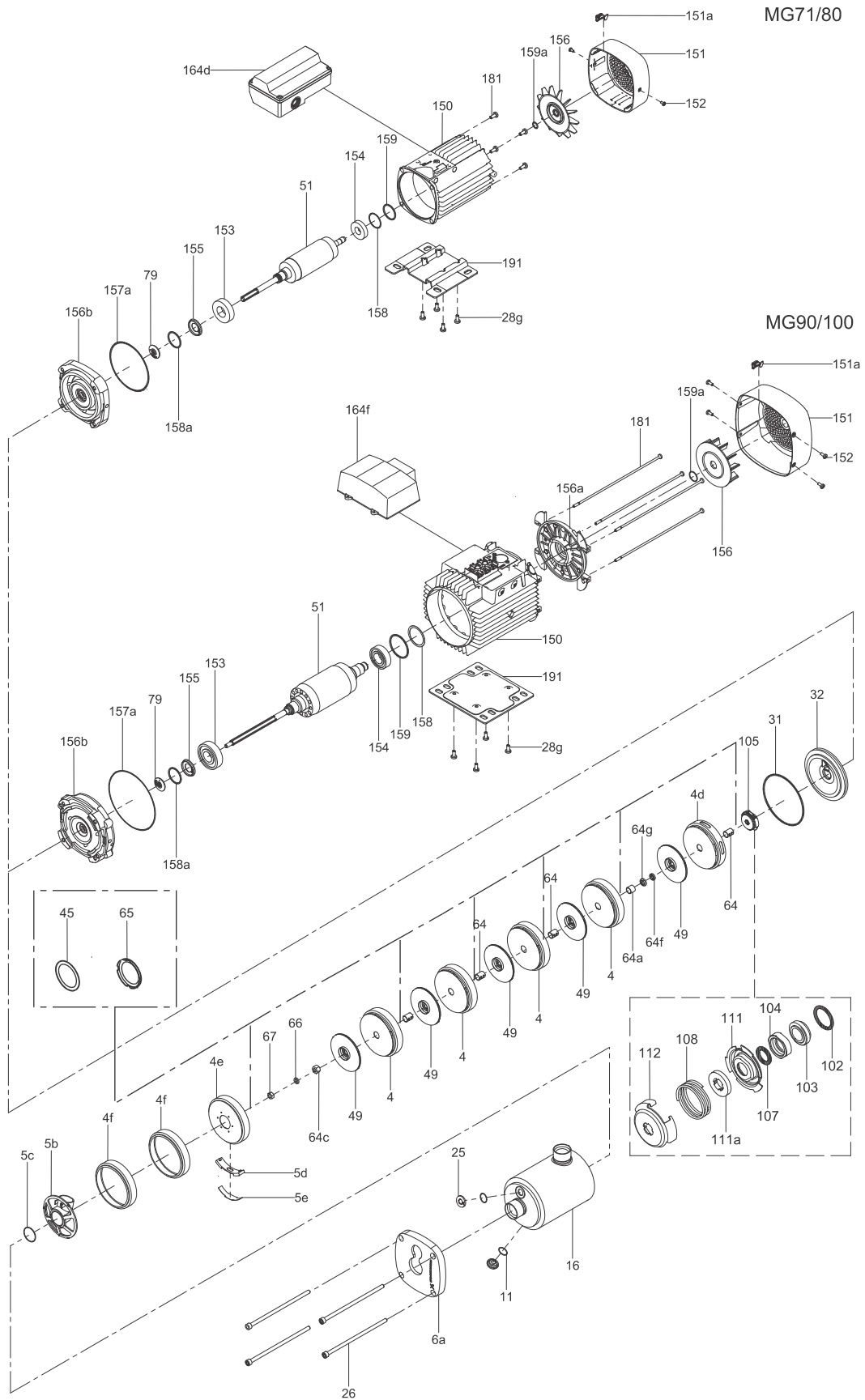
#### Spares

| Pos. | Description                  | Kit No   |
|------|------------------------------|----------|
| 4d   | Spare, Air separator chamber | 98520101 |
| 4f   | Spare, Empty chamber 27mm    | 98520102 |
| 4f   | Spare, Empty chamber 18mm    | 98520103 |
| 64a  | Spare, Spacing pipe 13mm     | 98520104 |

#### Spare sleeves

| Pos. | Description               | Kit No   | Model / Version / Qty |
|------|---------------------------|----------|-----------------------|
|      | Sleeve CM1/3-7 Rp thread  | 98470942 | CM-SP 1/3/5-3/4       |
| 16   | Sleeve CM1/3-9 Rp thread  | 98470943 | CM-SP 1/3/5-5/6       |
|      | Sleeve CM1/3-11 Rp thread | 98470949 | CM-SP 5-7             |

CM Self priming



CM Self priming CM, CME and Boosters

TM05 8836 4913



## CME Booster

### 50/60 Hz

#### Sensor kit

| Pos. | Kit No                   | 98906904 | 98906905 |
|------|--------------------------|----------|----------|
|      | Sensor thread            | Rp       | NPT      |
| 3A   | Sensor MBS 1900 0-10 bar | 1        | 1        |

#### Pressure tank

| Pos. | Kit No                            | 98906908 | 98906909 |
|------|-----------------------------------|----------|----------|
|      | Tank thread                       | Rp       | NPT      |
| 1    | 2 liter GT-H tank with Rp thread  | 1        | -        |
| 1    | 2 liter GT-H tank with NPT thread | -        | 1        |

#### Manometer

| Pos. | Kit No              | 98906914 | 98906915 |
|------|---------------------|----------|----------|
|      | Manometer thread    | Rp       | NPT      |
| 2    | Manometer 0-16 bar  | 1        | -        |
| 2    | Manometer 0-200 PSI | -        | 1        |

#### Non return valve (RP and NPT)

| Pos. | Kit No     | 98906916 | 98906917 |
|------|------------|----------|----------|
|      | Valve size | 1"       | 1 1/2"   |
| 4A   | Gate       | 1        | 1        |
| 4B   | Spring     | 1        | 1        |
| 4C   | O-ring     | 1        | 1        |
| 4E   | Washer     | -        | 1        |

### German version with inlet pressure switch

#### Sensor kit

| Pos. | Kit No        | 99010689 |
|------|---------------|----------|
|      | Sensor thread | Rp       |
| 3A   | Sensor        | 1        |

#### Inlet pressure switch

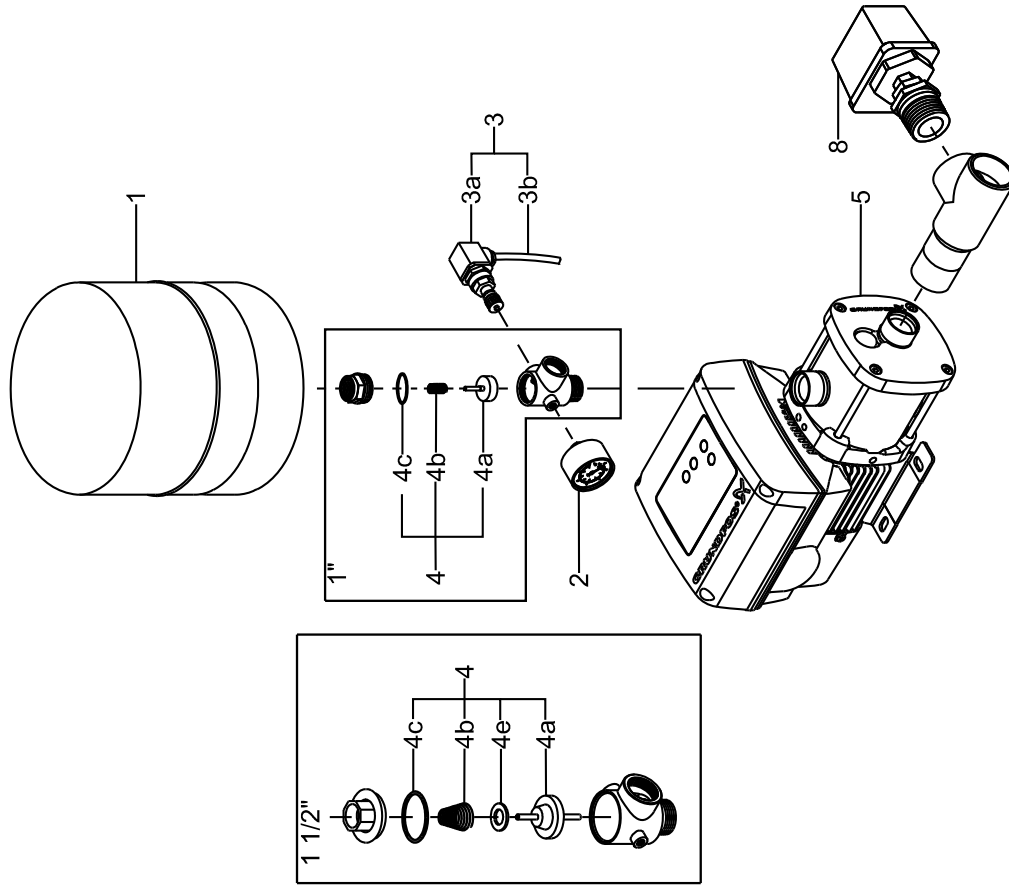
| Pos. | Kit No                | 99010690 |
|------|-----------------------|----------|
|      | Thread                | Rp       |
| 8    | Inlet pressure switch | 1        |

#### Manometer

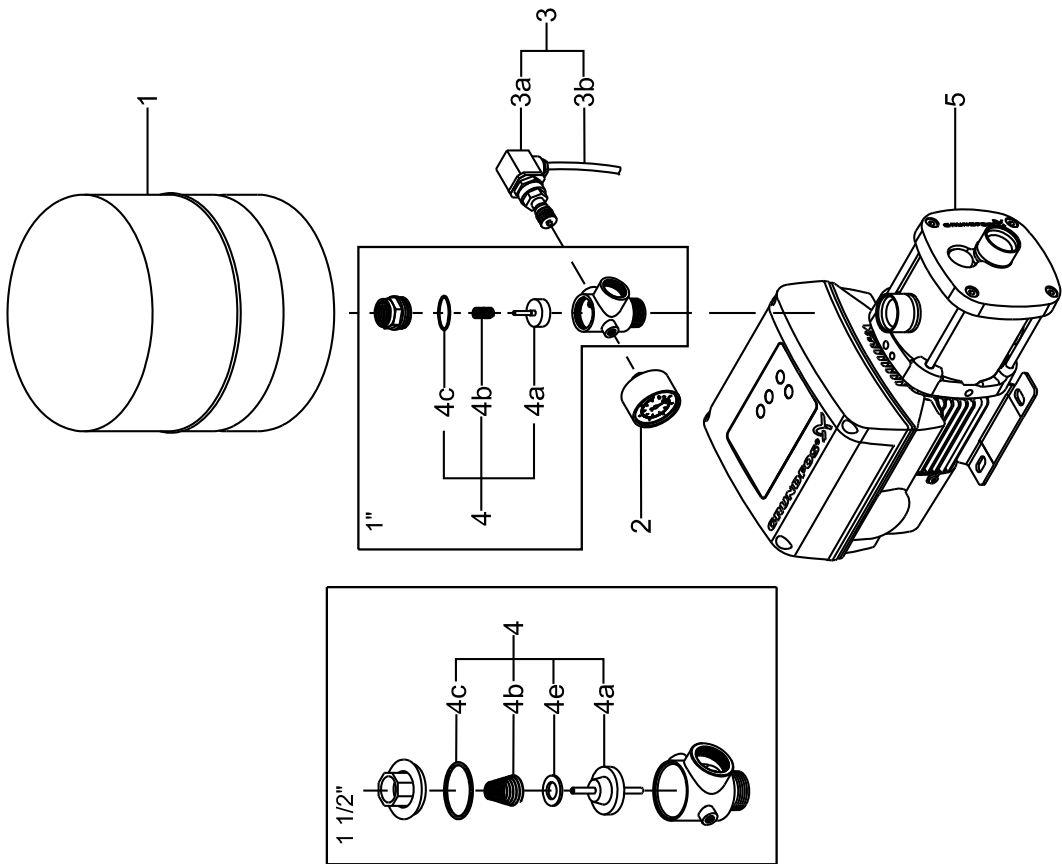
| Pos. | Kit No           | 99010691 |
|------|------------------|----------|
|      | Manometer thread | Rp       |
| 2    | Manometer        | 1        |

CME Booster

CMBE German version



CMBE



TM06 4097 3115

## CM Booster PT, PS

### 50/60 Hz

#### Pressure switch kit

| Pos. | Kit No          | 98906906 | 98906907 |
|------|-----------------|----------|----------|
|      | Model           | CMB PS   | CMB PT   |
| 3    | Pressure switch | 1        | 1        |

#### Pressure tank

| Pos. | Kit No             | 98906910 | 98906911 | 98906912 |
|------|--------------------|----------|----------|----------|
|      | Model              | CMB PT   | CMB PT   | CMB PT   |
| 1    | 24 liter GT-H tank | 1        | -        | -        |
| 1    | 60 liter GT-H tank | -        | 1        | -        |
| 1    | 18 liter GT-H tank | -        | -        | 1        |
| 4B   | Gasket             | 2        | 2        | 2        |

#### Manometer

| Pos. | Kit No    | 98906913        |
|------|-----------|-----------------|
|      | Model     | CMB PT / CMB PS |
| 2    | Manometer | 1               |

#### Hose, kits

| Pos. | Kit No        | 98906918   | 98906919 |          |
|------|---------------|------------|----------|----------|
|      | Model         | CMB PT     | CMB PT   |          |
|      |               | Tanks size | 24 liter | 60 liter |
| 6A   | Flexible pipe | 1          | -        |          |
| 6A   | Rubber hose   | -          | 1        |          |
| 6B   | Gasket        | 1          | 1        |          |

#### Non return valve (RP and NPT)

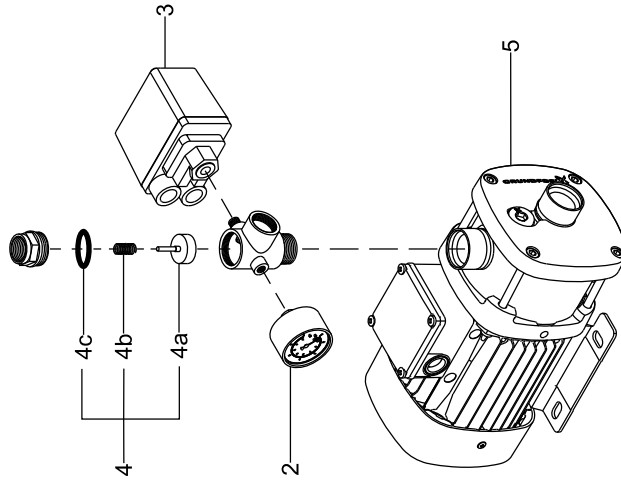
| Pos. | Kit No | 98906916   | 98906917 |        |
|------|--------|------------|----------|--------|
|      | Model  | CMB PS     | CMB PS   |        |
|      |        | Valve size | 1"       | 1 1/2" |
| 4A   | Gate   | 1          | 1        |        |
| 4B   | Spring | 1          | 1        |        |
| 4C   | O-ring | 1          | 1        |        |
| 4D   | Gasket | 1          | -        |        |
| 4E   | Washer | -          | 1        |        |

## CMB PM1, CMB PM2

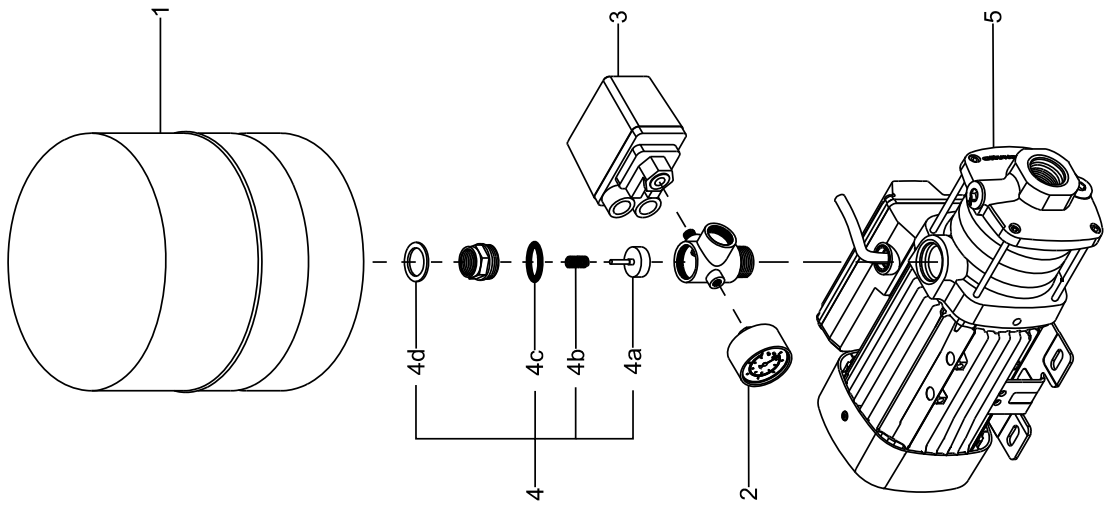
See *Pressure Manager* page 846 for PM parts.

CM Booster

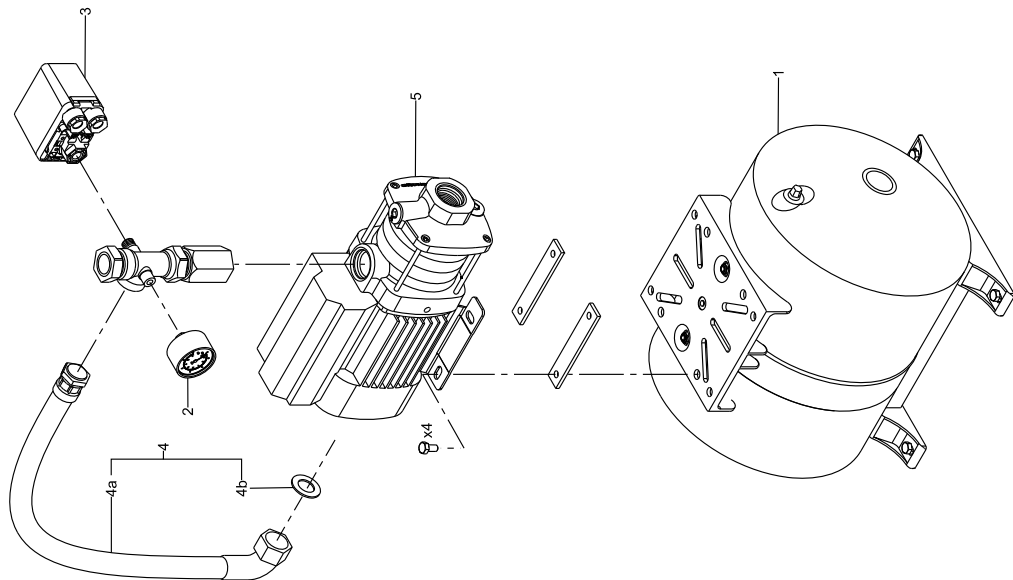
CMB PS



CMB PT (vertical tank)



CMB PT (Horizontal tank)



TM06 4098 3115 - TM06 3604 2815 - TM06 4362 2615